

V-600

1. Specification

Specification:	V-600H	V-600A	V-600P
Frequency range:	44.736 ... 90.0 MHz	90.0 ... 155.52 MHz	44.736 ... 155.52 MHz
Nominal freq. tol. $U_C = 2.5 V$, $T = 25 \pm 3^\circ C$:	< ± 10 ppm		
Frequency stability in the temp. range $-20^\circ C$ to $+70^\circ C$: vs. supply voltage changes $U_B \pm 5\%$: vs. load changes $\pm 5\%$:	< ± 15 ppm < ± 3 ppm < ± 2 ppm	< ± 15 ppm < ± 1 ppm < ± 2 ppm	< ± 15 ppm < ± 1 ppm < ± 0.5 ppm
Aging @ $25^\circ C$:	< ± 5 ppm first year / < ± 2 ppm fol. years		
Frequency control range / control voltage:	$\geq \pm 100$ ppm / 0.5 V to 4.5 V		
Transfer function / Linearity:	positive / 15 %		
Supply voltage U_B :	5 V $\pm 5\%$		
Current consumption: $f \leq 68.736$: $f > 68.736$	≤ 40 mA ≤ 50 mA	≤ 35 mA	≤ 70 mA ≤ 70 mA
Output voltage : load : load V-600H > 85MHz duty cycle :	HCMOS 1 kOhm // 15 pF 1 kOhm // 10 pF 40 / 60 %	HCMOS 1 kOhm // 10 pF 45 / 55 %	PECL 100k 50 Ohm 40 / 60%
Temperature ranges Operating: Operable: Storage:	$-20^\circ C$... $+70^\circ C$ $-25^\circ C$... $+75^\circ C$ $-40^\circ C$... $+85^\circ C$		

2. Environmental conditions

Shock:	DIN IEC 68-2-27, Test Ea, 100 g, 6ms Half-sine, 3 bumps in 3 main directions
Vibration:	DIN IEC 68-2-6, Test Fc, 10-500Hz, 10g, 2 h in 3 main directions
Humidity:	DIN IEC 68-2-3, $40^\circ C/93\%RH$, 21 days
Solderability:	DIN IEC 68-2-20 only for wire leads, Methode 3: Solder globule at $+235^\circ C$



www.vecatron.com

USA: Vectron International • 166 Glover Avenue, Norwalk, CT 06856 • Tel: 1-88-VECTRON-1 • Fax: 1-888-FAX-VECTRON
 EUROPE: In Denmark, Finland, Ireland, Italy, Israel, Norway, Spain, UK: Tel: 44(0) 1703 766 288 • Fax: 44 (0) 1703 766 822
 In Austria, Belgium, France, Germany, Luxembourg, Netherlands, Sweden, Switzerland: Tel: 49 (0) 72 63 648 0 • Fax: 49(0) 72 63 619 6
 ASIA: In China, Taiwan, Japan: Tel: 1-603-598-0075 • In Korea, Singapore, Australia, India: Tel: 1-203-853-4433 • Fax: 1-203-849-1423

Vectron International reserves the right to make changes to the product(s) and/or information contained herein without notice.
 No liability is assumed as a result of their use or application.
 No rights under any patent accompany the sale of any such product(s) or information.

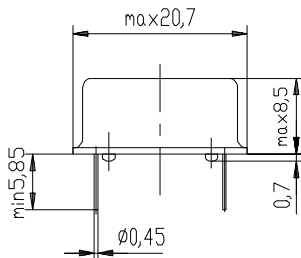
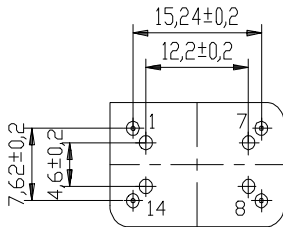
3. Marking

Manufacturer's name,
date code(week/year);
Specification;

Center frequency

4. Case

Case style: BF-100 not hermetically sealed

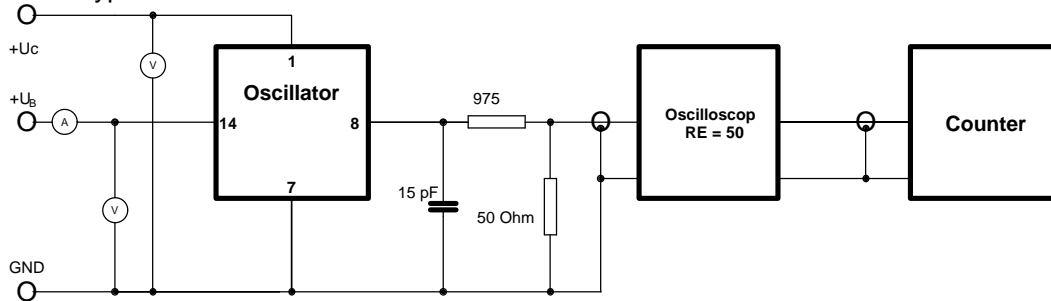


1.Pin configuration

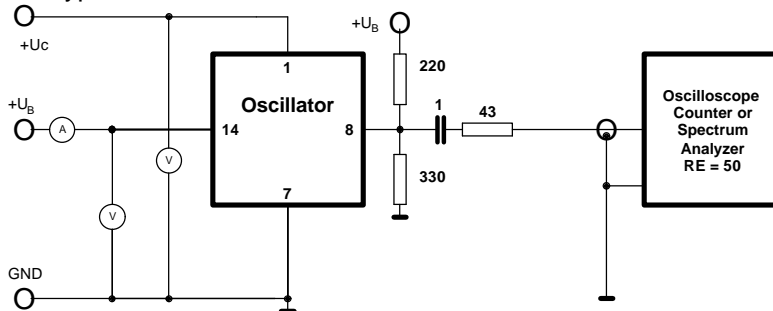
- 1. Control voltage U_C
- 7. Ground, case
- 8. RF-output
- 14. Supply voltage U_B

5. Test circuit

HCMOS Type H :



PECL Type P:



USA: Vectron International • 166 Glover Avenue, Norwalk, CT 06856 • Tel: 1-88-VECTRON-1 • Fax: 1-888-FAX-VECTRON
 EUROPE: In Denmark, Finland, Ireland, Italy, Israel, Norway, Spain, UK: Tel: 44(0) 1703 766 288 • Fax: 44 (0) 1703 766 822
 In Austria, Belgium, France, Germany, Luxembourg, Netherlands, Sweden, Switzerland: Tel: 49 (0) 72 63 648 0 • Fax: 49(0) 72 63 619 6
 ASIA: In China, Taiwan, Japan: Tel: 1-603-598-0075 • In Korea, Singapore, Australia, India: Tel: 1-203-853-4433 • Fax: 1-203-849-1423

Vectron International reserves the right to make changes to the product(s) and/or information contained herein without notice.
 No liability is assumed as a result of their use or application.
 No rights under any patent accompany the sale of any such product(s) or information.