

SPECIFICATIONS

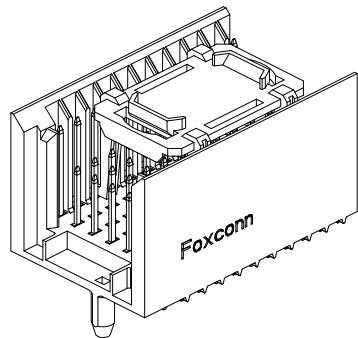
Mechanical
Contact Retention Force: 0.5Kg min.

Electrical
Voltage Rating: 500V
Current Rating: 1A
Contact Resistance: 20mΩ max.
Dielectrical Withstanding Voltage: 750V
Insulation Resistance: 1000MΩ min.

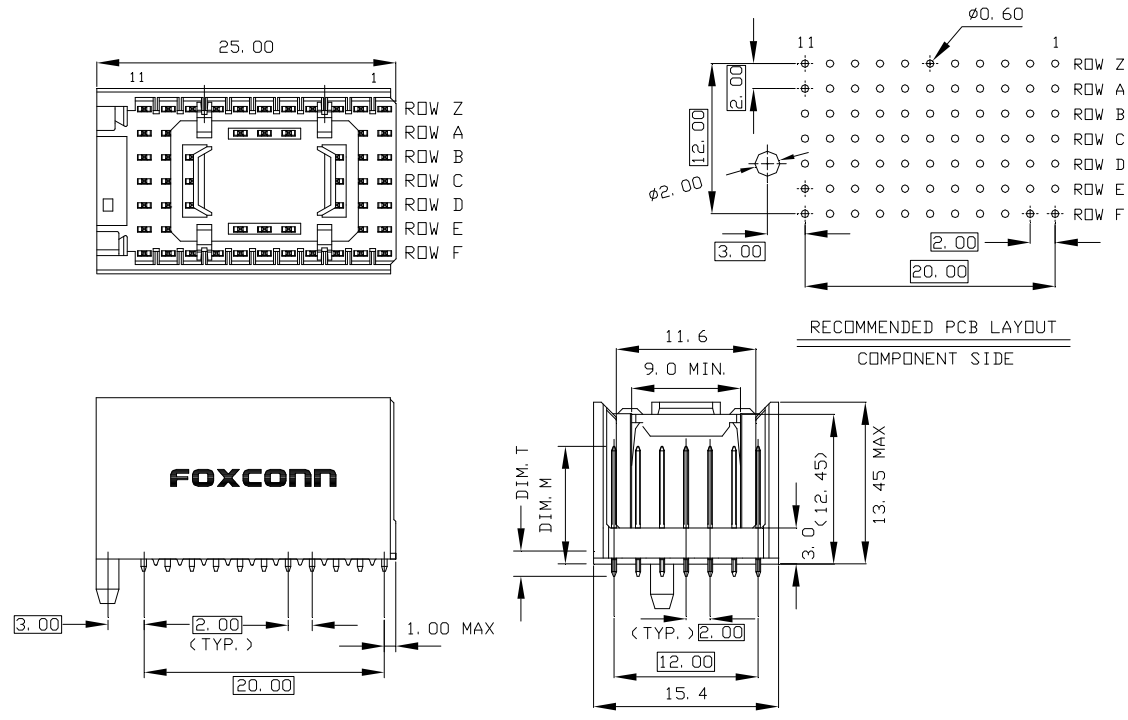
Physical
Housing: HTN, UL 94-0, Gray
Contact: Phosphor Bronze
Plating: See "ORDERING INFORMATION"

HARD METRIC CONNECTOR

2H Series
Hard Metric Header Type C
Solder Type
2.0mm Pitch
5+2 Row



DRAWING



ORDERING INFORMATION

PRODUCT NO.: 2H1* * * * - * 3 1 0 1

