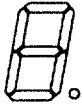
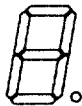
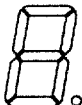
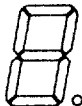


# LED DISPLAY

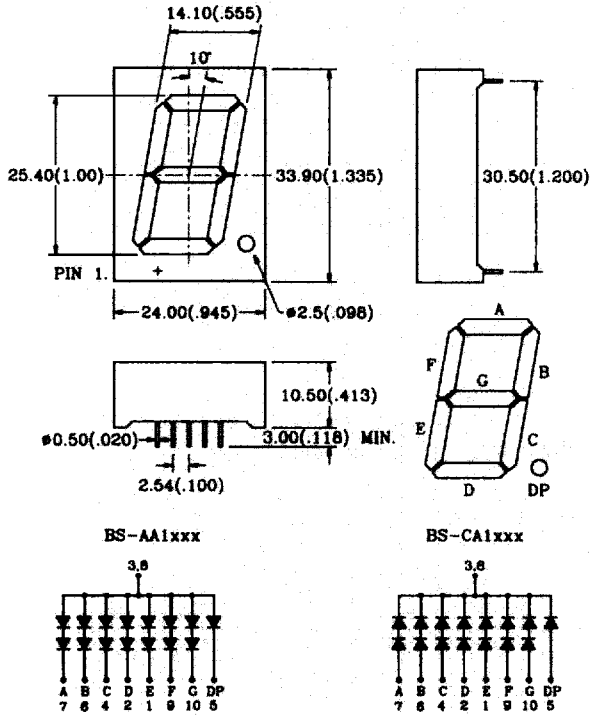
## SINGLE DIGIT LED DISPLAYS

Digit Size	Part No.		Chip		Absolute Maximum Ratings				Electro-optical Data(At 10mA)			Drawing No.	
	Common Anode	Common Cathode	Emitted Color	Peak Wave Length $\lambda$ P(nm)	$\Delta \lambda$ (nm)	Pd (mW)	If(mA)	Peak If(mA)	Vf(V)		Iv Typ. Per Seg. (mcd)		
									Typ.	Max.			
	1.00"	BS-AA11RD	BS-CA11RD	Red	655	40	180	40	200	3.2	4.0	2.5	SD-13
		BS-AA15RD	BS-CA15RD	Bright Red	700	90	90	15	50	4.2	5.0	3.5	
		BS-AA15RE	BS-CA15RE										
		BS-AA12RD	BS-CA12RD	Green	568	30	180	30	150	4.2	5.0	5.0	
		BS-AA13RD	BS-CA13RD	Yellow	585	35	180	30	150	4.0	5.0	4.0	
		BS-AA14RD	BS-CA14RD	Hi-Eff Red	635	45	180	30	150	3.8	5.0	5.0	
				Orange									
BS-AA16RD	BS-CA16RD	Super Red	660	20	110	20	150	3.4	5.0	10.0			
	1.00"	BS-AA31RD	BS-CA31RD	Red	655	40	180	40	200	3.2	4.0	2.5	SD-14
		BS-AA35RD	BS-CA35RD	Bright Red	700	90	90	15	50	4.2	5.0	3.5	
		BS-AA35RE	BS-CA35RE										
		BS-AA32RD	BS-CA32RD	Green	568	30	180	30	150	4.2	5.0	5.0	
		BS-AA33RD	BS-CA33RD	Yellow	585	35	180	30	150	4.0	5.0	4.0	
		BS-AA34RD	BS-CA34RD	Hi-Eff Red	635	45	180	30	150	3.8	5.0	5.0	
				Orange									
BS-AA36RD	BS-CA36RD	Super Red	660	20	110	20	150	3.4	5.0	10.0			
	1.20"	BS-AB11RD	BS-CB11RD	Red	655	40	180	40	200	3.2	4.0	3.0	SD-15
		BS-AB15RD	BS-CB15RD	Bright Red	700	90	90	15	50	4.2	5.0	4.0	
		BS-AB15RE	BS-CB15RE										
		BS-AB12RD	BS-CB12RD	Green	568	30	180	30	150	4.2	5.0	6.0	
		BS-AB13RD	BS-CB13RD	Yellow	585	35	180	30	150	4.0	5.0	5.0	
		BS-AB14RD	BS-CB14RD	Hi-Eff Red	635	45	180	30	150	3.8	5.0	6.0	
				Orange									
BS-AB16RD	BS-CB16RD	Super Red	660	20	110	20	150	3.4	5.0	12.0			
	1.20"	BS-AB21RD	BS-CB21RD	Red	655	40	180	40	200	3.2	4.0	3.0	SD-16
		BS-AB25RD	BS-CB25RD	Bright Red	700	90	90	15	50	4.2	5.0	4.0	
		BS-AB25RE	BS-CB25RE										
		BS-AB22RD	BS-CB22RD	Green	568	30	180	30	150	4.2	5.0	6.0	
		BS-AB23RD	BS-CB23RD	Yellow	585	35	180	30	150	4.0	5.0	5.0	
		BS-AB24RD	BS-CB24RD	Hi-Eff Red	635	45	180	30	150	3.8	5.0	6.0	
				Orange									
BS-AB26RD	BS-CB26RD	Super Red	660	20	110	20	150	3.4	5.0	12.0			

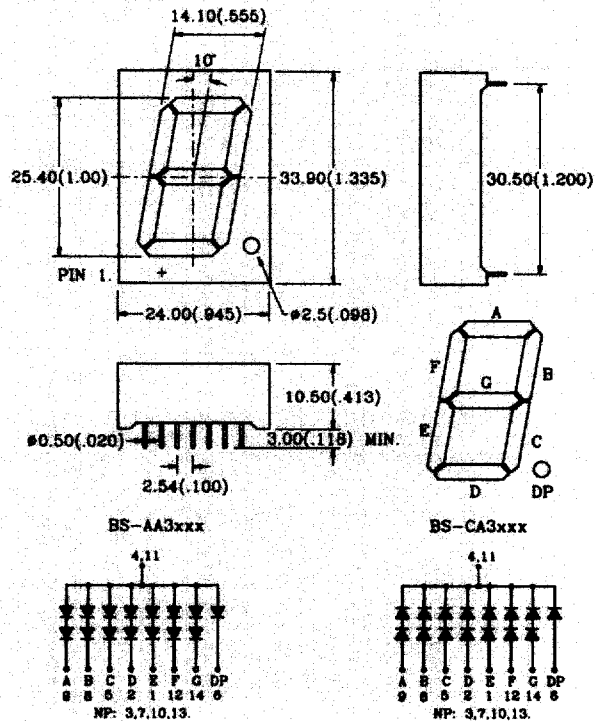
Remark: - The average luminous intensity is obtained by summing the luminous intensity of each segment and dividing by total number of segments.  
 - Above part numbers are all with black surface and white segment. For part numbers with other surface and segment color combinations, please check the selection guide/Part number system).

# LED DISPLAY

## SD-13 BS-A1xxx Series



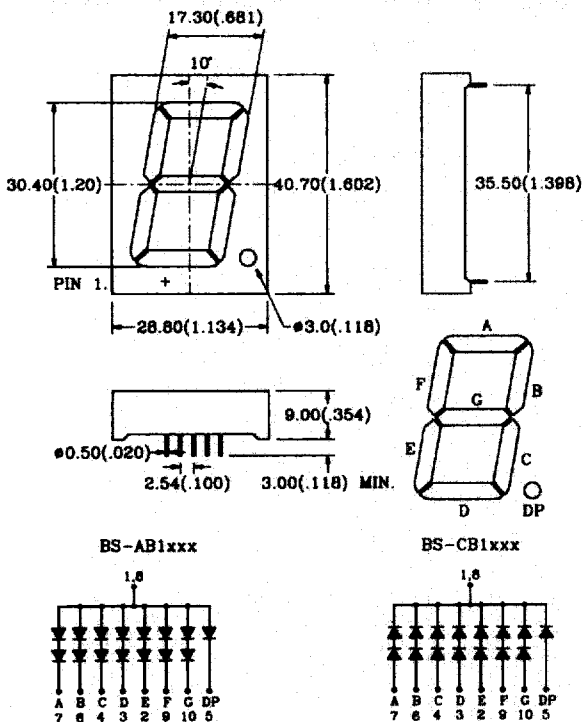
## SD-14 BS-A3xxx Series



### NOTES:

1. All Dimensions are in millimeters (inches).
2. Tolerance is  $\pm 0.25\text{mm}$  (.010") unless otherwise specified.
3. Specifications are subject to change without notice.
4. NP: No Pin.
5. NC: No Connect

## SD-15 BS-B1xxx Series



## SD-16 BS-B2xxx Series

