



MODULAR TELECOMMUNICATIONS CONNECTORS

CENTURY INTERCONNECT PRODUCTS (203) 375-5344 FAX (203) 375-1631

SPECIFICATIONS



UL FILE NUMBER: E163981

CUL FILE NUMBER: E163981

Electrical:

Insulation Resistance: 10 mOhms min.

Withstanding Voltage: AC1000 for 1 minute

Contact Resistance: 20 mOhms max.

Current Rating: 1.5A minimum

Contact Material: Phosphor Bronze, .018 dia.
(Series C004, C005, C006, C012, C022, C031, C032 are phosphor bronze, .014 dia.)

Contact Plating:
.018 Dia. Wires: Gold over 100μ" nickel
.014 Dia. Wires: Selective gold over nickel

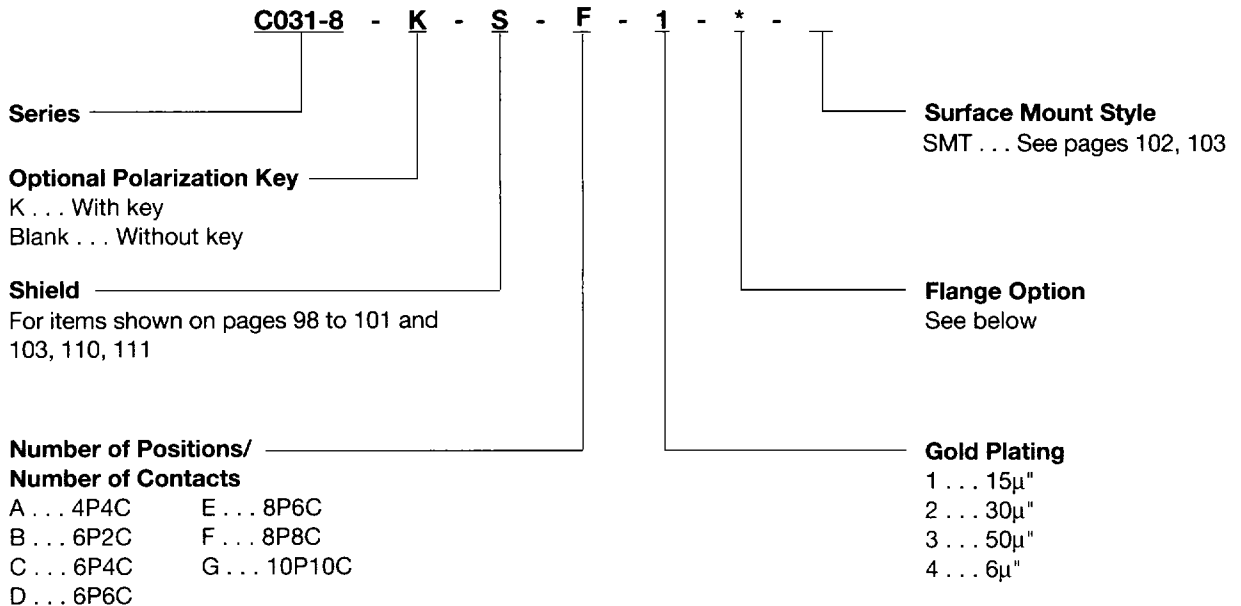
Mechanical:

Housing Material: ABS Resin (UL94V-0) /
Glass reinforced Nylon 66 (UL94V-0)

Wire Style: UL1061, PVC insulation

Metal Foot: Tin plated brass, .020 thickness

ORDERING INFORMATION: MODULAR JACKS



* Series C004, C005 and C006 are available without flange option.
Add NF to part number if flanges are not required.
Series C007, C008 and C031 are available with flange option.
Add F to part number if flanges are required.

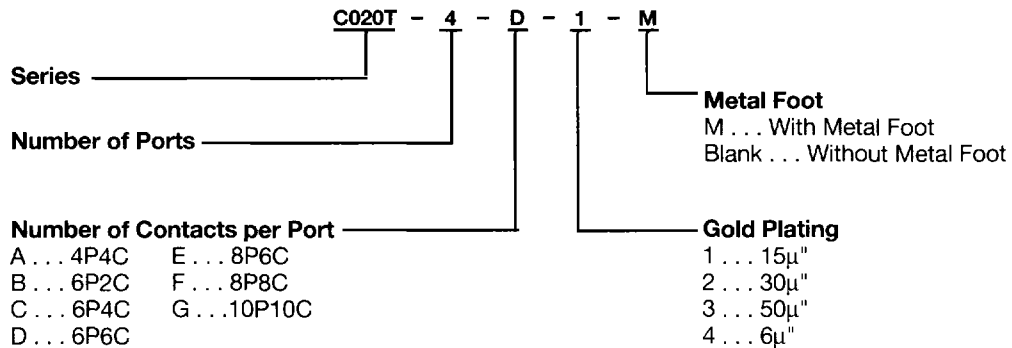
Leave blank for all other series.



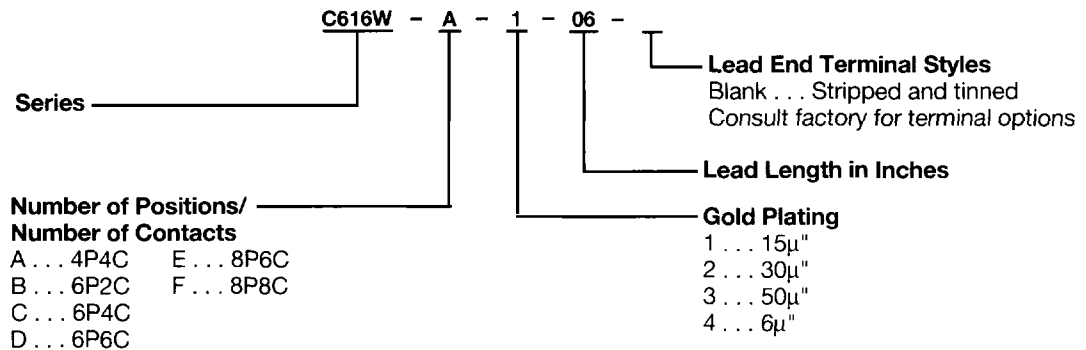
MODULAR TELECOMMUNICATIONS CONNECTORS

CENTURY INTERCONNECT PRODUCTS (203) 375-5344 FAX (203) 375-1631

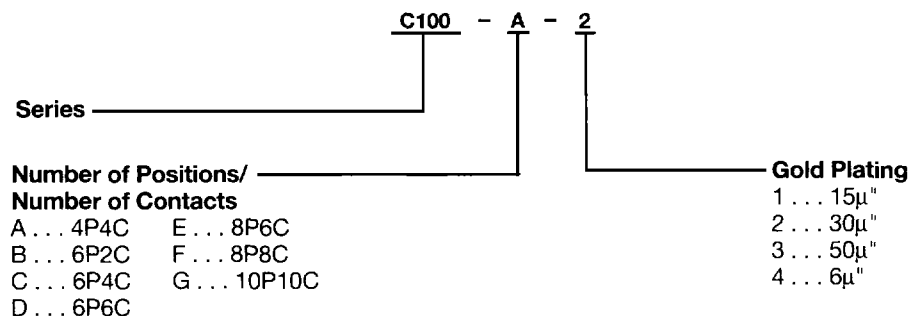
ORDERING INFORMATION: GANG JACKS



ORDERING INFORMATION: WIRE LEAD JACKS



ORDERING INFORMATION: PLUGS





MODULAR JACKS, PCB MOUNT

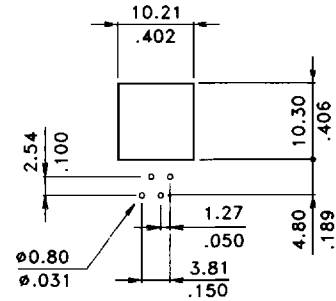
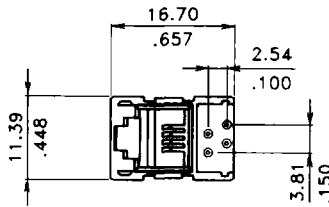
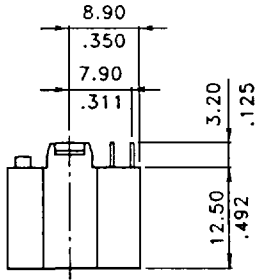
CENTURY INTERCONNECT PRODUCTS (203) 375-5344 FAX (203) 375-1631

C001

BOTTOM ENTRY PCB JACK

(4 POSITION)

STANDARD COLOR: BLACK



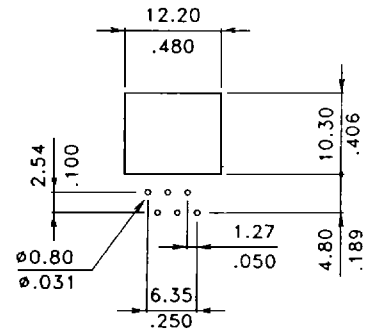
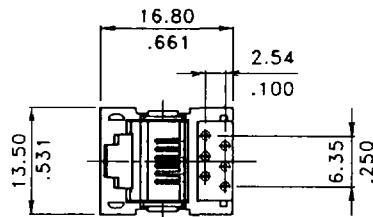
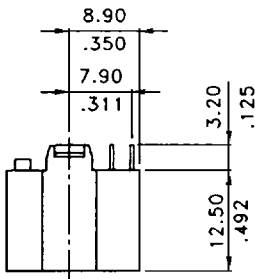
PCB LAYOUT

C002

BOTTOM ENTRY PCB JACK

(6 POSITION)

STANDARD COLOR: BLACK



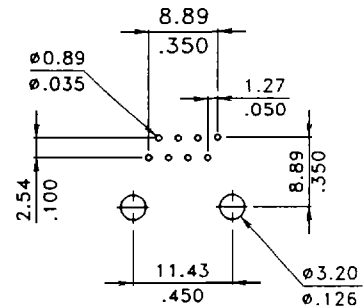
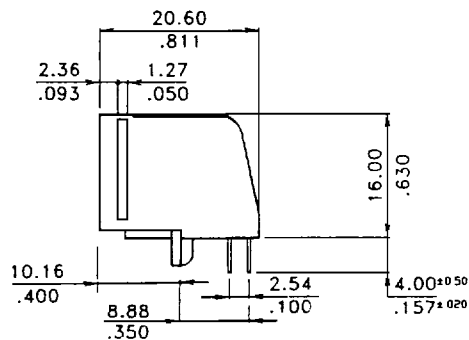
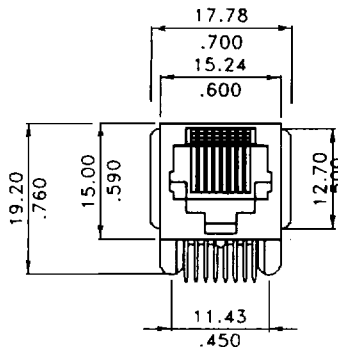
PCB LAYOUT

C004, C004K

SIDE ENTRY PCB JACK

(8 POSITION)

STANDARD COLOR: BLACK
ALSO AVAILABLE WITHOUT FLANGE



PCB LAYOUT

SEE PAGE 80 FOR ORDERING INFORMATION



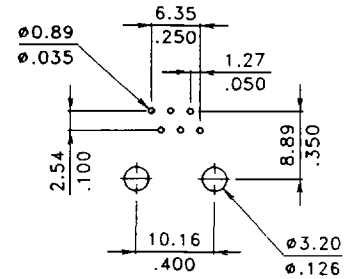
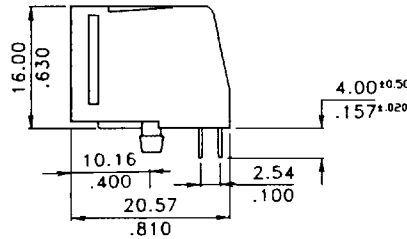
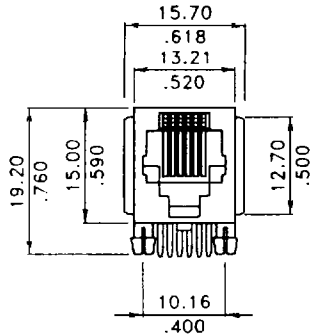
MODULAR JACKS, PCB MOUNT

CENTURY INTERCONNECT PRODUCTS (203) 375-5344 FAX (203) 375-1631

C005, C005DEC

SIDE ENTRY PCB JACK
STANDARD COLOR: BLACK
ALSO AVAILABLE WITHOUT FLANGE

(6 POSITION)

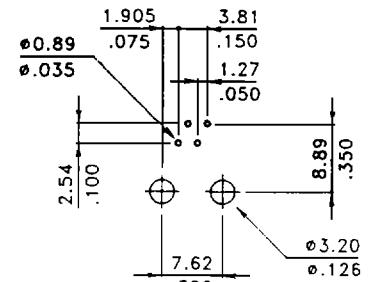
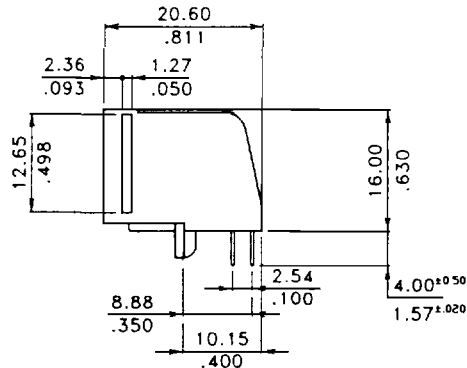
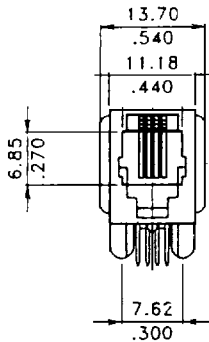


PCB LAYOUT

C006

SIDE ENTRY PCB JACK
STANDARD COLOR: BLACK
ALSO AVAILABLE WITHOUT FLANGE

(4 POSITION)

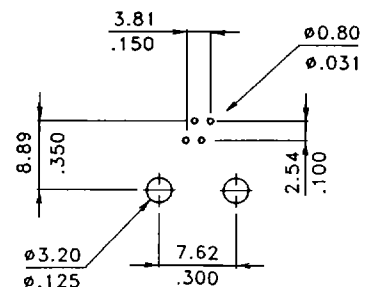
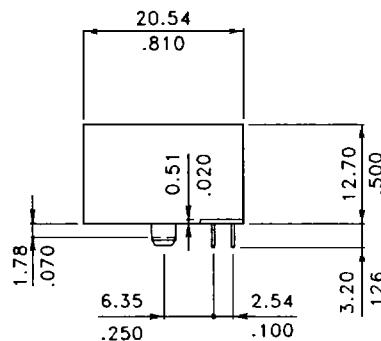
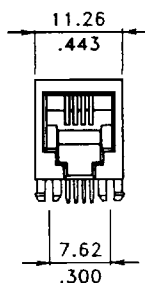


PCB LAYOUT

C007-4

SIDE ENTRY PCB JACK
STANDARD COLOR: BLACK
ALSO AVAILABLE WITH FLANGE

(4 POSITION)



PCB LAYOUT

SEE PAGE 80 FOR ORDERING INFORMATION



MODULAR JACKS, PCB MOUNT

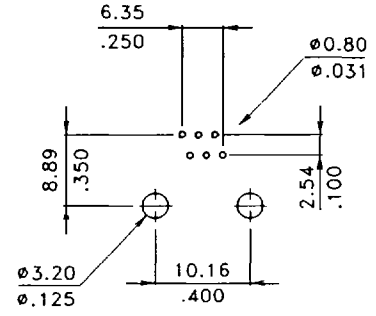
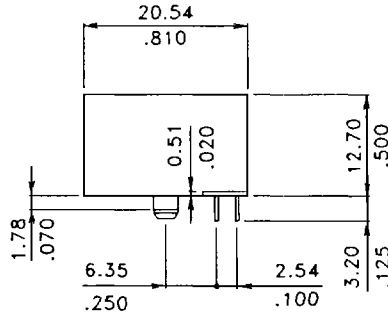
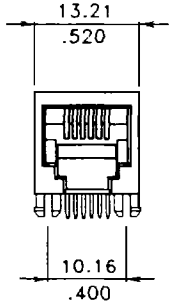
CENTURY INTERCONNECT PRODUCTS (203) 375-5344 FAX (203) 375-1631

C007-6

SIDE ENTRY PCB JACK

STANDARD COLOR: BLACK
ALSO AVAILABLE WITH FLANGE

(6 POSITION)



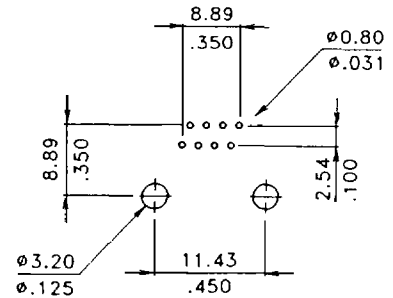
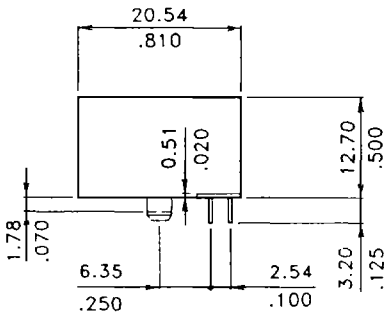
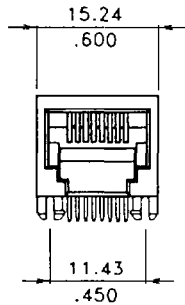
PCB LAYOUT

C008-8, C008-8K

SIDE ENTRY PCB JACK

STANDARD COLOR: BLACK
ALSO AVAILABLE WITH FLANGE

(8 POSITION)



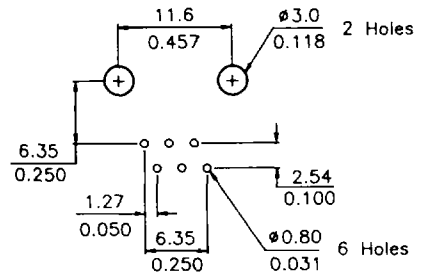
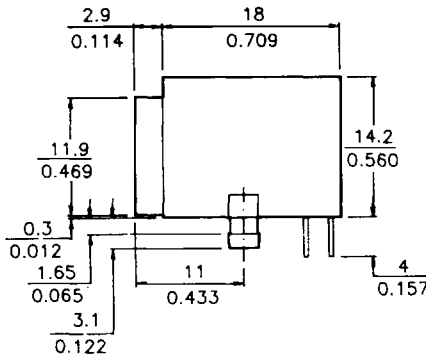
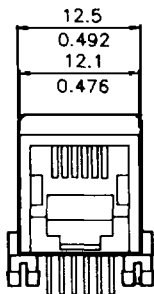
PCB LAYOUT

C009

SIDE ENTRY PCB JACK

STANDARD COLOR: MEDIUM GRAY

(6 POSITION)



**PCB LAYOUT
(TOP VIEW)**

SEE PAGE 80 FOR ORDERING INFORMATION



MODULAR JACKS, PCB MOUNT

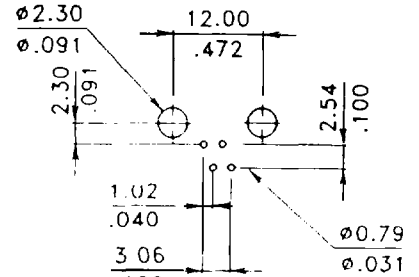
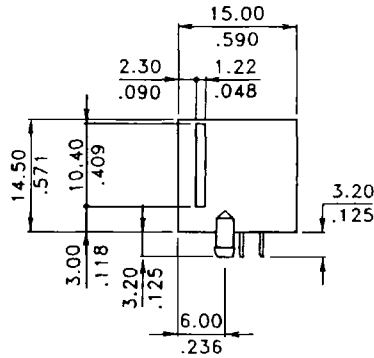
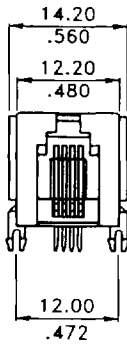
CENTURY INTERCONNECT PRODUCTS (203) 375-5344 FAX (203) 375-1631

C010-4

LOW PROFILE PCB JACK WITH FLANGE

(4 POSITION)

STANDARD COLOR: MEDIUM GRAY



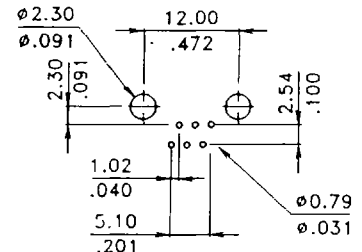
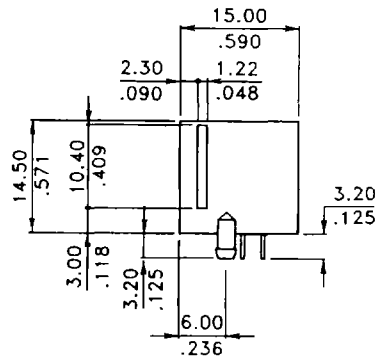
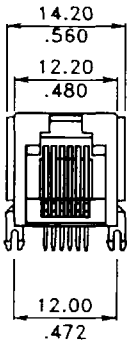
PCB LAYOUT

C010-6

LOW PROFILE PCB JACK WITH FLANGE

(6 POSITION)

STANDARD COLOR: MEDIUM GRAY



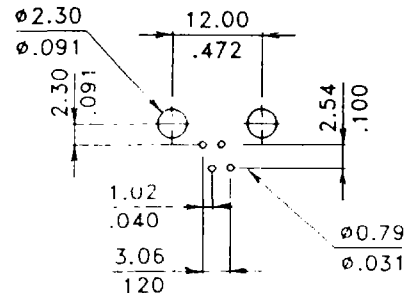
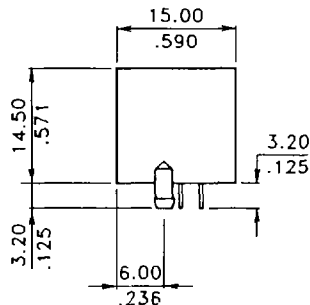
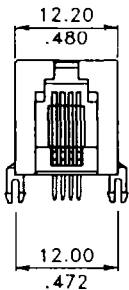
PCB LAYOUT

C011-4

LOW PROFILE PCB JACK WITHOUT FLANGE

(4 POSITION)

STANDARD COLOR: MEDIUM GRAY



PCB LAYOUT

SEE PAGE 80 FOR ORDERING INFORMATION



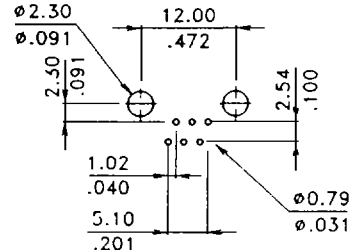
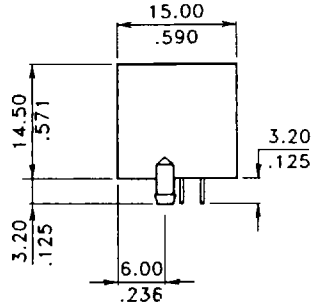
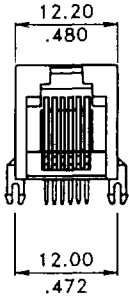
MODULAR JACKS, PCB MOUNT

CENTURY INTERCONNECT PRODUCTS (203) 375-5344 FAX (203) 375-1631

C011-6

**LOW PROFILE PCB JACK
WITHOUT FLANGE**
STANDARD COLOR: MEDIUM GRAY

(6 POSITION)

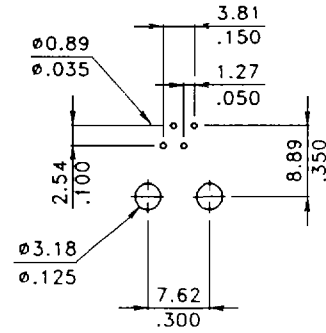
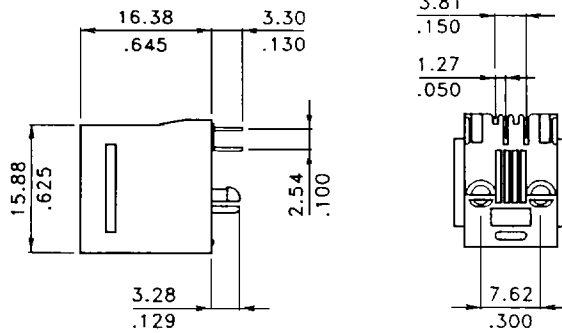
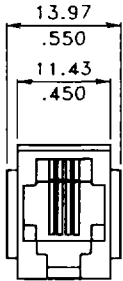


PCB LAYOUT

C012-4

TOP ENTRY PCB JACK
STANDARD COLOR: BLACK

(4 POSITION)

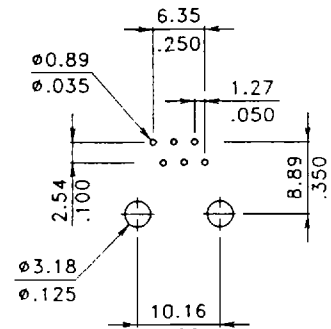
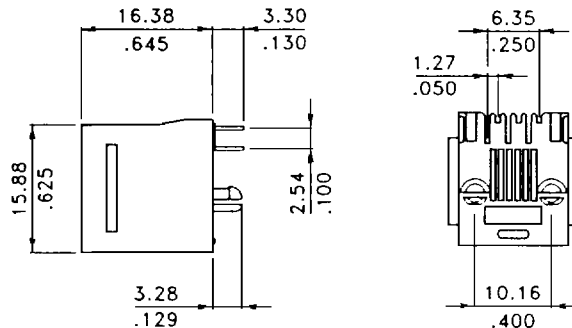
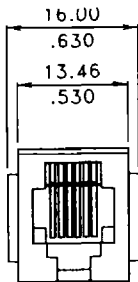


PCB LAYOUT

C012-6

TOP ENTRY PCB JACK
STANDARD COLOR: BLACK

(6 POSITION)



PCB LAYOUT

SEE PAGE 80 FOR ORDERING INFORMATION



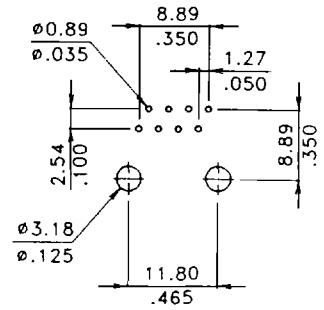
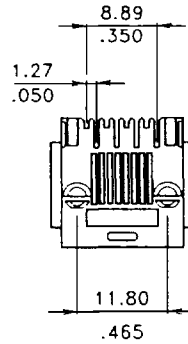
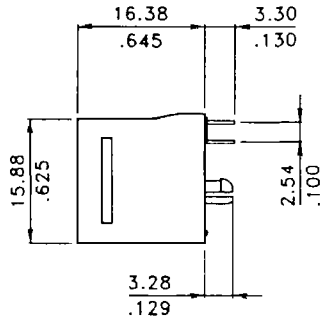
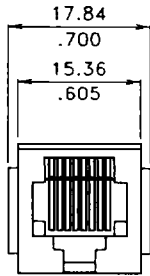
MODULAR JACKS, PCB MOUNT

CENTURY INTERCONNECT PRODUCTS (203) 375-5344 FAX (203) 375-1631

C012-8

TOP ENTRY PCB JACK
STANDARD COLOR: BLACK

(8 POSITION)

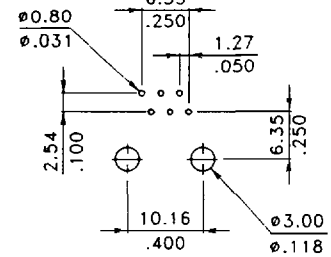
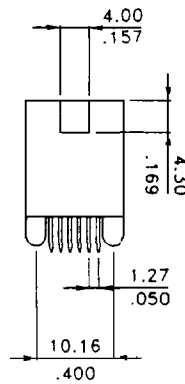
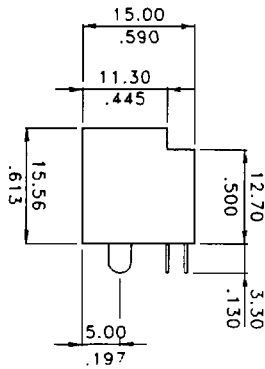
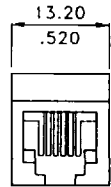


PCB LAYOUT

C014

TOP ENTRY PCB JACK
STANDARD COLOR: BLACK

(6 POSITION)

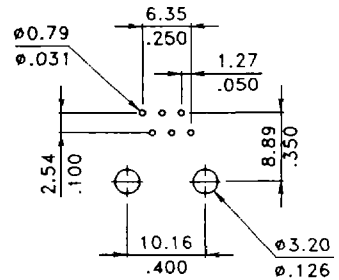
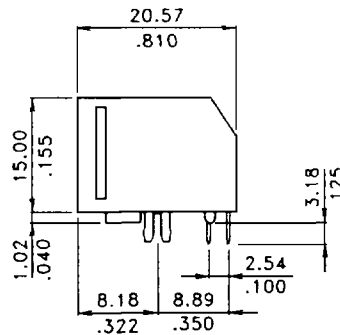
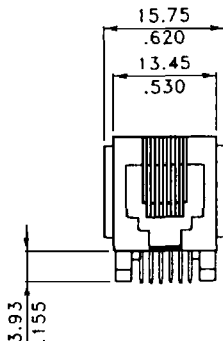


PCB LAYOUT

C017

LOW PROFILE SIDE ENTRY PCB JACK
STANDARD COLOR: BLACK

(6 POSITION)



PCB LAYOUT

SEE PAGE 80 FOR ORDERING INFORMATION



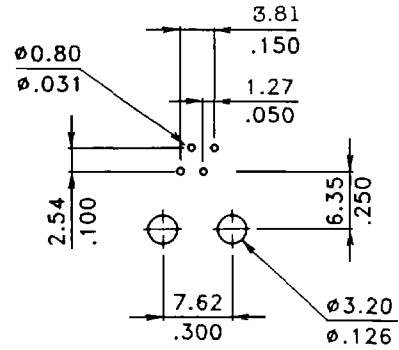
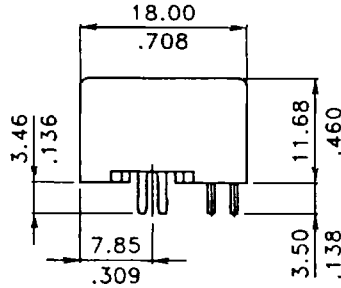
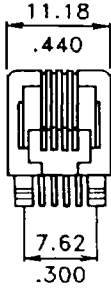
MODULAR JACKS, PCB MOUNT

CENTURY INTERCONNECT PRODUCTS (203) 375-5344 FAX (203) 375-1631

C019-4

VERY LOW PROFILE SIDE ENTRY PCB JACK STANDARD COLOR: BLACK

(4 POSITION)

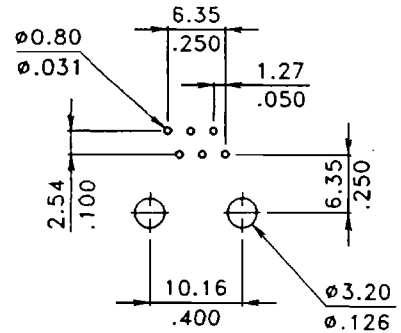
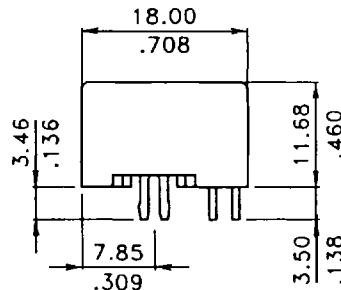
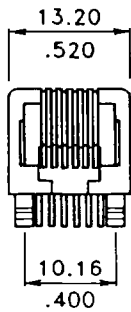


PCB LAYOUT

C019-6

VERY LOW PROFILE SIDE ENTRY PCB JACK STANDARD COLOR: BLACK

(6 POSITION)

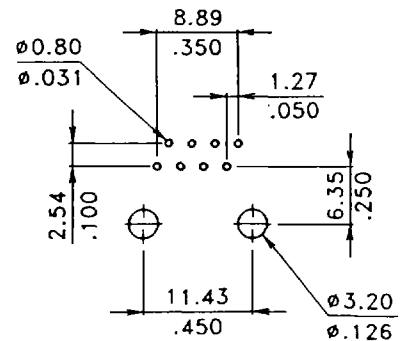
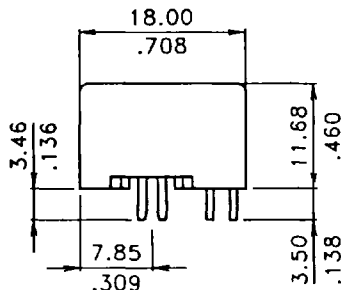
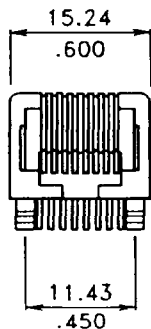


PCB LAYOUT

C019-8

VERY LOW PROFILE SIDE ENTRY PCB JACK STANDARD COLOR: BLACK

(8 POSITION)



PCB LAYOUT

SEE PAGE 80 FOR ORDERING INFORMATION



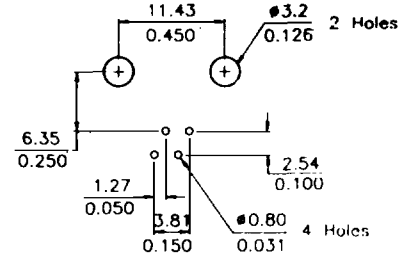
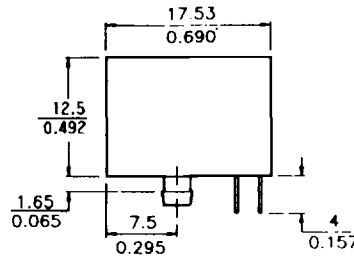
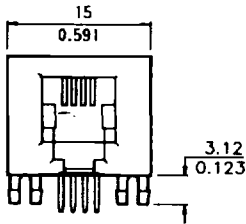
MODULAR JACKS, PCB MOUNT

CENTURY INTERCONNECT PRODUCTS (203) 375-5344 FAX (203) 375-1631

C022-4

LOW PROFILE SIDE ENTRY PCB JACK STANDARD COLOR: BLACK

(4 POSITION)

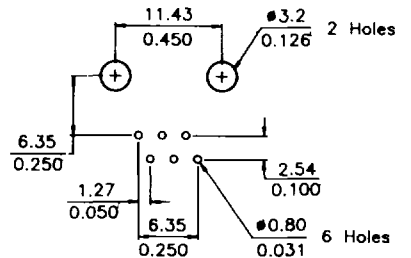
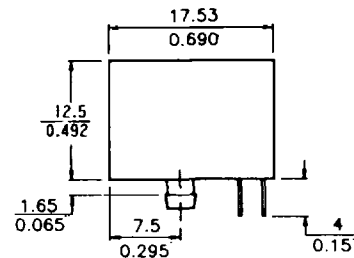
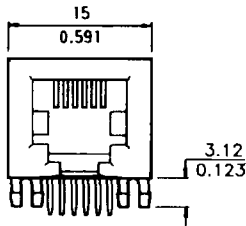


PCB LAYOUT

C022-6

LOW PROFILE SIDE ENTRY PCB JACK STANDARD COLOR: BLACK

(6 POSITION)

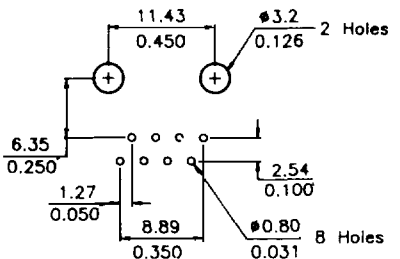
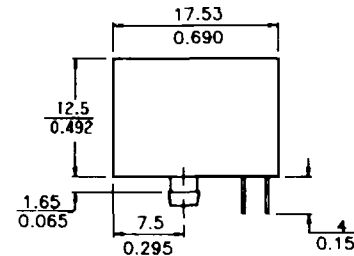
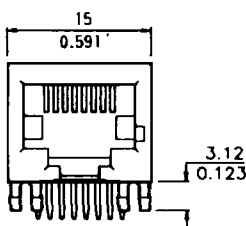


PCB LAYOUT

C022-8

LOW PROFILE SIDE ENTRY PCB JACK STANDARD COLOR: BLACK

(8 POSITION)



PCB LAYOUT

SEE PAGE 80 FOR ORDERING INFORMATION



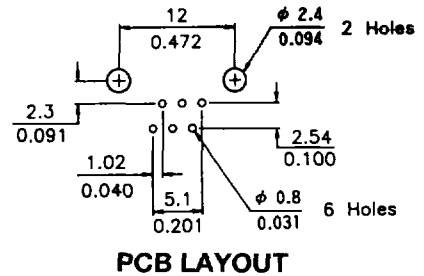
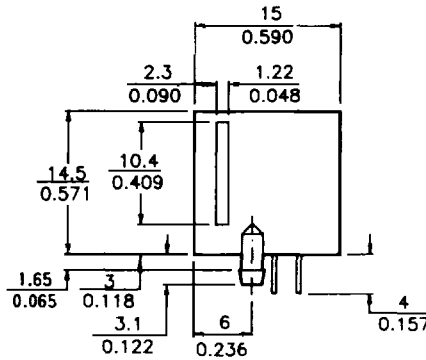
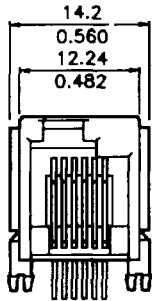
MODULAR JACKS, PCB MOUNT

CENTURY INTERCONNECT PRODUCTS (203) 375-5344 FAX (203) 375-1631

C025

**LOW PROFILE PCB JACK
(OFF CENTER TYPE)**
STANDARD COLOR: MEDIUM GRAY

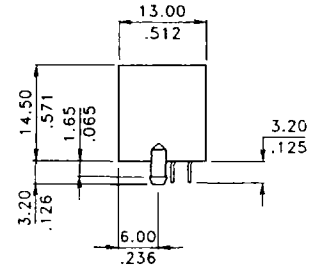
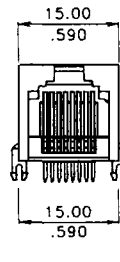
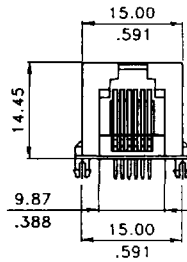
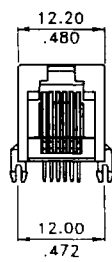
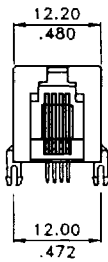
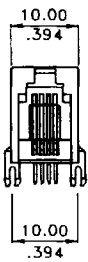
(6 POSITION)



C026

**MINI LOW PROFILE PCB JACK
(WITHOUT FLANGE)**
STANDARD COLOR: MEDIUM GRAY

**(4 POSITION)
(6 POSITION)
(8 POSITION)**



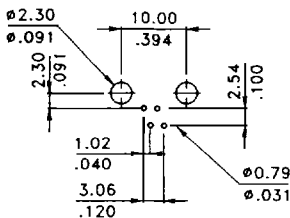
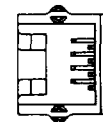
C026-4

C026-5

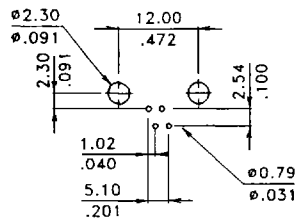
C026-6

C026-7

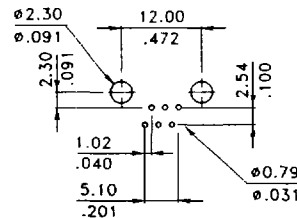
C026-8



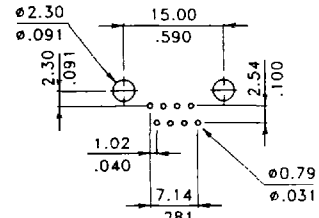
**PCB LAYOUT
C026-4**



**PCB LAYOUT
C026-5**



**PCB LAYOUT
C026-6**



**PCB LAYOUT
C026-7
C026-8**

SEE PAGE 80 FOR ORDERING INFORMATION



MODULAR JACKS, PCB MOUNT

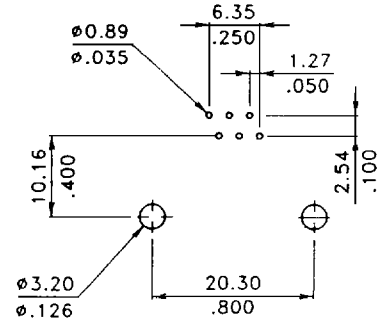
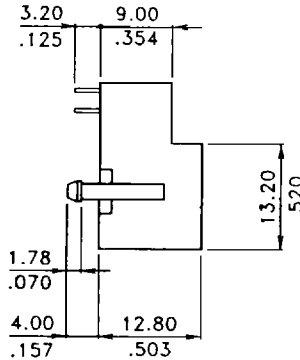
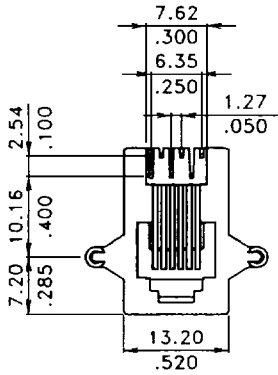
CENTURY INTERCONNECT PRODUCTS (203) 375-5344 FAX (203) 375-1631

C027

BOTTOM ENTRY PCB JACK

STANDARD COLOR: BLACK

(6 POSITION)



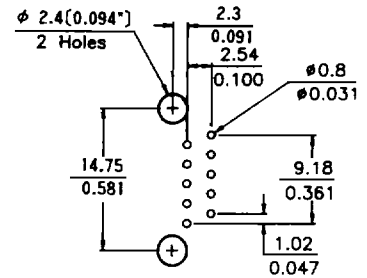
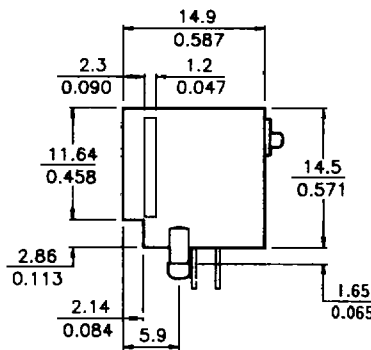
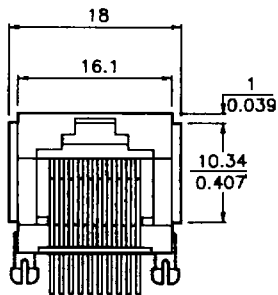
PCB LAYOUT

C029

LOW PROFILE PCB JACK

STANDARD COLOR: MEDIUM GRAY

(10 POSITION)



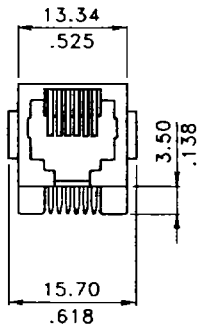
PCB LAYOUT

C031-6

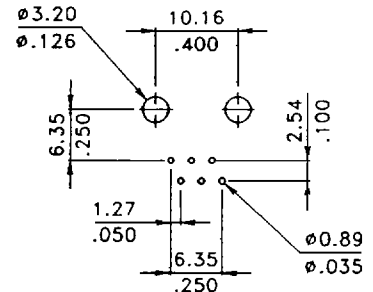
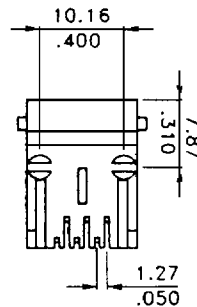
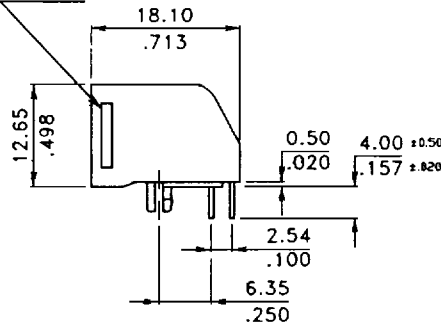
VERY LOW PROFILE SIDE ENTRY PCB JACK

STANDARD COLOR: BLACK

(6 POSITION)



OPTIONAL FLANGE



PCB LAYOUT

SEE PAGE 80 FOR ORDERING INFORMATION



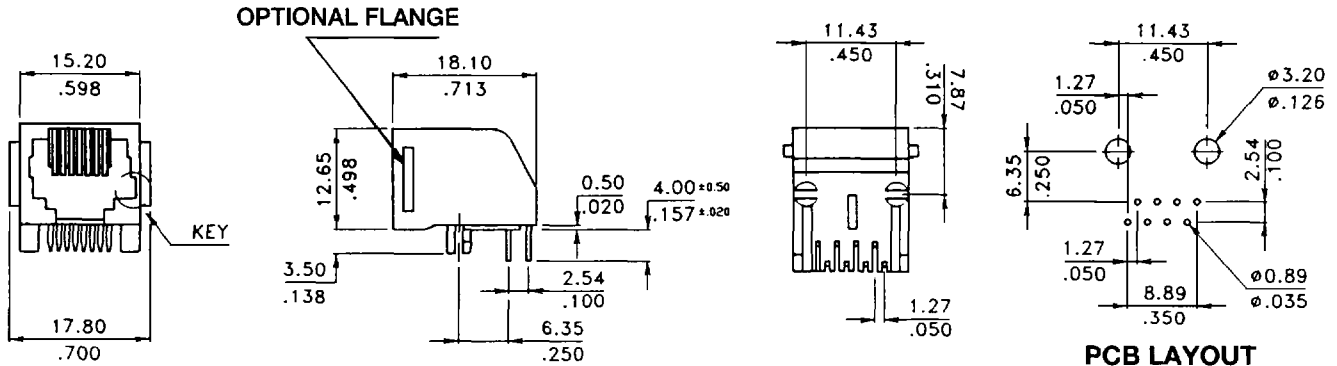
MODULAR JACKS, PCB MOUNT

CENTURY INTERCONNECT PRODUCTS (203) 375-5344 FAX (203) 375-1631

**C031-8
C031-8K
C031-10**

**VERY LOW PROFILE RJ45
SIDE ENTRY PCB JACK**
STANDARD COLOR: BLACK

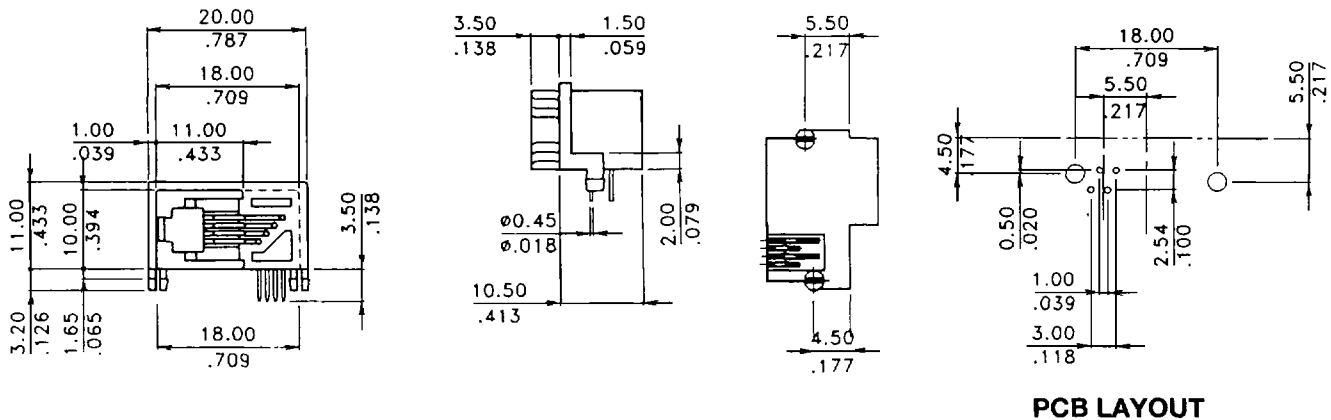
**(8 POSITION)
(10 POSITION)**



C033

LOW PROFILE PCB JACK
STANDARD COLOR: MEDIUM GRAY

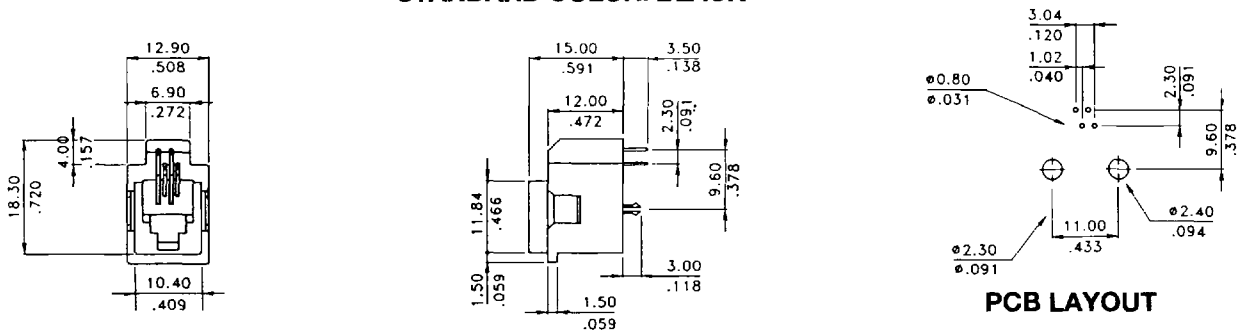
(4 POSITION)



C034

**TOP ENTRY PCB JACK
WITH METAL BOARDLOCKS**
STANDARD COLOR: BLACK

(4 POSITION)



SEE PAGE 80 FOR ORDERING INFORMATION



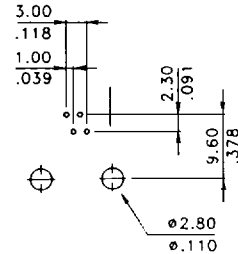
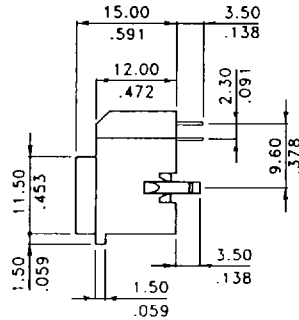
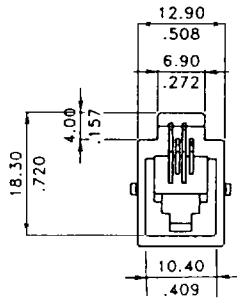
MODULAR JACKS, PCB MOUNT

CENTURY INTERCONNECT PRODUCTS (203) 375-5344 FAX (203) 375-1631

C035

TOP ENTRY PCB JACK
STANDARD COLOR: MEDIUM GRAY

(4 POSITION)

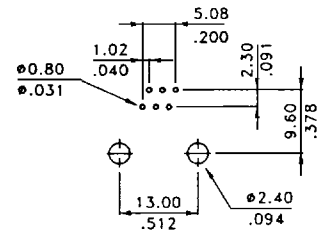
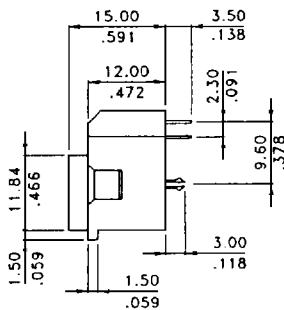
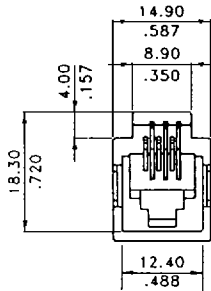


PCB LAYOUT

C036

TOP ENTRY PCB JACK
WITH METAL BOARDLOCKS
STANDARD COLOR: BLACK

(6 POSITION)

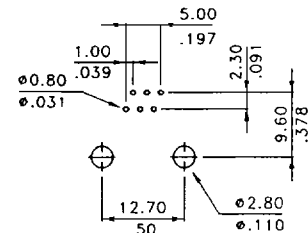
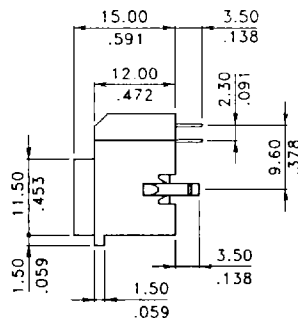
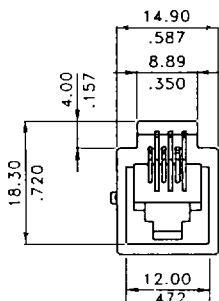


PCB LAYOUT

C037

TOP ENTRY PCB JACK
STANDARD COLOR: MEDIUM GRAY

(6 POSITION)



PCB LAYOUT

SEE PAGE 80 FOR ORDERING INFORMATION



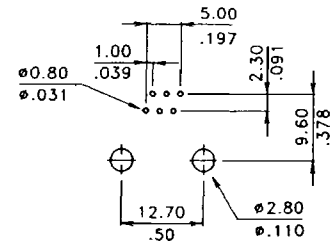
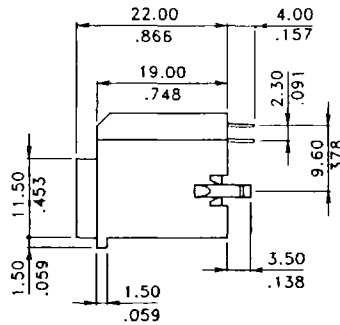
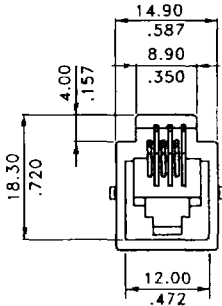
MODULAR JACKS, PCB MOUNT

CENTURY INTERCONNECT PRODUCTS (203) 375-5344 FAX (203) 375-1631

C039

TOP ENTRY PCB JACK STANDARD COLOR: MEDIUM GRAY

(6 POSITION)

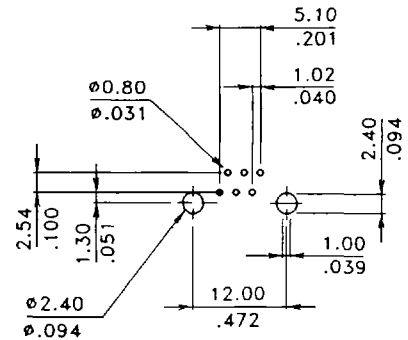
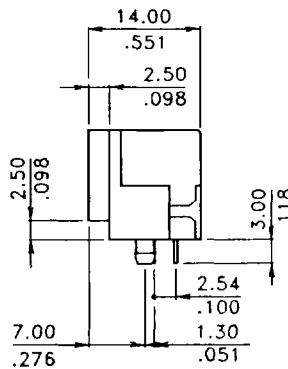
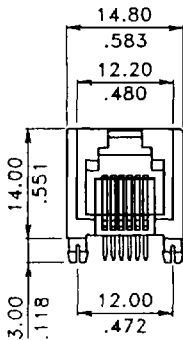


PCB LAYOUT

C046

SIDE ENTRY PCB JACK STANDARD COLOR: BLACK

(6 POSITION)

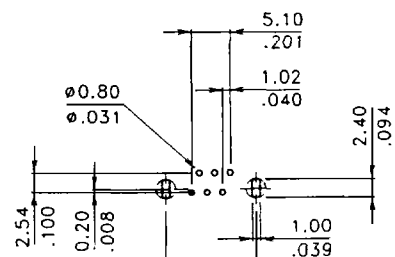
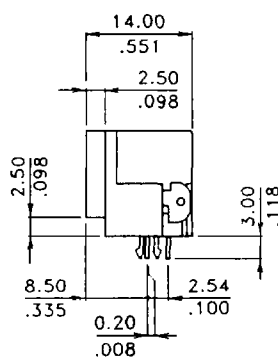
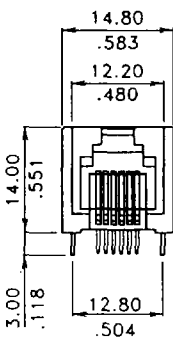


PCB LAYOUT

C047

SIDE ENTRY PCB JACK WITH METAL BOARDLOCKS STANDARD COLOR: BLACK

(6 POSITION)



PCB LAYOUT

SEE PAGE 80 FOR ORDERING INFORMATION



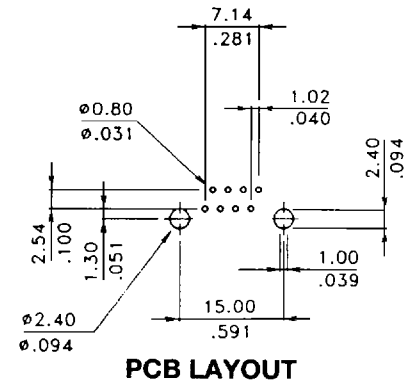
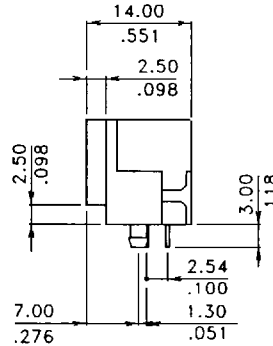
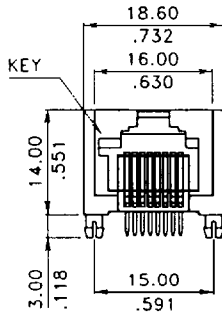
MODULAR JACKS, PCB MOUNT

CENTURY INTERCONNECT PRODUCTS (203) 375-5344 FAX (203) 375-1631

C048

SIDE ENTRY PCB JACK
STANDARD COLOR: BLACK

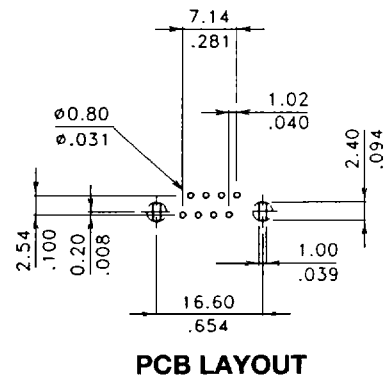
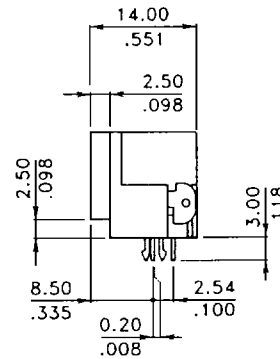
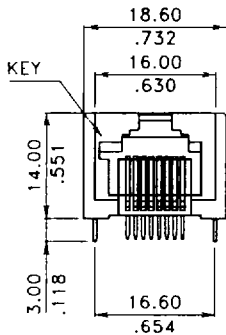
(8 POSITION)



C049

SIDE ENTRY PCB JACK
WITH METAL BOARDLOCKS
STANDARD COLOR: BLACK

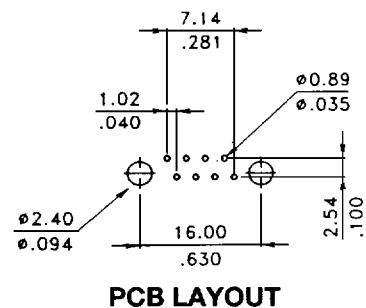
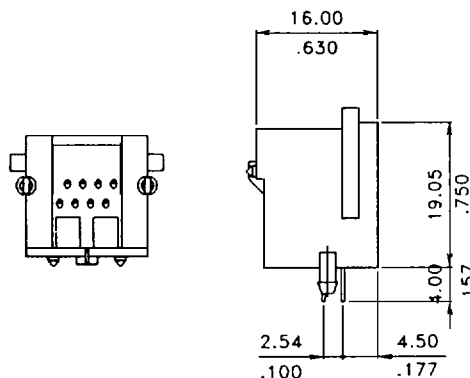
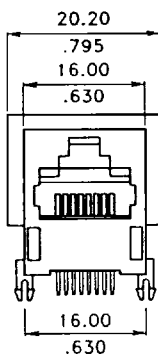
(8 POSITION)



C057

SIDE ENTRY PCB JACK
STANDARD COLOR: BLACK

(8 POSITION)



SEE PAGE 80 FOR ORDERING INFORMATION



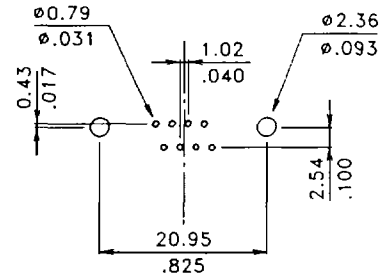
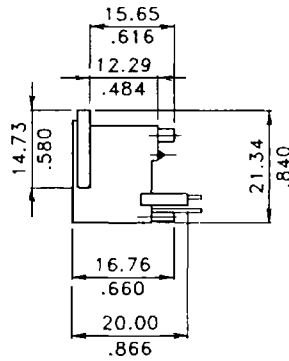
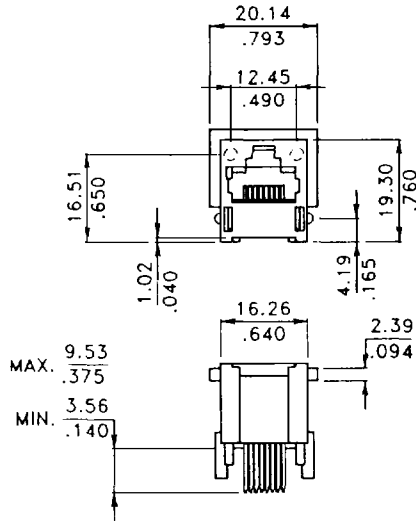
MODULAR JACKS, PCB MOUNT

CENTURY INTERCONNECT PRODUCTS (203) 375-5344 FAX (203) 375-1631

C058

TOP ENTRY PCB JACK
STANDARD COLOR: BLACK

(8 POSITION)

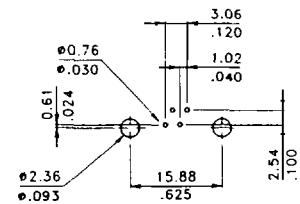
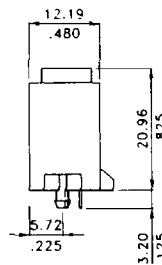
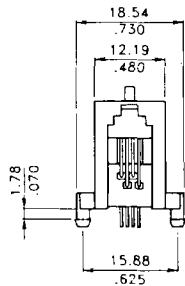


PCB LAYOUT

C616TYPE

SIDE ENTRY PCB JACK
STANDARD COLOR: MEDIUM GRAY

(4 POSITION)

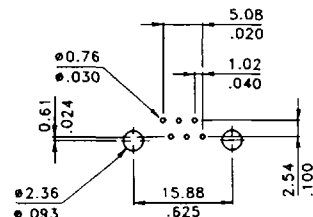
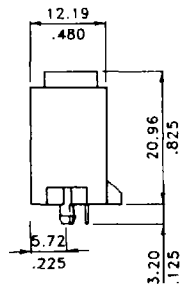
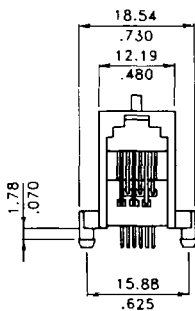


PCB LAYOUT

C623TYPE

SIDE ENTRY PCB JACK
STANDARD COLOR: MEDIUM GRAY

(6 POSITION)



PCB LAYOUT

SEE PAGE 80 FOR ORDERING INFORMATION



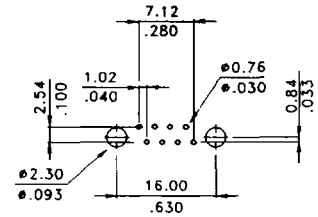
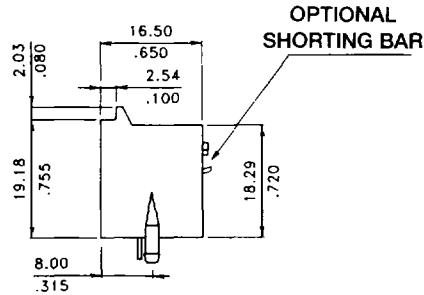
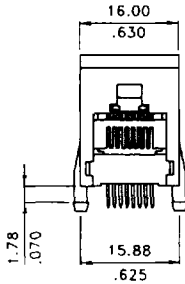
MODULAR JACKS, PCB MOUNT

CENTURY INTERCONNECT PRODUCTS (203) 375-5344 FAX (203) 375-1631

**C641D
C641DK**

**SIDE ENTRY PCB JACK
STANDARD COLOR: MEDIUM GRAY**

(8 POSITION)

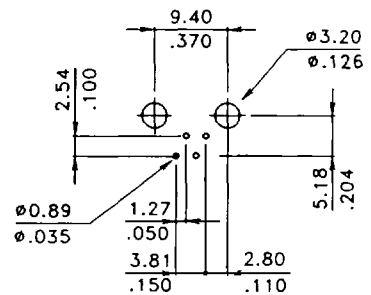
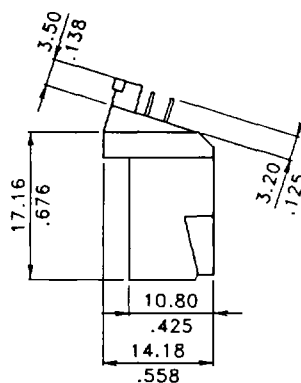
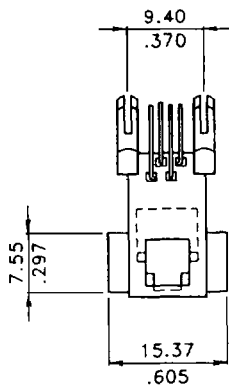
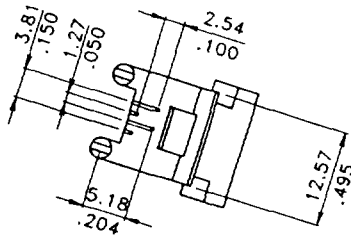


PCB LAYOUT

C664A

**OBLIQUE ANGLE ENTRY PCB JACK
STANDARD COLOR: MEDIUM GRAY**

(4 POSITION)



PCB LAYOUT

SEE PAGE 80 FOR ORDERING INFORMATION



MODULAR JACKS, SHIELDED

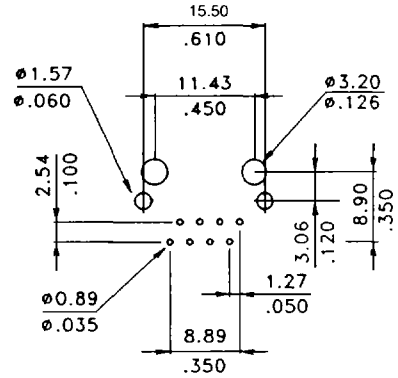
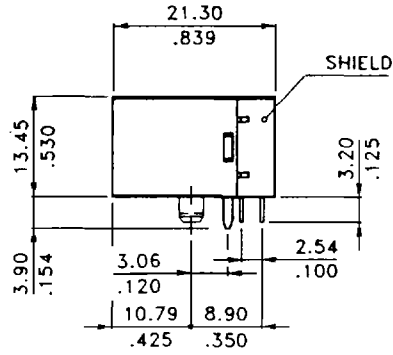
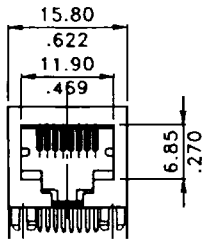
CENTURY INTERCONNECT PRODUCTS (203) 375-5344 FAX (203) 375-1631

C008S

SIDE ENTRY SHIELDED RJ45 PCB JACK

(8 POSITION)

STANDARD COLOR: BLACK



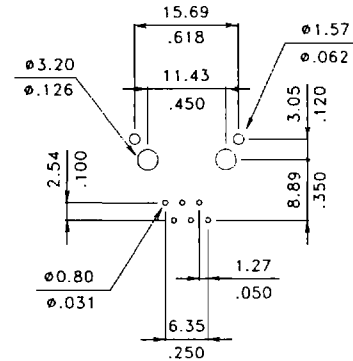
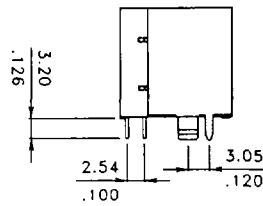
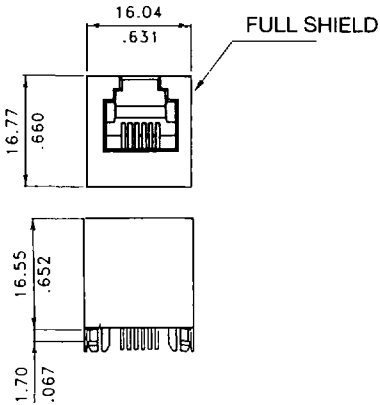
PCB LAYOUT

C012-6S

TOP ENTRY SHIELDED PCB JACK

(6 POSITION)

STANDARD COLOR: BLACK



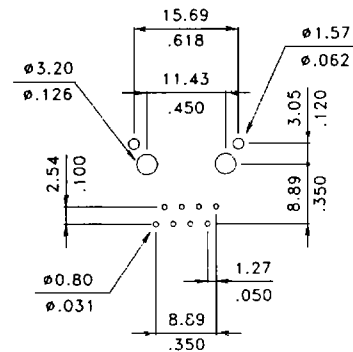
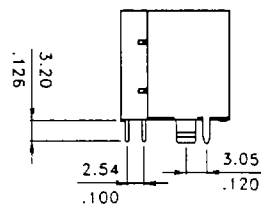
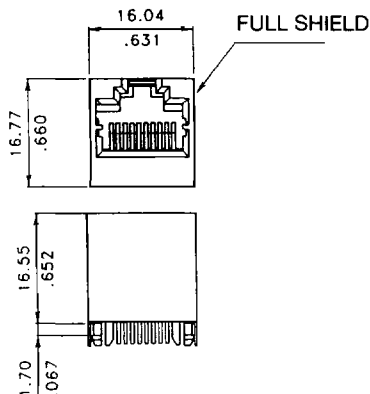
PCB LAYOUT

**C012-8S
C012-8KS**

TOP ENTRY SHIELDED PCB JACK

(8 POSITION)

STANDARD COLOR: BLACK



PCB LAYOUT

SEE PAGE 80 FOR ORDERING INFORMATION



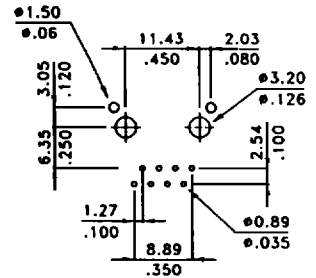
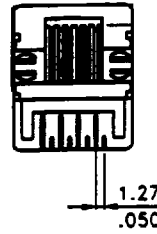
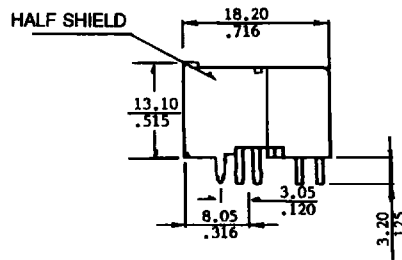
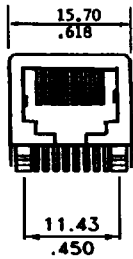
MODULAR JACKS, SHIELDED

CENTURY INTERCONNECT PRODUCTS (203) 375-5344 FAX (203) 375-1631

C019-8HS

SIDE ENTRY SHIELDED PCB JACK
STANDARD COLOR: BLACK

(8 POSITION)

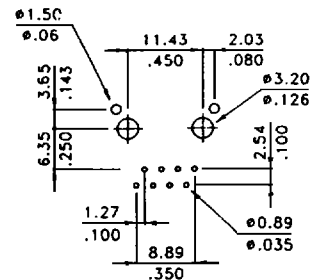
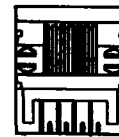
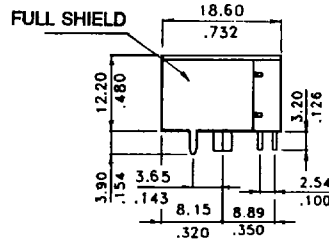
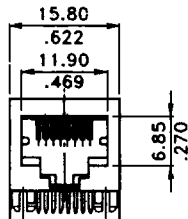


PCB LAYOUT

C019-8S

SIDE ENTRY SHIELDED PCB JACK
STANDARD COLOR: BLACK

(8 POSITION)

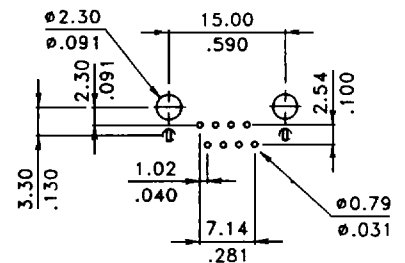
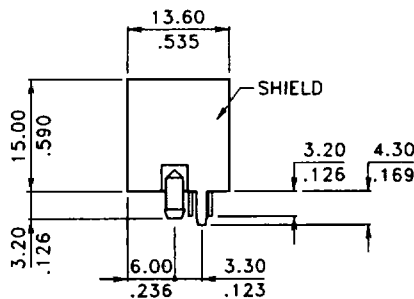
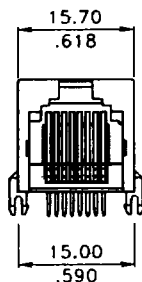


PCB LAYOUT

C026-8S

LOW PROFILE SHIELDED RJ45 PCB JACK
STANDARD COLOR: BLACK

(8 POSITION)



PCB LAYOUT

SEE PAGE 80 FOR ORDERING INFORMATION



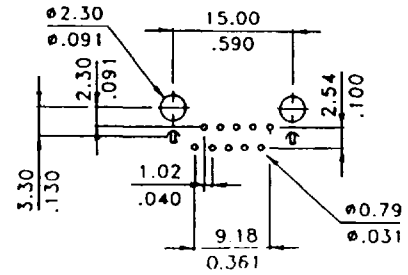
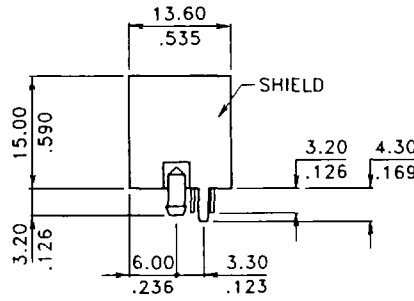
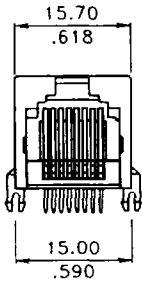
MODULAR JACKS, SHIELDED

CENTURY INTERCONNECT PRODUCTS (203) 375-5344 FAX (203) 375-1631

C026-10S

**LOW PROFILE SHIELDED
RJ45 PCB JACK**
STANDARD COLOR: BLACK

(10 POSITION)

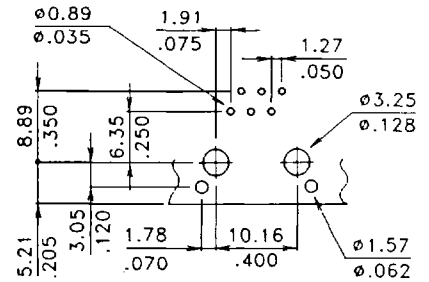
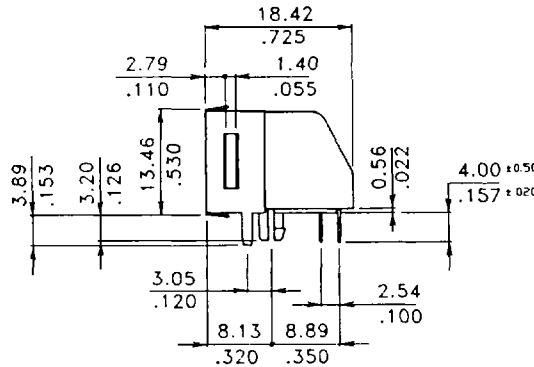
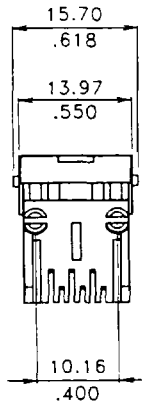
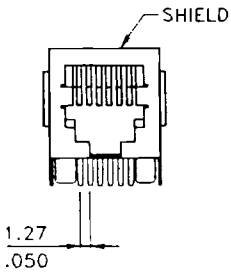


PCB LAYOUT

C031-6S

VERY LOW PROFILE SHIELDED PCB JACK
STANDARD COLOR: BLACK

(6 POSITION)

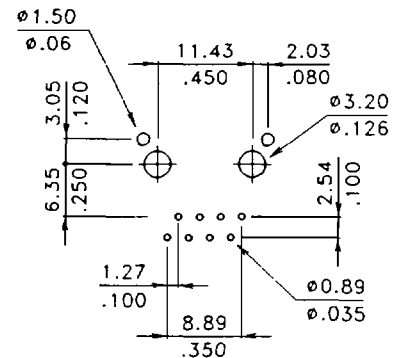
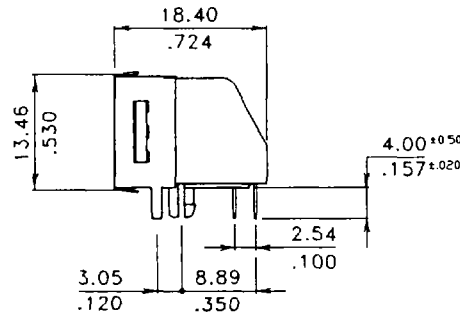
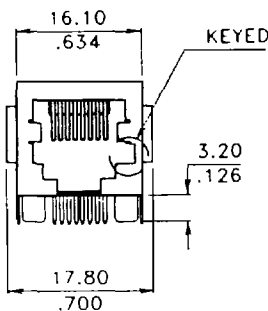


PCB LAYOUT

**C031-8S
C031-8KS**

**VERY LOW PROFILE SHIELDED
RJ45 PCB JACK**
STANDARD COLOR: BLACK

(8 POSITION)



PCB LAYOUT

SEE PAGE 80 FOR ORDERING INFORMATION



MODULAR JACKS, SHIELDED

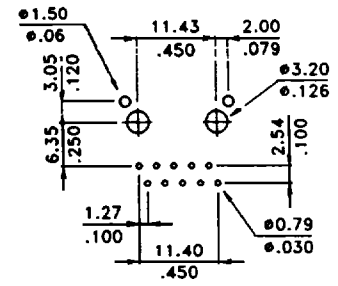
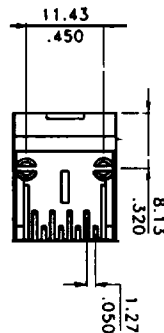
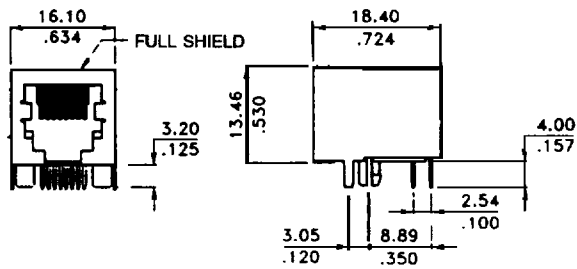
CENTURY INTERCONNECT PRODUCTS (203) 375-5344 FAX (203) 375-1631

C031-10S

**VERY LOW PROFILE SHIELDED
PCB JACK**

(10 POSITION)

STANDARD COLOR: BLACK



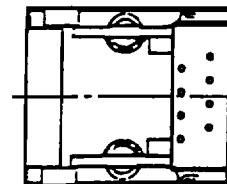
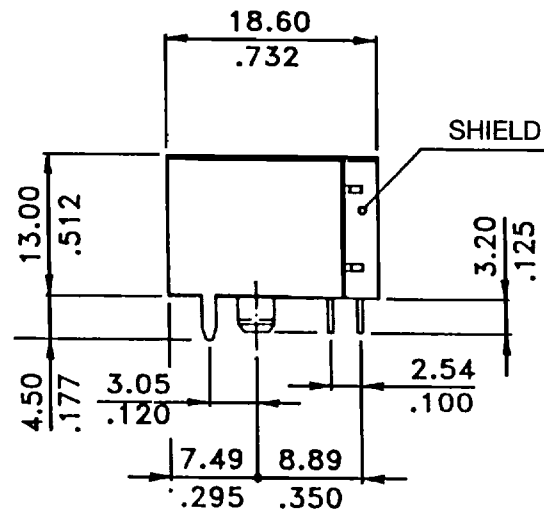
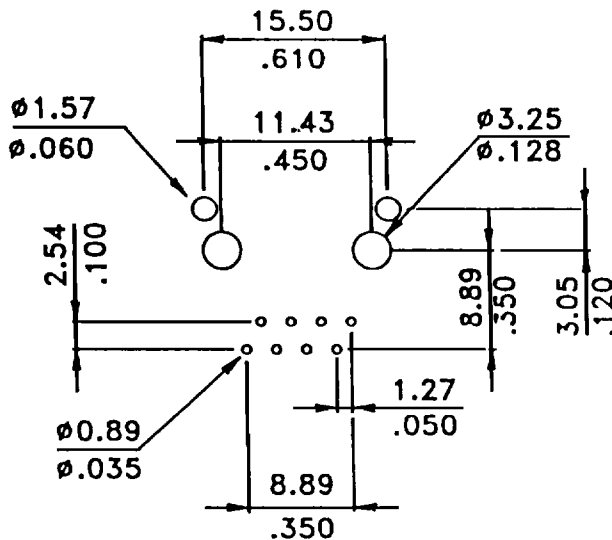
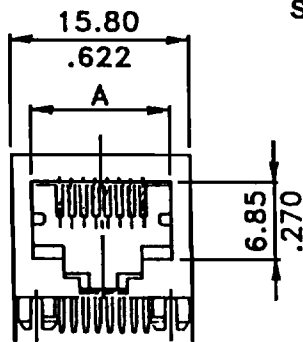
PCB LAYOUT

**C032-6S
C032-8S**

**VERY LOW PROFILE SHIELDED
RJ45 PCB JACK**

**(6 POSITION)
(8 POSITION)**

STANDARD COLOR: BLACK



A: 6P = 9.87 mm
8P = 11.87 mm

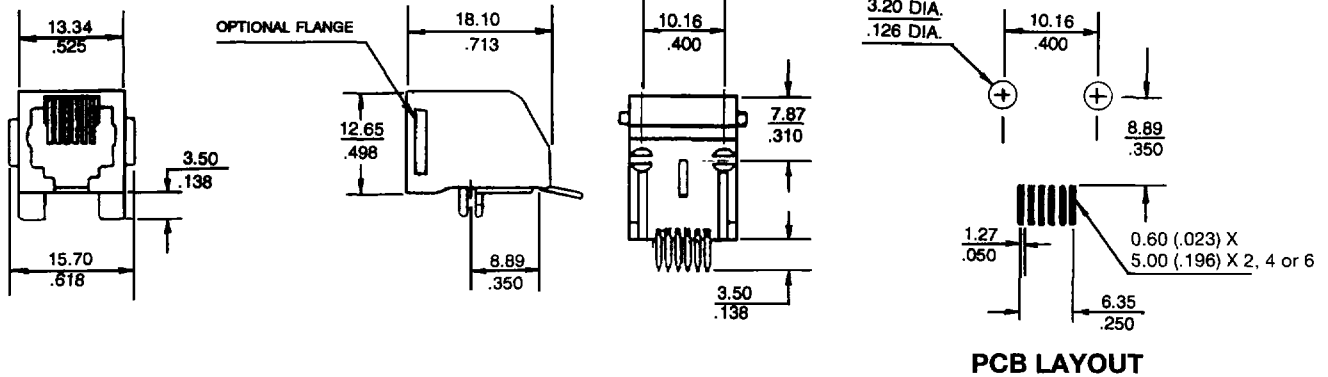
SEE PAGE 80 FOR ORDERING INFORMATION



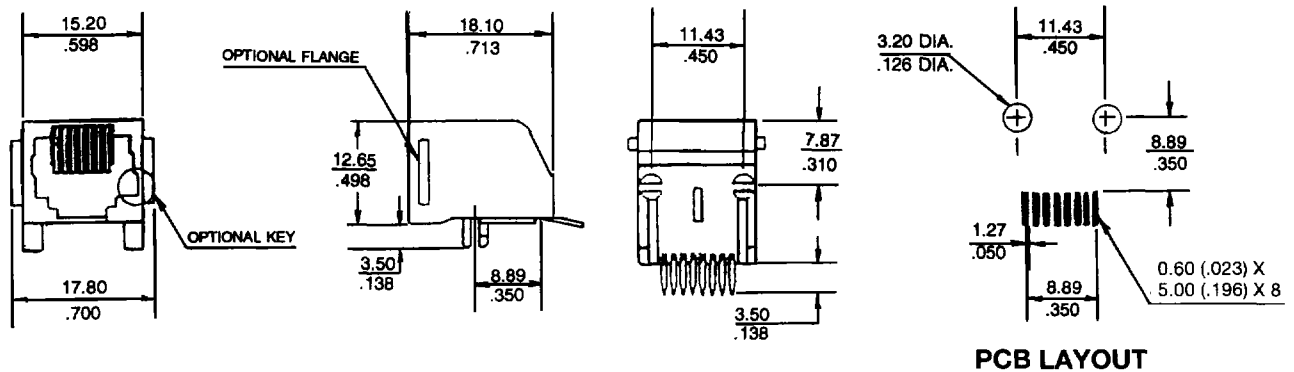
MODULAR JACKS, SURFACE MOUNT

CENTURY INTERCONNECT PRODUCTS (203) 375-5344 FAX (203) 375-1631

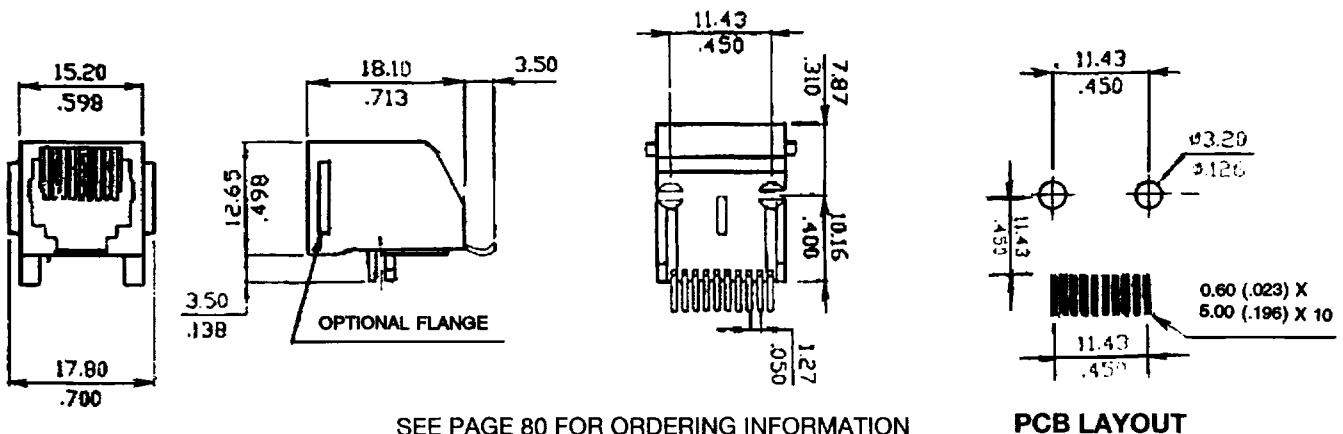
C031-6 RJ11, RJ12 SURFACE MOUNT PCB JACK (6 POSITION) VERY LOW PROFILE STANDARD COLOR: BLACK



C031-8 RJ45 SURFACE MOUNT PCB JACK (8 POSITION) VERY LOW PROFILE STANDARD COLOR: BLACK



C031-10 SURFACE MOUNT PCB JACK (10 POSITION) VERY LOW PROFILE STANDARD COLOR: BLACK



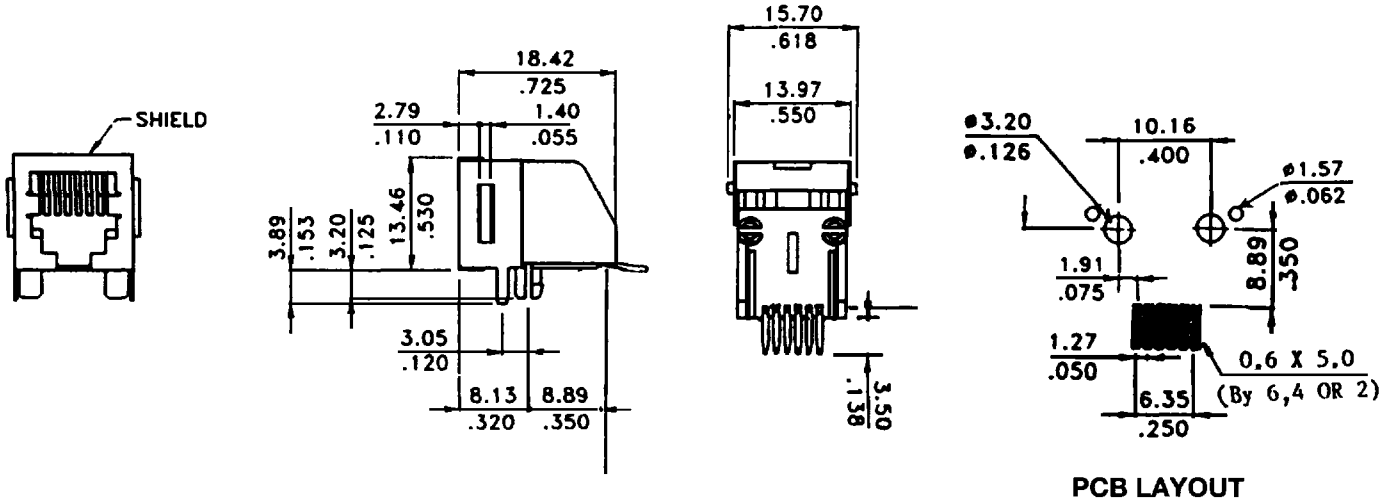
SEE PAGE 80 FOR ORDERING INFORMATION



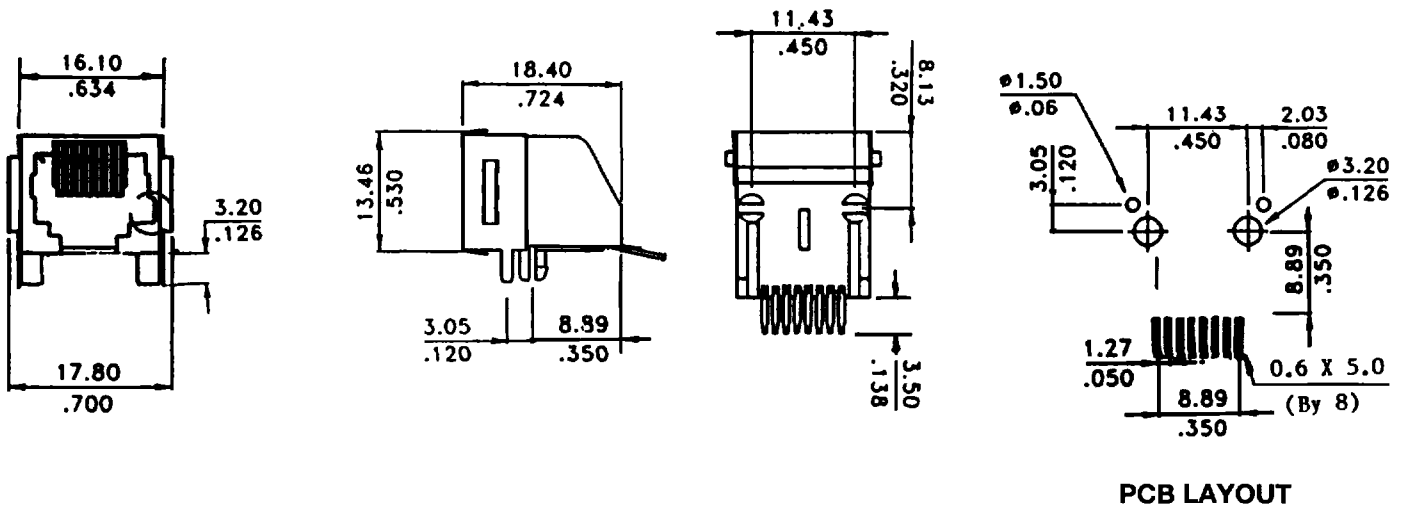
MODULAR JACKS, SMT, SHIELDED

CENTURY INTERCONNECT PRODUCTS (203) 375-5344 FAX (203) 375-1631

C031-6S RJ11, RJ12 SURFACE MOUNT, SHIELDED (6 POSITION) PCB JACK, VERY LOW PROFILE STANDARD COLOR: BLACK



C031-8S RJ45 SURFACE MOUNT, SHIELDED (8 POSITION) PCB JACK, VERY LOW PROFILE STANDARD COLOR: BLACK



SEE PAGE 80 FOR ORDERING INFORMATION



MODULAR JACK WITH FERRITE BLOCK

CENTURY INTERCONNECT PRODUCTS (203) 375-5344 FAX (203) 375-1631

ORDERING INFORMATION

C062FB - F - X

1 2 3

1...Series C062FB Modular jack
with ferrite block

2...Number of Positions / Contacts
F...8 positions, 8 contacts

3...Contact Plating

1...15 μ "

2...30 μ "

3...50 μ "

4...6 μ "

SPECIFICATIONS

ELECTRICAL:

Insulation Resistance: 500 megohms
minimum

Contact Resistance: 20 milliohms max.

Current Rating: 1.5 amps min.

Dielectric Withstanding Voltage: 1000 RMS
60 seconds min.

Impedance: 150 ohm min. at 100 MHz

MECHANICAL:

Housing Material: PBT 15% glass-filled

Flammability Rating: UL94V-0

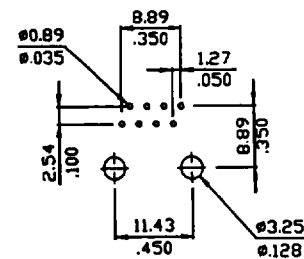
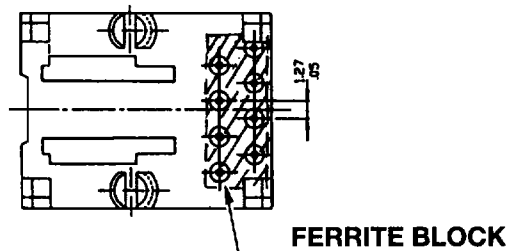
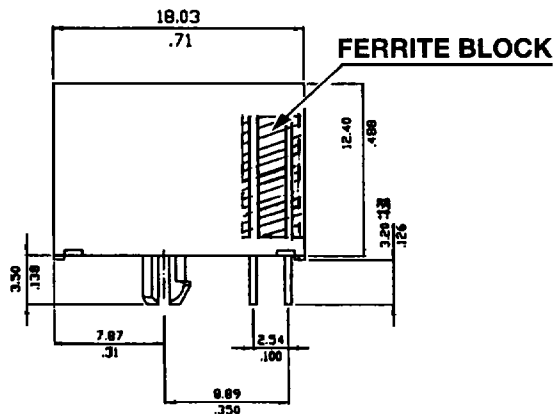
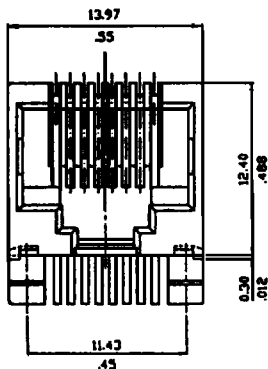
Housing Color: Black

Spring Wire: 0.35mm thick phosphor bronze

Spring Wire Plating: Gold over nickel in
contact area, see ordering information

Operating Temperature Range: -25 degrees C
to +90 degrees C

Durability: 500 mating cycles min.



PCB LAYOUT



GANG JACKS

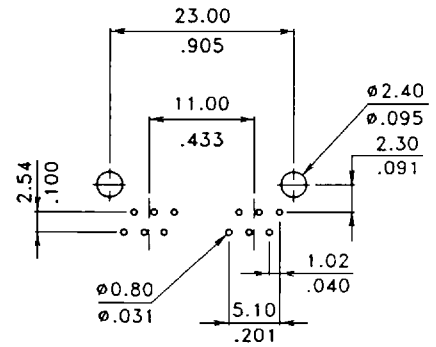
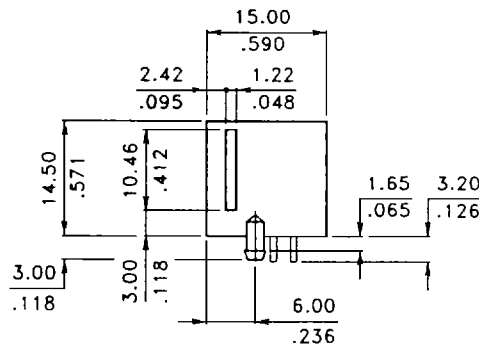
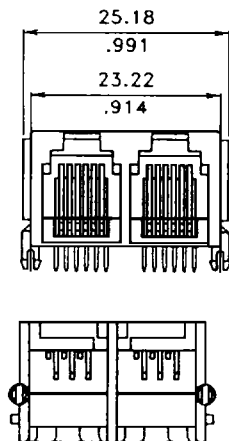
CENTURY INTERCONNECT PRODUCTS (203) 375-5344 FAX (203) 375-1631

C010-26

PCB GANG JACK, 2 PORTS

(6 POSITION)

STANDARD COLOR: BLACK



PCB LAYOUT

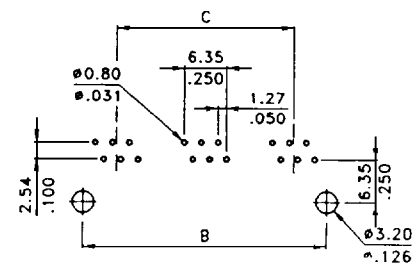
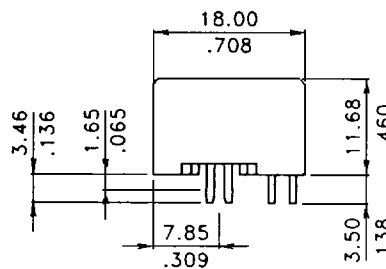
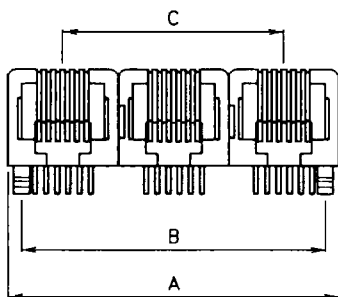
C019-16

VERY LOW PROFILE GANG JACK

(6 POSITION)

2 TO 12 PORTS

STANDARD COLOR: BLACK



PCB LAYOUT

P = NUMBER OF PORTS

A = .520 X P - [.020 X (P-1)]

B = A - .120

C = .500 X (P-1)

SEE PAGE 81 FOR ORDERING INFORMATION



GANG JACKS

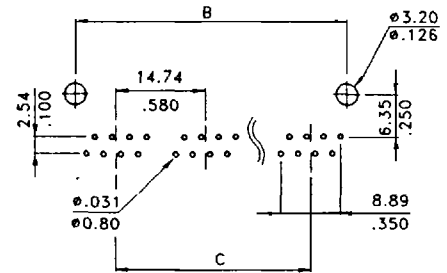
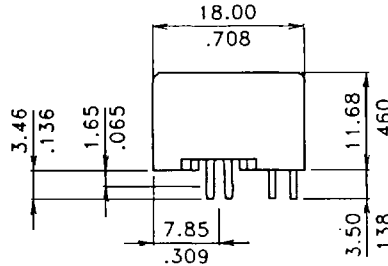
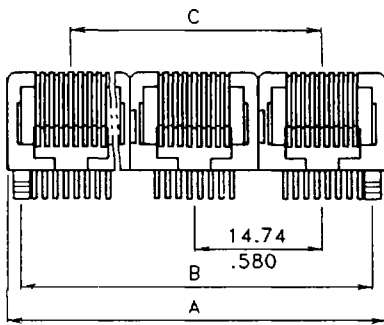
CENTURY INTERCONNECT PRODUCTS (203) 375-5344 FAX (203) 375-1631

C019-18

VERY LOW PROFILE GANG JACK 2 TO 12 PORTS

(8 POSITION)

STANDARD COLOR: BLACK



PCB LAYOUT

P = NUMBER OF PORTS

$$A = .603 \times P - [.020 \times (P-1)]$$

$$B = A - .150$$

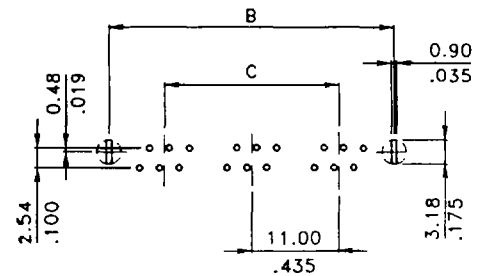
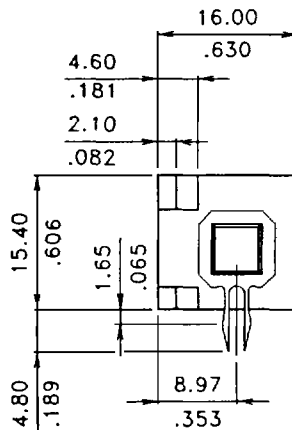
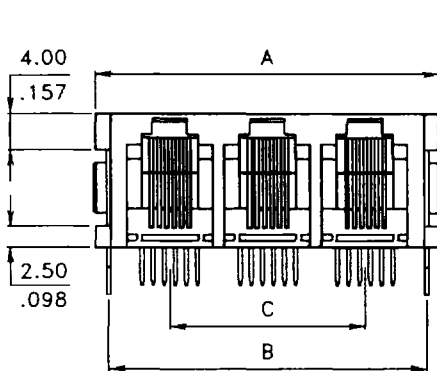
$$C = .579 \times (P-1)$$

C020S

SIDE ENTRY PCB GANG JACK

(6 POSITION)

STANDARD COLOR: MEDIUM GRAY



PCB LAYOUT

DIMENSION	NUMBER OF PORTS							
	2	3	4	5	6	7	8	
A	28.20 1.110	39.20 1.543	50.20 1.976	61.20 2.410	72.20 2.842	83.20 3.275	94.20 3.710	
B	25.20 .992	36.20 1.425	47.20 1.860	58.20 2.290	69.20 2.724	80.20 3.157	91.20 3.590	
C	11.00 .433	22.00 .866	33.00 1.299	44.00 1.732	55.00 2.165	66.00 2.598	77.00 3.030	

SEE PAGE 81 FOR ORDERING INFORMATION



GANG JACKS

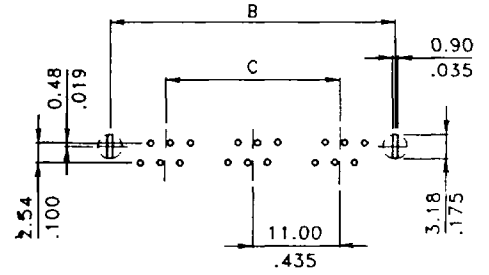
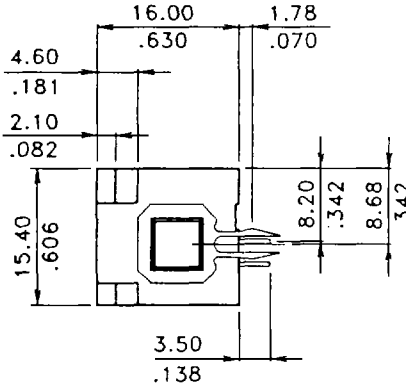
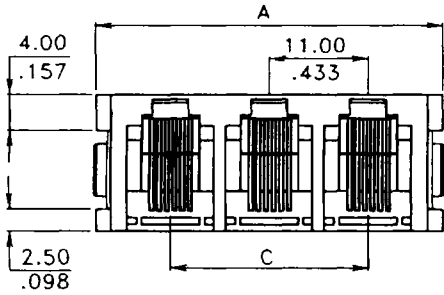
CENTURY INTERCONNECT PRODUCTS (203) 375-5344 FAX (203) 375-1631

C020T

TOP ENTRY PCB GANG JACK

(6 POSITION)

STANDARD COLOR: MEDIUM GRAY



PCB LAYOUT

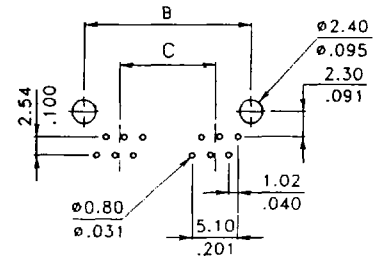
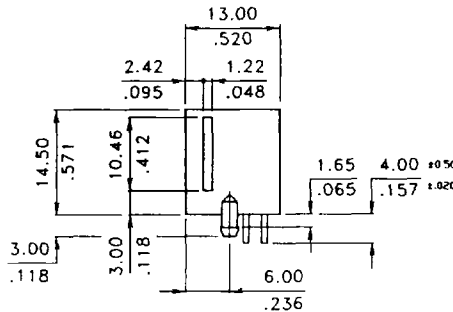
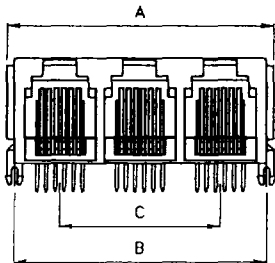
DIMENSION	NUMBER OF PORTS						
	2	3	4	5	6	7	8
A	28.20 1.110	39.20 1.543	50.20 1.976	61.20 2.410	72.20 2.842	83.20 3.275	94.20 3.710
B	25.20 .992	36.20 1.425	47.20 1.860	58.20 2.290	69.20 2.724	80.20 3.157	91.20 3.590
C	11.00 .433	22.00 .866	33.00 1.299	44.00 1.732	55.00 2.165	66.00 2.598	77.00 3.030

C026-16

**MINI LOW PROFILE GANG JACK
2 TO 12 PORTS**

(6 POSITION)

STANDARD COLOR: MEDIUM GRAY



PCB LAYOUT



P = NUMBER OF PORTS

A = .459 X P + .098

B = .459 X P + .020

C = .459 X (P-1)

SEE PAGE 81 FOR ORDERING INFORMATION

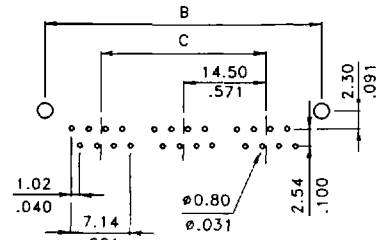
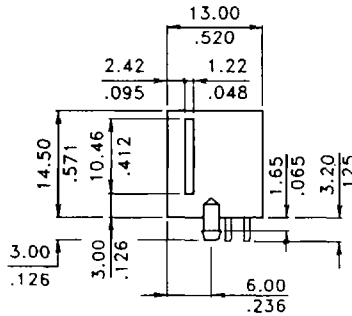
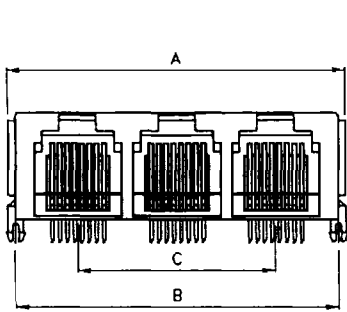


GANG JACKS

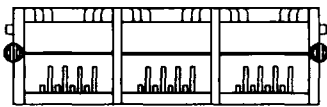
CENTURY INTERCONNECT PRODUCTS (203) 375-5344 FAX (203) 375-1631

C026-18 MINI LOW PROFILE RJ45 GANG JACK (8 POSITION) 2 TO 12 PORTS

STANDARD COLOR: MEDIUM GRAY



PCB LAYOUT



P = NUMBER OF PORTS

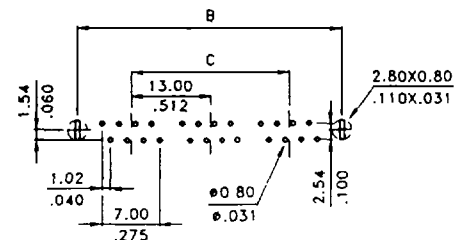
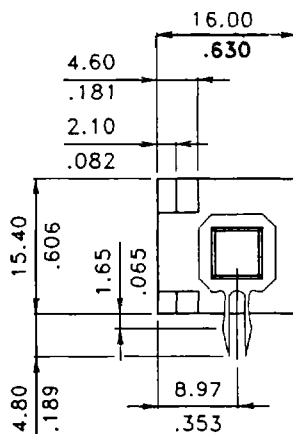
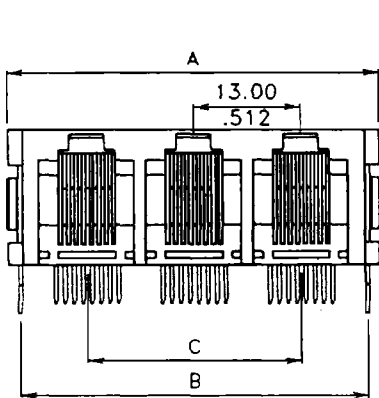
A = .570 X P + .118

B = .570 X P + .040

C = .570 X (P-1)

C030S SIDE ENTRY PCB GANG JACK (8 POSITION)

STANDARD COLOR: MEDIUM GRAY



PCB LAYOUT

DIMENSION	NUMBER OF PORTS			
	1	2	3	4
A	19.28 0.759	32.28 1.271	45.28 1.783	58.28 2.294
B	15.80 .622	28.80 1.134	41.80 1.646	54.80 2.157
C	X	13.00 .512	26.00 1.024	39.00 1.535

SEE PAGE 81 FOR ORDERING INFORMATION



GANG JACKS

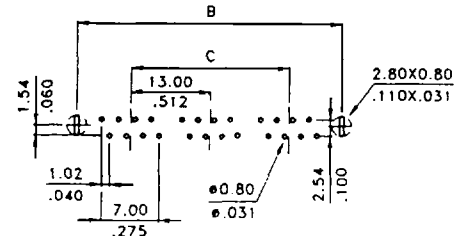
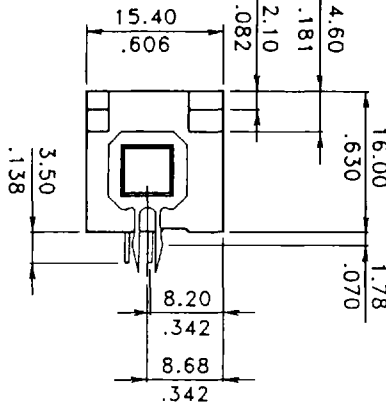
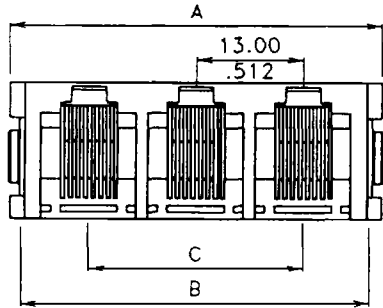
CENTURY INTERCONNECT PRODUCTS (203) 375-5344 FAX (203) 375-1631

C030T

TOP ENTRY PCB GANG JACK

(8 POSITION)

STANDARD COLOR: MEDIUM GRAY



PCB LAYOUT

DIMENSION	NUMBER OF PORTS			
	1	2	3	4
A	19.28 0.759	32.28 1.271	45.28 1.783	58.28 2.294
B	15.80 .622	28.80 1.134	41.80 1.646	54.80 2.157
C	X	13.00 .512	26.00 1.024	39.00 1.535

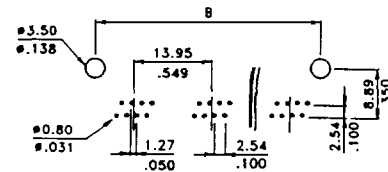
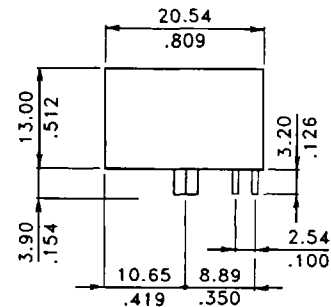
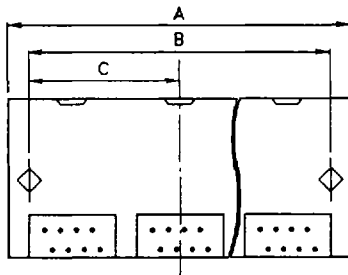
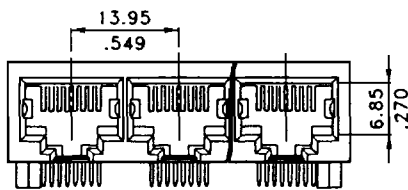
C040

SIDE ENTRY RJ45 GANG JACK

(8 POSITION)

2 TO 12 PORTS

STANDARD COLOR: BLACK



PCB LAYOUT

DIMENSION	NUMBER OF PORTS										
	2	3	4	5	6	7	8	9	10	11	12
A	30.48 1.200	44.45 1.750	58.42 2.300	72.39 2.850	86.36 3.400	100.33 3.950	114.30 4.500	128.27 5.050	142.24 5.600	156.21 6.150	170.18 6.700
B	25.40 1.000	39.37 1.550	53.34 2.100	67.31 2.650	81.28 3.200	95.25 3.750	109.22 4.300	123.19 4.850	137.16 5.400	151.13 5.950	165.10 6.500
C	12.70 .500	19.69 .775	26.67 1.050	33.66 1.325	40.64 1.600	47.63 1.875	54.61 2.150	61.60 2.425	68.58 2.700	75.57 2.975	82.56 3.250

SEE PAGE 81 FOR ORDERING INFORMATION



GANG JACKS

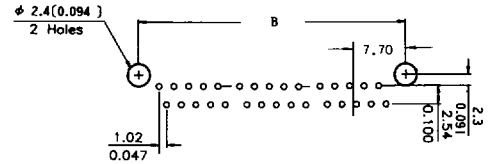
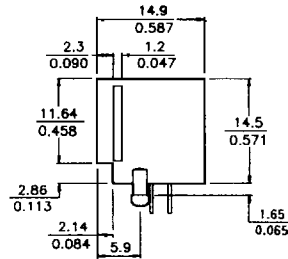
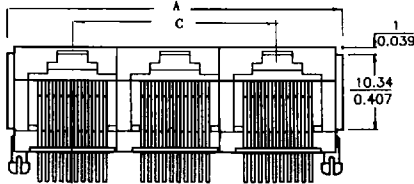
CENTURY INTERCONNECT PRODUCTS (203) 375-5344 FAX (203) 375-1631

C50

VERY LOW PROFILE GANG JACK 2 TO 12 PORTS

(10 POSITION)

STANDARD COLOR: BLACK



P = NUMBER OF PORTS

A = B + .118

B = .594 X (P-1) + .606

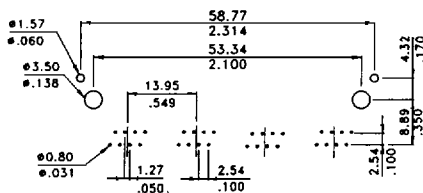
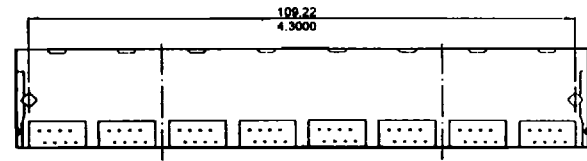
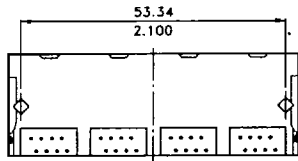
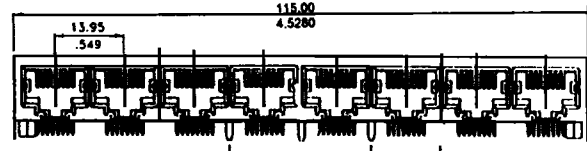
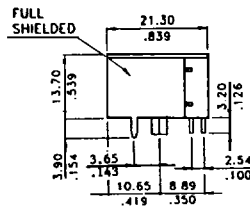
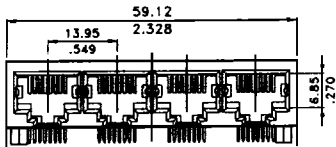
C = .594 X (P-1)

C040S

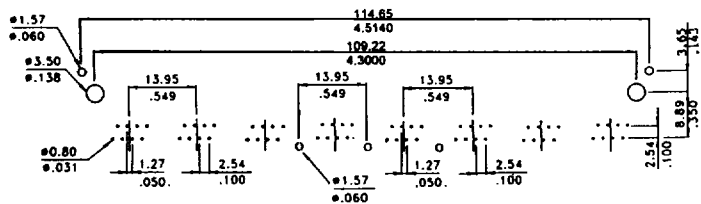
SIDE ENTRY SHIELDED RJ45 GANG JACK

(8 POSITION)

STANDARD COLOR: BLACK
AVAILABLE IN 4 AND 8 PORTS



**PCB LAYOUT
4 PORTS**



**PCB LAYOUT
8 PORTS**

SEE PAGE 81 FOR ORDERING INFORMATION



STACKED GANG JACKS, RJ45, SHIELDED

CENTURY INTERCONNECT PRODUCTS (203) 375-5344 FAX (203) 375-1631

ORDERING INFORMATION

C0X2 - XX - F - X - X
 1 2 3 4 5

1...Series

C042... gang jack, RJ45, shielded,
 2 rows of 4 ports each
 C062...gang jack, RJ45, shielded,
 2 rows of 6 ports each

2...Total Number of Ports

8...C042 series only
 12...C062 series only

3...Number of Contacts per Port

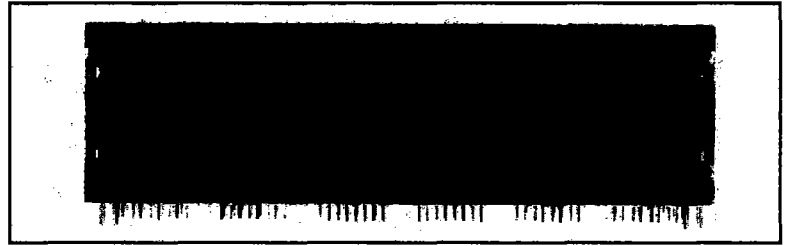
F...8 contacts per port

4...Plating Options

1...15μ" selective gold
 2...30μ" selective gold
 3...50μ" selective gold

5...Panel Grounding Option

Blank...without panel grounding
 P...with panel grounding



SPECIFICATIONS

Housing Material: PBT 15% glass filled, UL94V-0, black color

Shield Material: Tin plated copper

Contact Material: Phosphor bronze, .014 diameter
 spring wire

Contact Plating: Selective gold plating over nickel

Insulation Resistance: 500 megohms min.

Contact Resistance: 20 milliohms max.

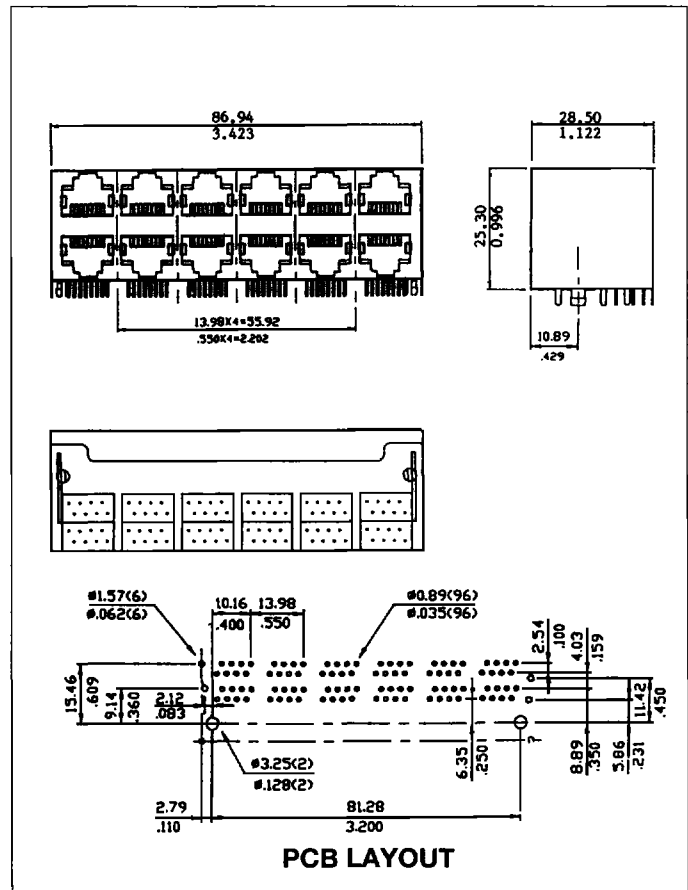
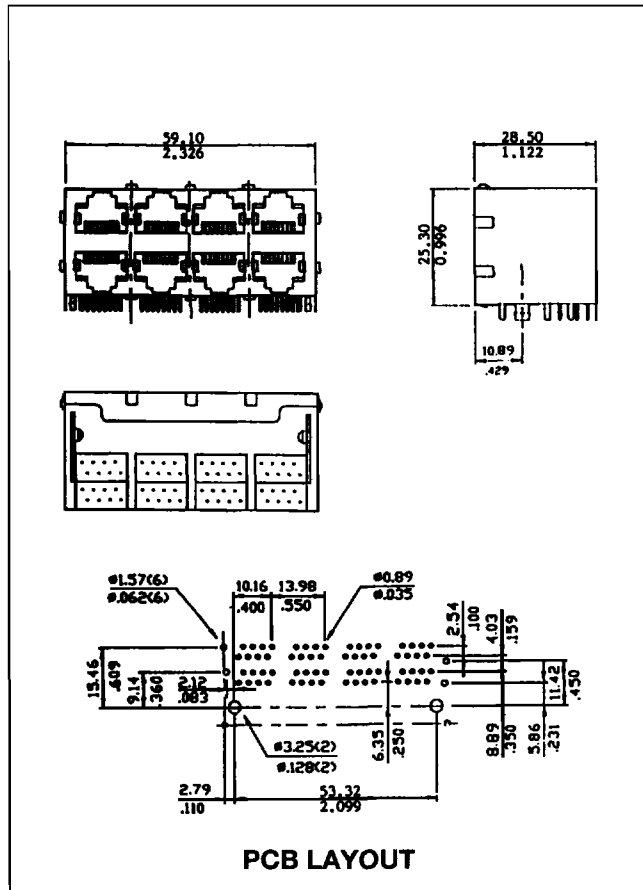
Current Rating: 1.5 amps min.

Dielectric Withstanding Voltage: 1000 RMS 60 sec. min.

Operating Temperature Range: -25 degrees C to +90 degrees C

Durability: 500 mating cycles

Tolerances are ±0.25mm (±.010)

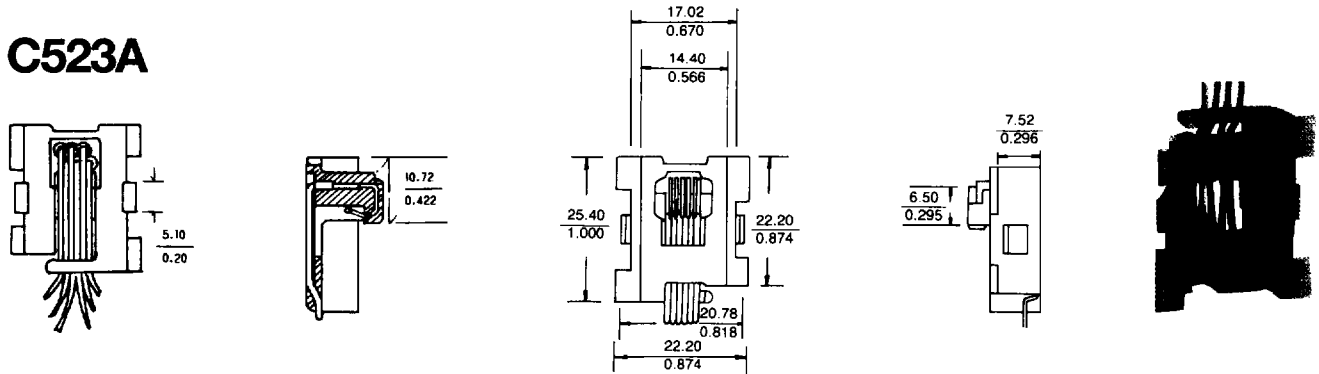




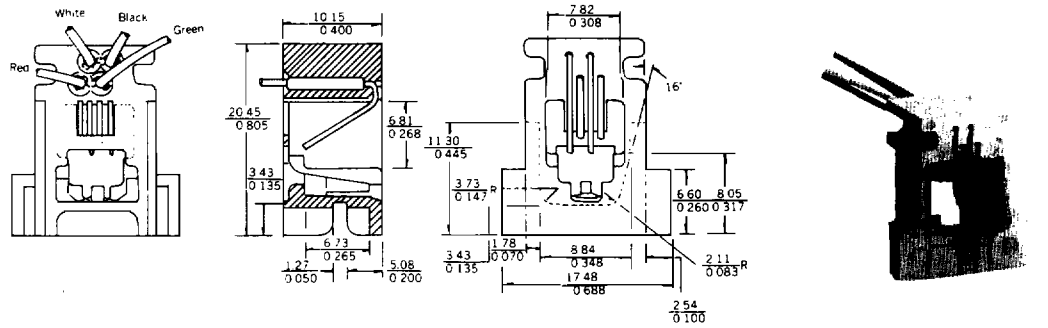
MODULAR JACKS, WIRE LEAD

CENTURY INTERCONNECT PRODUCTS (203) 375-5344 FAX (203) 375-1631

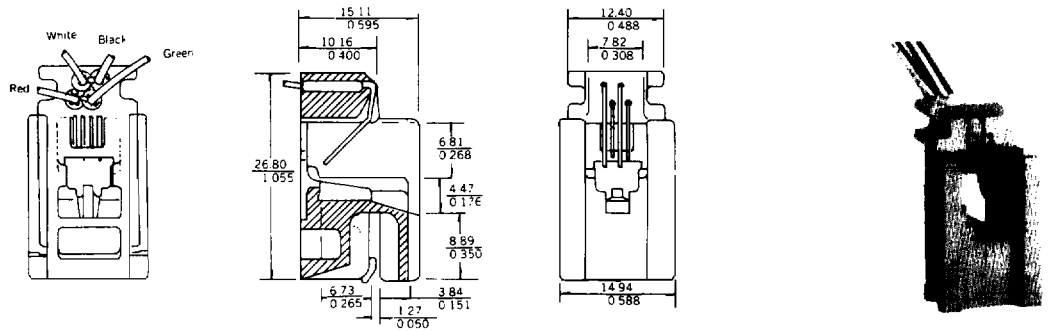
C523A



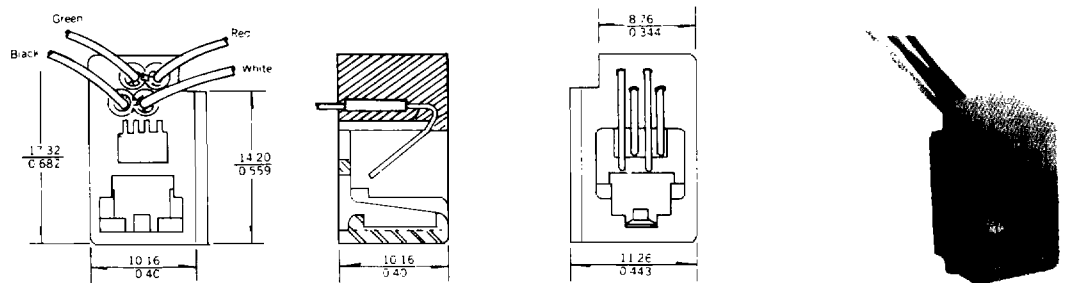
C616B



C616D



C616E



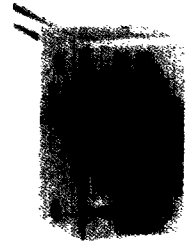
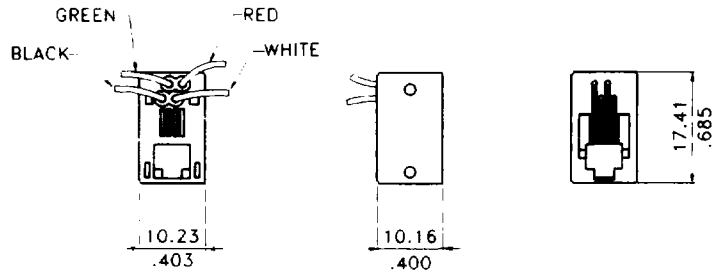
SEE PAGE 81 FOR ORDERING INFORMATION



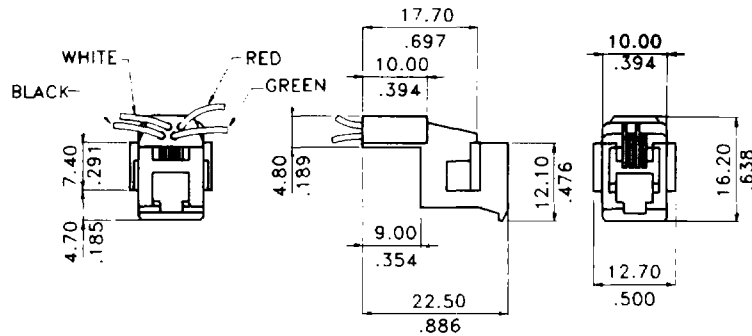
MODULAR JACKS, WIRE LEAD

CENTURY INTERCONNECT PRODUCTS (203) 375-5344 FAX (203) 375-1631

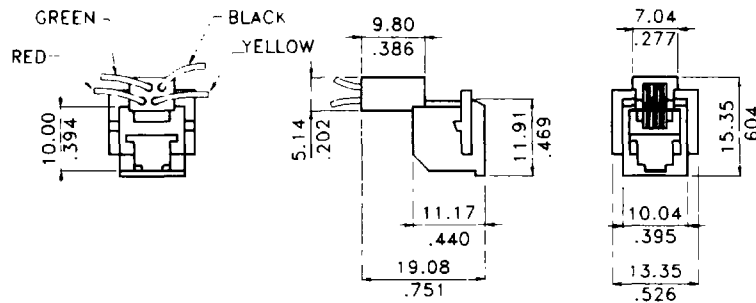
C616EN



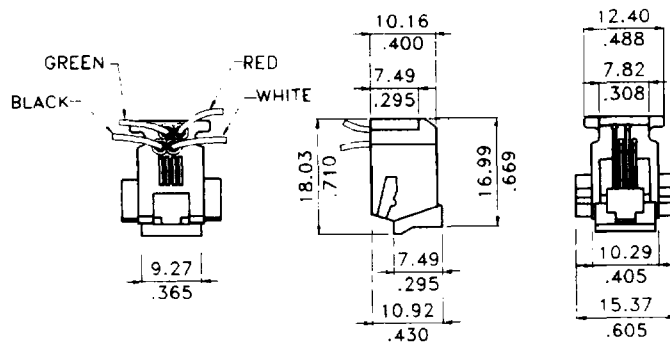
C616J



C616JN



C616K



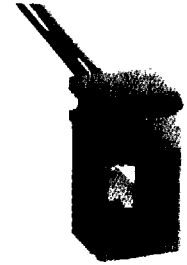
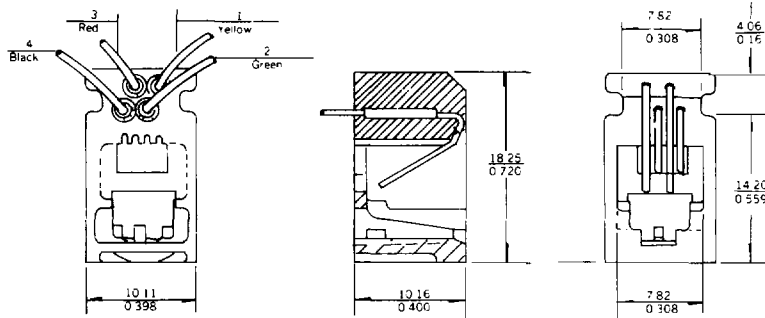
SEE PAGE 81 FOR ORDERING INFORMATION



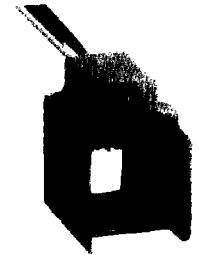
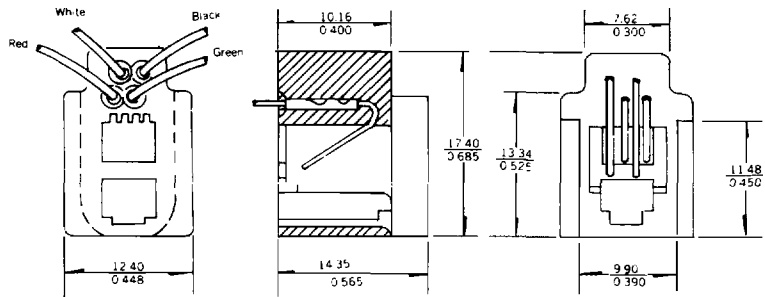
MODULAR JACKS, WIRE LEAD

CENTURY INTERCONNECT PRODUCTS (203) 375-5344 FAX (203) 375-1631

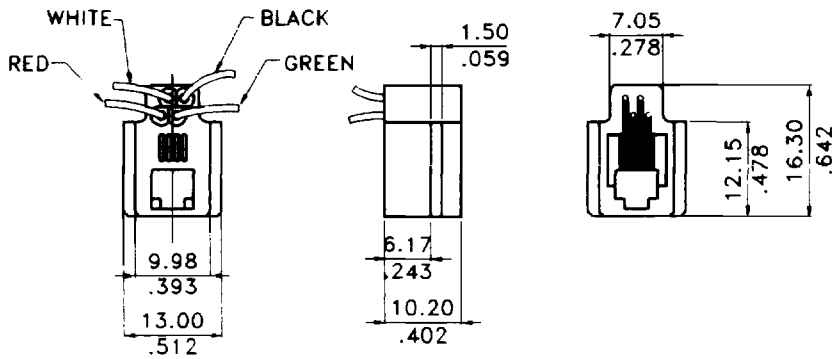
C616L



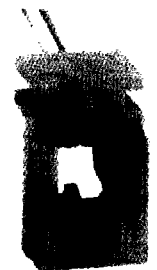
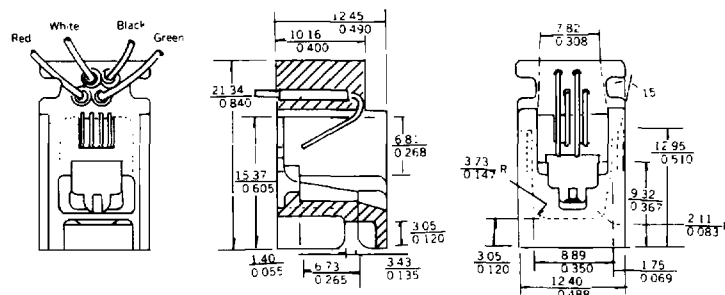
C616M



C616MS



C616P



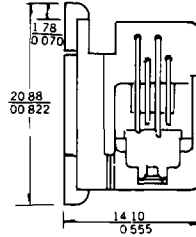
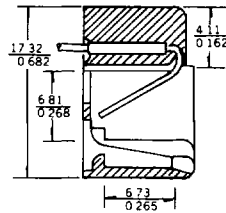
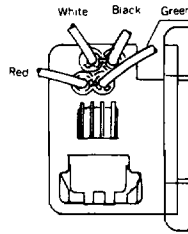
SEE PAGE 81 FOR ORDERING INFORMATION



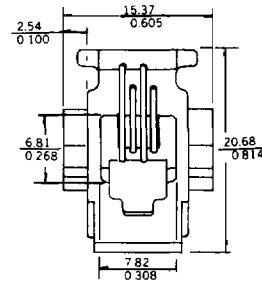
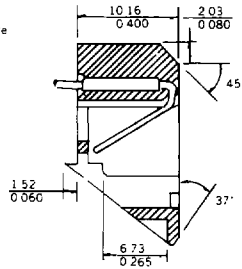
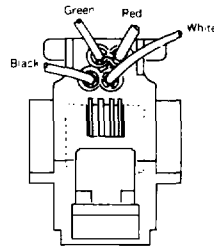
MODULAR JACKS, WIRE LEAD

CENTURY INTERCONNECT PRODUCTS (203) 375-5344 FAX (203) 375-1631

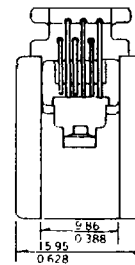
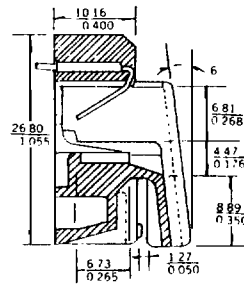
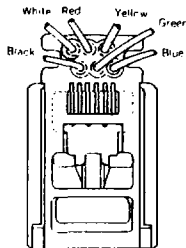
C616T



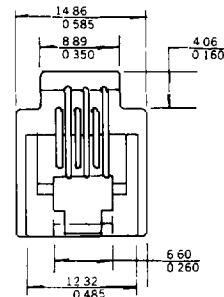
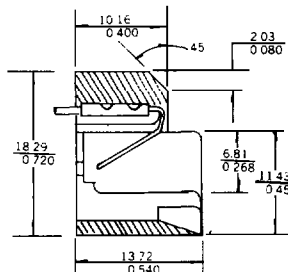
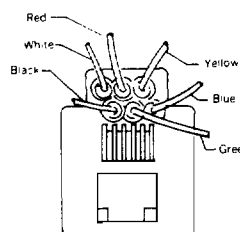
C616W



C623D4
C623D6



C623K4
C623K6



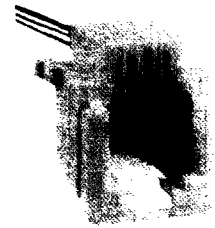
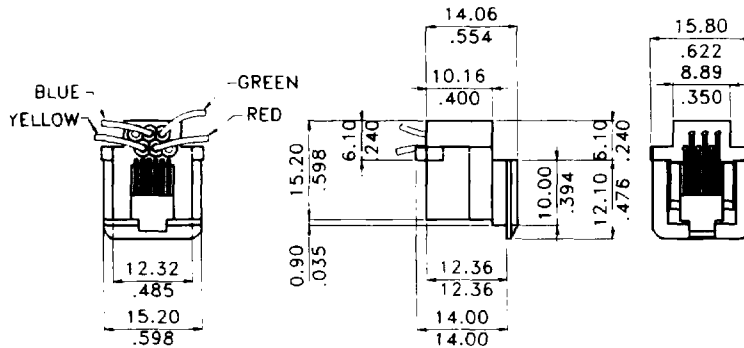
SEE PAGE 81 FOR ORDERING INFORMATION



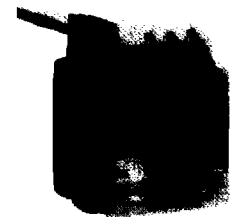
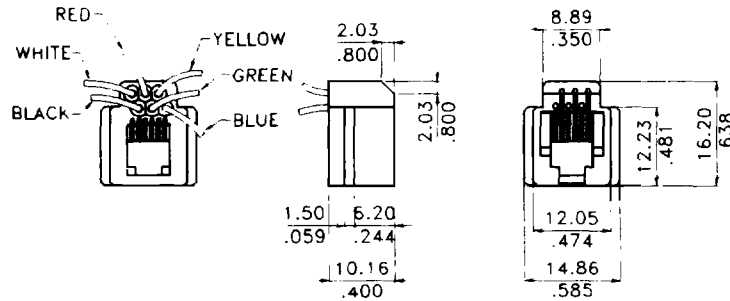
MODULAR JACKS, WIRE LEAD

CENTURY INTERCONNECT PRODUCTS (203) 375-5344 FAX (203) 375-1631

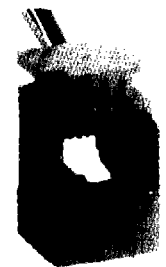
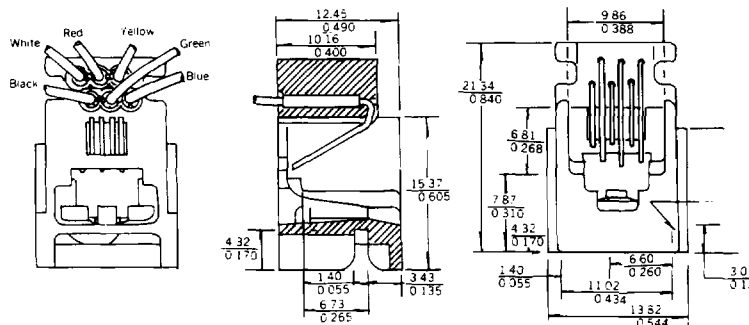
C623KN



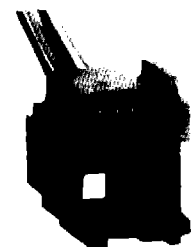
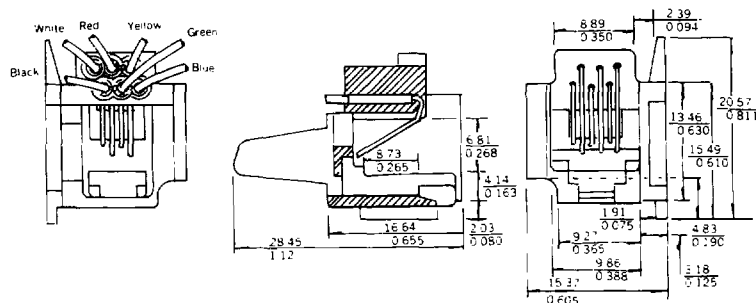
C623M



C623P4
C623P6



C623T4
C623T6



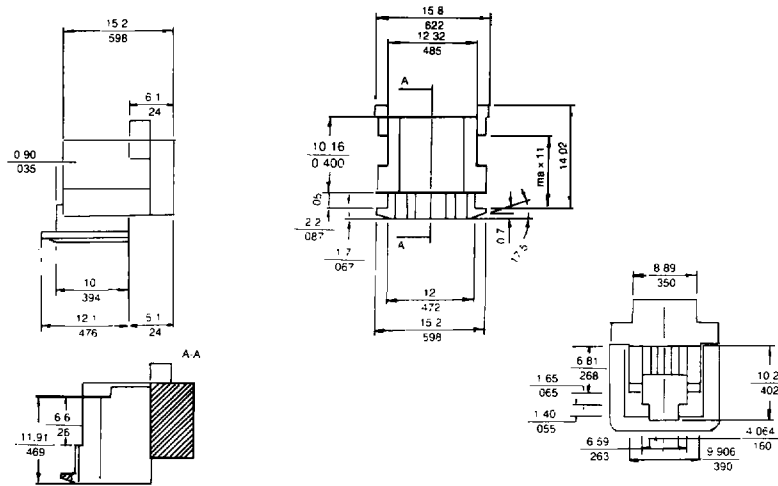
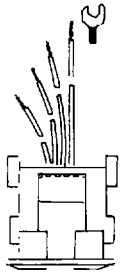
SEE PAGE 81 FOR ORDERING INFORMATION



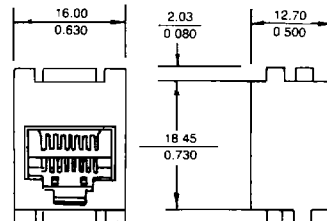
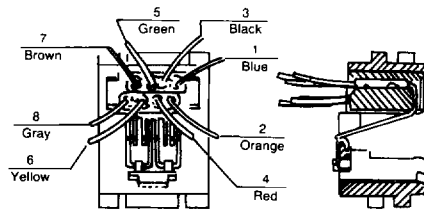
MODULAR JACKS, WIRE LEAD

CENTURY INTERCONNECT PRODUCTS (203) 375-5344 FAX (203) 375-1631

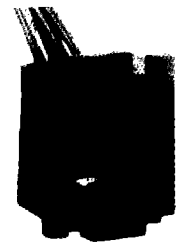
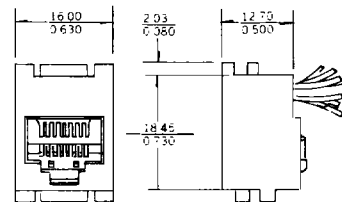
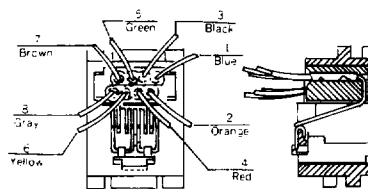
C635



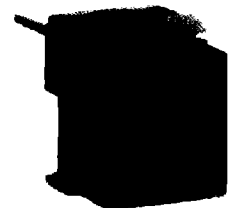
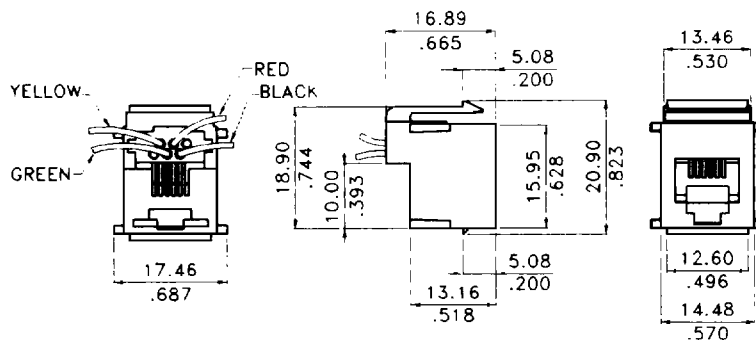
C641TYPE



C647TYPE



C648K



SEE PAGE 81 FOR ORDERING INFORMATION



MODULAR PLUGS

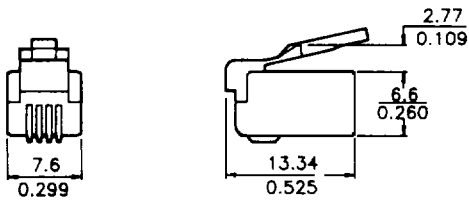
CENTURY INTERCONNECT PRODUCTS (203) 375-5344 FAX (203) 375-1631

SPECIFICATIONS

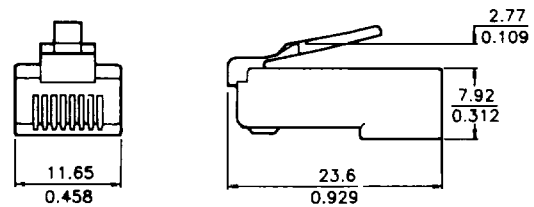
Housing: Polycarbonate (PC) UL94V-0
Contact Material: High strength copper alloy
Contact Plating: Gold over nickel
Insulation Resistance: 10 M ohm min.

Contact Resistance: 20 m ohm max.
Current Rating: 1.5A min.
Dielectric Withstanding Voltage: 1000 RMS

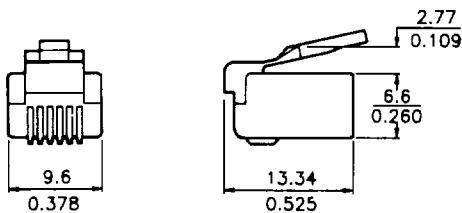
C100 (4 POSITION)



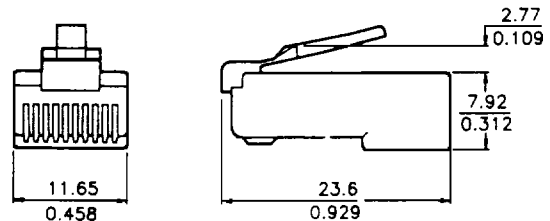
C102-8 (8 POSITION)



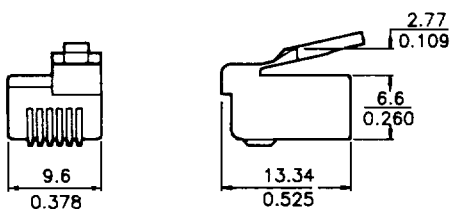
C101 (6 POSITION)



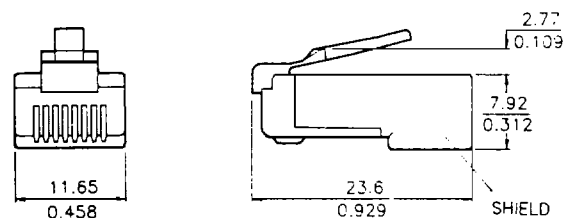
C102-10 (10 POSITION)



C101D (6 POSITION)



SHIELDED MODULAR PLUG C102S (8 POSITION)



SEE PAGE 81 FOR ORDERING INFORMATION

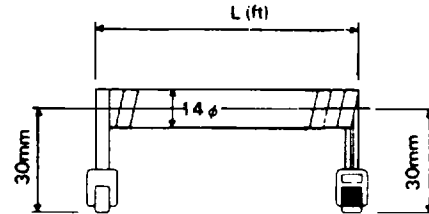


CORD SETS

CENTURY INTERCONNECT PRODUCTS (203) 375-5344 FAX (203) 375-1631

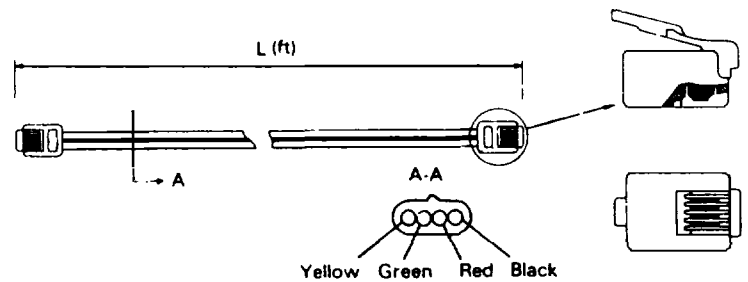
COILED CORD WITH PLUGS ON EACH END

- C-EXH-2XXX (2 Conductors)
 - C-EXH-4XXX (4 Conductors)
 - C-EXH-6XXX (6 Conductors)
 - C-EXH-8XXX (8 Conductors)
- XXX-Length per foot



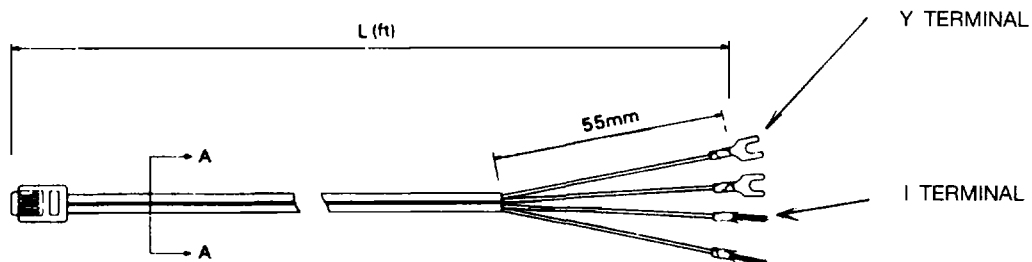
STRAIGHT CORD WITH PLUGS ON EACH END

- C-EXL-2XXX (2 Conductors)
 - C-EXL-4XXX (4 Conductors)
 - C-EXL-6XXX (6 Conductors)
 - C-EXL-8XXX (8 Conductors)
- XXX-Length per foot



STRAIGHT CORD WITH PLUG ON ONE END, TERMINALS ON OTHER END

- | | |
|-----------------------------|-----------------------------|
| C-EXL-2XXXPY (2 Conductors) | C-EXL-2XXXPI (2 Conductors) |
| C-EXL-4XXXPY (4 Conductors) | C-EXL-4XXXPI (4 Conductors) |
| C-EXL-6XXXPY (6 Conductors) | C-EXL-6XXXPI (6 Conductors) |
| C-EXL-8XXXPY (8 Conductors) | C-EXL-8XXXPI (8 Conductors) |
- XXX-Length per foot



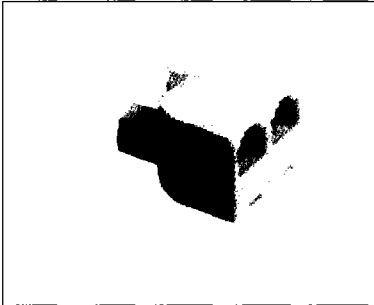


ADAPTERS AND COUPLERS

CENTURY INTERCONNECT PRODUCTS (203) 375-5344 FAX (203) 375-1631

C-T SERIES

DUPLEX "T" ADAPTER

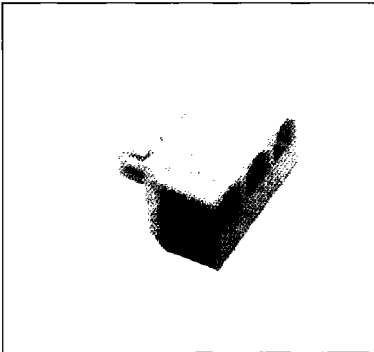


PART NUMBERS:

C-T-64 (6P4C TO 6P4C)
C-T-66 (6P6C TO 6P6C)
C-T-86 (8P6C TO 8P6C)
C-T-88 (8P8C TO 8P8C)

C-3T SERIES

TRIPLEX ADAPTER

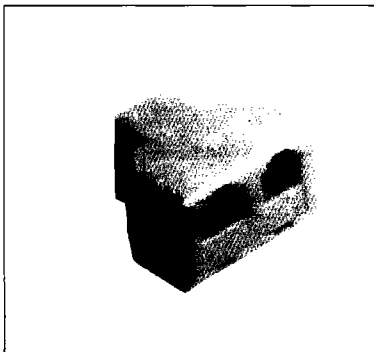


PART NUMBERS:

C-3T-64 (6P4C TO 6P4C)
C-3T-66 (6P6C TO 6P6C)
C-3T-86 (8P6C TO 8P6C)
C-3T-88 (8P8C TO 8P8C)

C-TJ SERIES

MODULAR TRIPLEX COUPLER



PART NUMBERS:

C-TJ-64 (6P4C TO 6P4C)
C-TJ-66 (6P6C TO 6P6C)
C-TJ-86 (8P6C TO 8P6C)
C-TJ-88 (8P8C TO 8P8C)