

## FPC Connectors

# FP-10<sup>SU</sup><sub>SL</sub> Series CIC Type 1.0mm Pitch (SMT)



### ■ Features

1. FPC connector usable with CIC (Carbon in Circuit) printing.
2. Either upper or lower contact location available.
3. Low profile of 2.4mm height when mounted.
4. Using the ZIF structure.
5. Supplied in the embossed taping with automatic mounter.

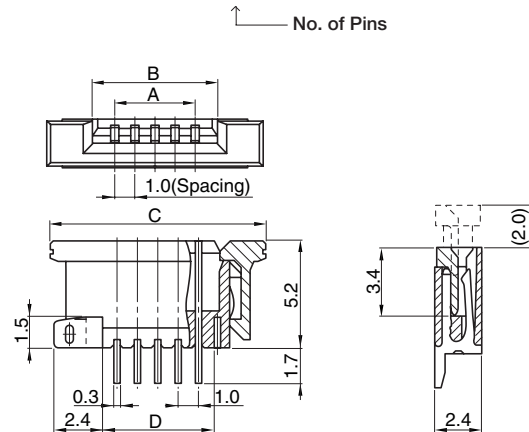
### ■ Specifications

1. Rating : 0.5A, 100V AC/DC
2. Contact Resistance : 30mΩ max.
3. Insulation Resistance : 500MΩ min. at 500V DC
4. Withstanding Voltage : 500V AC (for one minute)
5. Operating Temperature Range : -30°C to +85°C

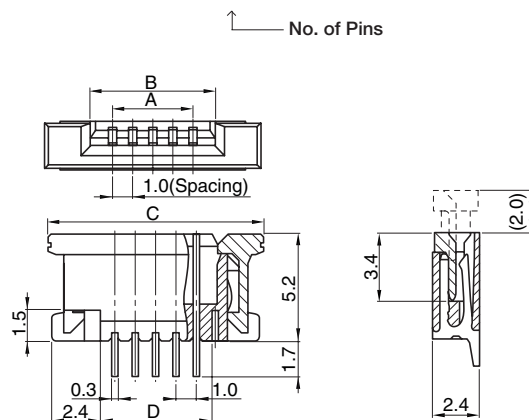
### ■ Material and Plating

- Housing : Thermoplastic Resin, Natural Color, 94V-0
- Cover : Thermoplastic Resin, Natural Color, 94V-0
- Contact : Cu Alloy, Au Plating
- Hold down : Cu Alloy, Sn-Cu Plating

### ● SU Series CFP24□□-0150F (Upper Contact Type)

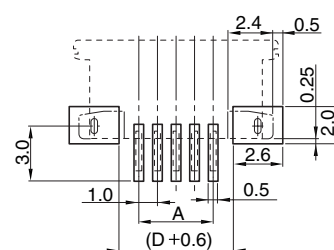


### ● SL Series CFP25□□-0150F (Lower Contact Type)



□□ No. of Pins	A	B	C	D	□□ No. of Pins	A	B	C	D
04	3.0	5.1	9.7	4.5	16	15.0	17.1	21.7	16.5
05	4.0	6.1	10.7	5.5	17	16.0	18.1	22.7	17.5
06	5.0	7.1	11.7	6.5	18	17.0	19.1	23.7	18.5
07	6.0	8.1	12.7	7.5	19	18.0	20.1	24.7	19.5
08	7.0	9.1	13.7	8.5	20	19.0	21.1	25.7	20.5
09	8.0	10.1	14.7	9.5	21	20.0	22.1	26.7	21.5
10	9.0	11.1	15.7	10.5	22	21.0	23.1	27.7	22.5
11	10.0	12.1	16.7	11.5	24	23.0	25.1	29.7	24.5
12	11.0	13.1	17.7	12.5	26	25.0	27.1	31.7	26.5
13	12.0	14.1	18.7	13.5	28	27.0	29.1	33.7	28.5
14	13.0	15.1	19.7	14.5	29	28.0	30.1	34.7	29.5
15	14.0	16.1	20.7	15.5	30	29.0	31.1	35.7	30.5

### ■ P.C. Board Dimension



- FPC plating to recommend : Au plating

### ■ Applicable FPC Dimension (t=0.3±0.05)

