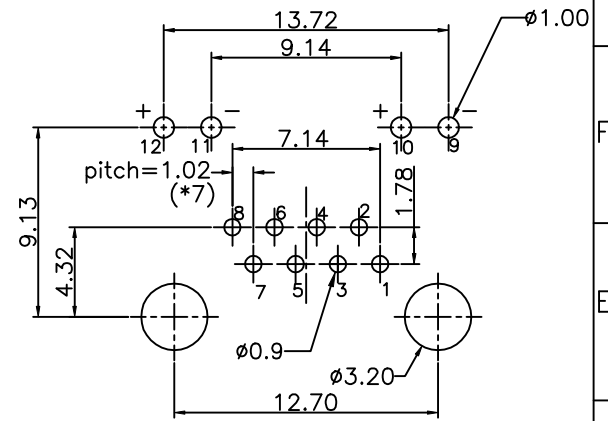
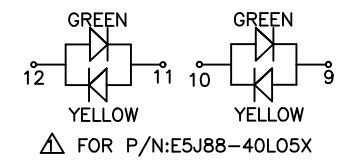
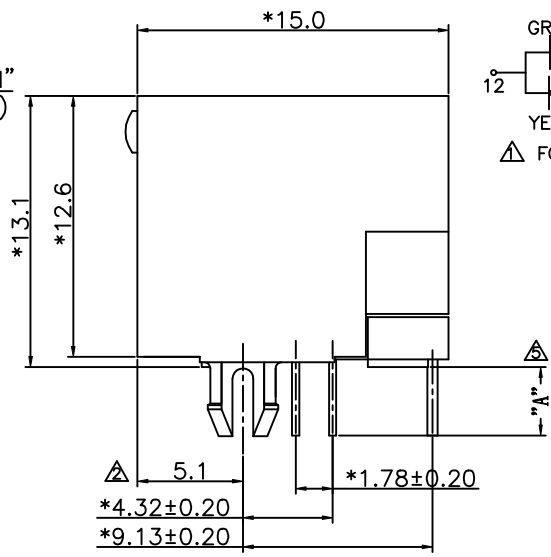
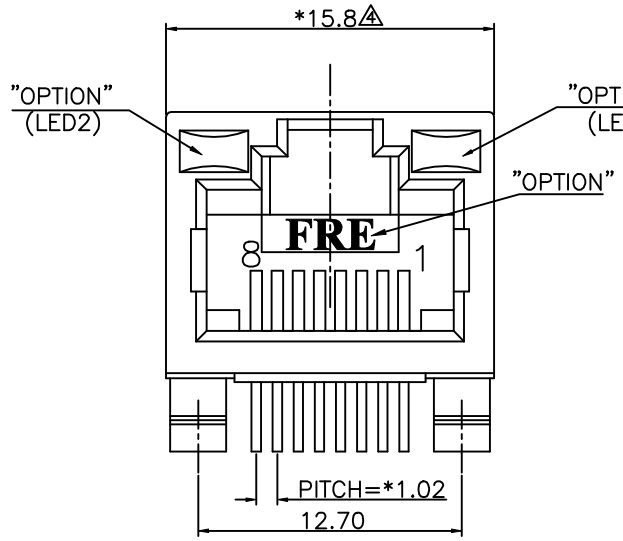


REVISION RECORD				
REV	ECO	DESCRIPTION	DRFT	CHKD
△		DRAWING MODIFY	IRONDR 08/29/02	
△		DRAWING MODIFY	JAKE 03/24/04	
△		DRAWING MODIFY	JAKE 03/29/04	
△		DRAWING MODIFY	JAKE 04/20/04	
△		DRAWING MODIFY	JAKE 09/14/04	
△		ADD NEW P/N	SUNLL 10/09/04	
△		ADD NEW P/N	PETES 1/9/05	



NOTES:

ELECTRICAL:

- VOLTAGE RATING : 125 VAC RMS.
- CURRENT RATING : 1.5 AMP.
- CONTACT RESISTANCE : 30 MILLIOHMS MAX.
- INSULATION RESISTANCE: 1000 MEGOHMS MIN @ 500 VDC.
- DIELECTRIC STRENGTH : 1000 VAC RMS 60Hz, 1MIN.
- LED RATINGS: FORWARD VOLTAGE: 2.2 VOLTS TYPICAL. REVERSE VOLTAGE: 5 VOLTS MAXIMUM.
- OPERATING: 750 CYCLES MIN.

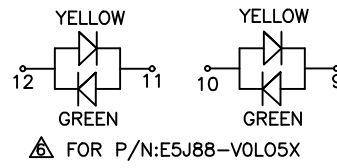
MECHANICAL:

- HOUSING MATERIAL : PBT+30%GF UL94V-0. COLOR-BLACK.
- INSERT MATERIAL : PBT+30%GF UL94V-0. COLOR-BLACK.
- LENS MATERIAL : PC UL94V-0. COLOR-CLEAR.
- BACK PLATE MATERIAL : PBT+30%GF. COLOR-BLACK.
- LED SIZE : 3.2*2.0*7.0*P=2.54mm. △
- CONTACT MATERIAL : PHOSPHOR BRONZE 0.35mm THICKNESS
- PLATING : GOLD PLATING OVER NICKEL.
- PCB RETENTION PRE-SOLDER LB MIN.
- PCB RETENTION POST-SOLDER: 10 LBS MIN.

ENVIRONMENTAL:

- STORAGE : -40°C TO +85°C.
 - OPERATION: 0°C TO 70°C.
- MATES WITH MODULAR PLUG CONFORMING TO FCC PART 68, SUBPART F.
CUL File No:E163191

ITEM	"A"
05	2.67±0.20
06	3.3±0.20



PART NUMBER: E 5J 8 8 - X 0 L X X X

- 1-LED1:GREEN ,LED2:YELLOW
- 2-LED1:GREEN ,LED2:GREEN
- 3-LED1:YELLOW ,LED2:GREEN
- 4-LED1:G+Y ,LED2:G+Y
- 5-LED1:RED ,LED2:GREEN
- 7-LED1:YELLOW ,LED2:YELLOW
- E-LED1:GREEN ,LED2:RED △
- V-LED1:Y+G △ ,LED2:Y+G

PC Board Layout(t=1.60)

- PLATING: 1-3u"
- 2-6u"
- 3-15u"
- 4-30u"
- 5-50u"

- 05-PIN LENGTH 2.67
- 06-PIN LENGTH 3.3
- △25-W/FRE W/O UL PIN LENGTH 2.67

DETAILED LISTS	MM (INCH)	DFTO IRONDR	DATE 08/22/02	FULL RISE ELECTRONIC CO., LTD	
	TOLERANCES EXCEPT AS NOTED	CHKD JAKE	DATE 2005/1/7		
	.0 ± 0.20 ±	MFO	DATE	TITLE W/O SHIELD LED JACK	
	.00 ± 0.15 ±	APPVLLUSHENG	DATE 2005/1/7		
.000 ± 0.075 ±	MATERIAL :	DRAWING NO. GE5J3047		SIZE A3	REV 7
ANGLES ±	QTY :	/PART NO. SEE NOTE		DO NOT SCALE DRAWING	
THIRD ANGLE PROJECTION	FINISH :	SCALE : 4:1		SHEET 1 OF 1	