

Multilayer Varistor for ESD pulse [DC voltage lines]

Series : **EZJS**



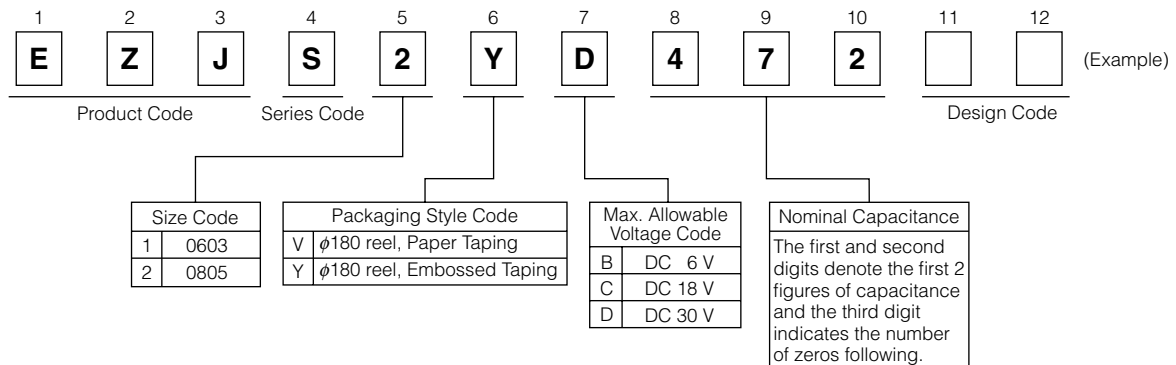
■ Features

- Excellent ESD suppression due to advanced material technology
- Meets IEC61000-4-2, Special Level 30 kV standard
- Can replace 2 Zener Diodes and 1 Capacitor
- RoHS compliant

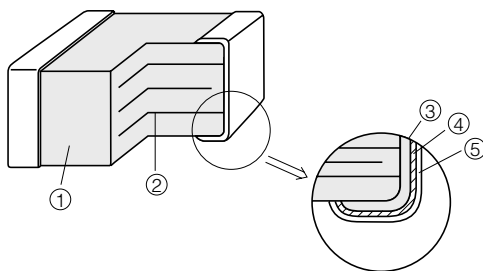
■ Packaging Methods, Handling Precautions

Please see Data Files

■ Explanation of Part Numbers

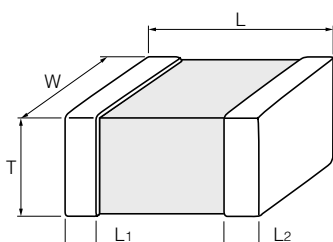


■ Construction



No.	Name
①	Semiconductive Ceramics
②	Internal electrode
③	Substrate electrode
④	Terminal electrode
⑤	External electrode

■ Dimensions in mm (not to scale)



Size Code	Size(inch)	L	W	T	L ₁ , L ₂
1	0603	1.60±0.15	0.8±0.1	0.8±0.1	0.3±0.2
2	0805	2.0±0.2	1.25±0.20	0.8±0.2	0.50±0.25
				1.25±0.20	

Design and specifications are each subject to change without notice. Ask factory for the current technical specifications before purchase and/or use. Should a safety concern arise regarding this product, please be sure to contact us immediately.

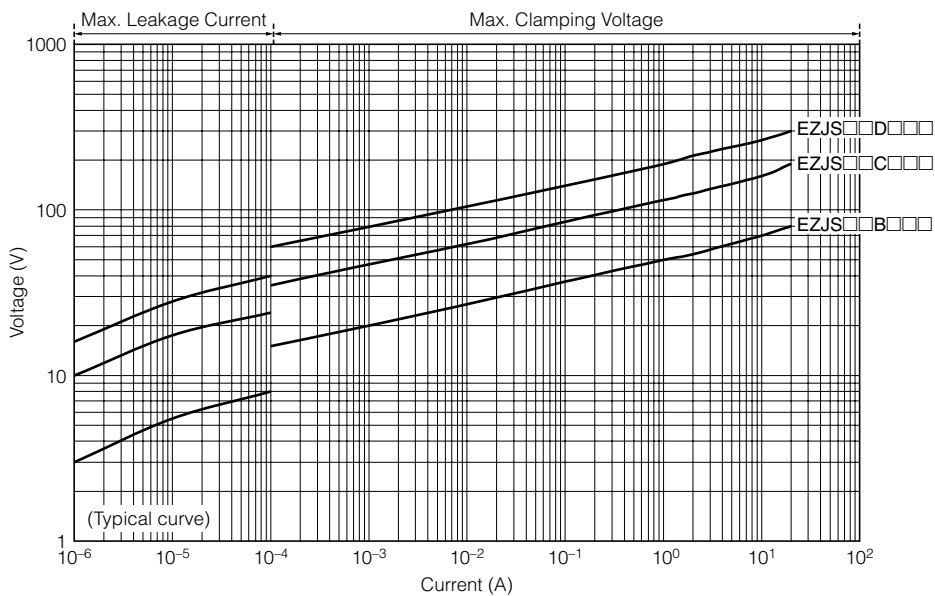
■ Ratings and Characteristics

Size	Part No.	Maximum Allowable Voltage DC (V)	Nominal Varistor Voltage at 0.1 mA (V)	Capacitance at 1 kHz (pF)	Maximum ESD IEC61000-4-2
0603	EZJS1VB822	6	12	8200 typ.	Contact discharge : 30 kV
	EZJS1VC392	18	30	3900 typ.	
	EZJS1VD182	30	50	1800 typ.	
0805	EZJS2VB223	6	12	22000 typ.	
	EZJS2YC822	18	30	8200 typ.	
	EZJS2YD472	30	50	4700 typ.	

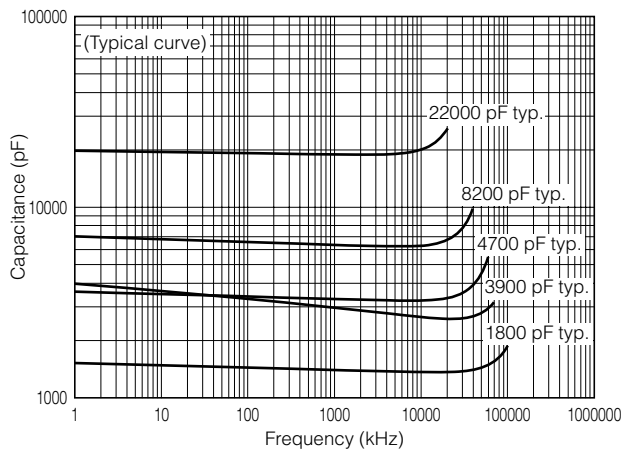
● Operating Temperature Range: -40 to 85 °C

* Avoid flow soldering

■ Voltage vs. Current



■ Frequency vs. Capacitance



■ Frequency vs. Transmission

