

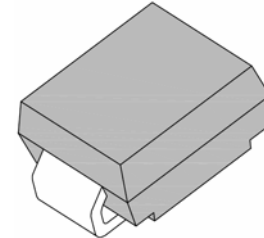
## 3.0A Surface Mount Sintered Glass Passivated Rectifier

### GF3AB - GF3MB

### 3.0A Surface Mount Sintered Glass Passivated Rectifier

#### Features

- Sintered glass passivated (SGP) rectifier chip
- Glass passivated cavity-free junction
- High forward surge current capability
- Plastic package has underwriters laboratory flammability classification 94V-0
- High temperature soldering: 260 °C / 10 seconds at terminals
- RoHS compliant



**SMB  
(DO-214AA)**



#### Mechanical Data

<b>Case:</b>	JEDEC SMB(DO-214AA) molded plastic
<b>Terminals:</b>	Solder plated solderable per MIL-STD-750, Method 2026
<b>Polarity:</b>	Cathode end indicated by color band
<b>Weight:</b>	0.004 Ounce, 0.12 gram

#### Maximum Ratings & Electrical Characteristics ( $T_{Ambient}=25^{\circ}C$ unless noted)

Symbol	Description	GF3AB	GF3BB	GF3DB	GF3GB	GF3JB	GF3KB	GF3MB	Unit	Conditions
	Marking Code	GF3A	GF3B	GF3D	GF3G	GF3J	GF3K	GF3M		
<b>VRRM</b>	Max. Recurrent Peak Reverse Voltage	50	100	200	400	600	800	1000	V	
<b>VRMS</b>	Max. RMS Voltage	35	70	140	280	420	560	700	V	
<b>VDC</b>	Max. DC Blocking Voltage	50	100	200	400	600	800	1000	V	
<b>IF(AV)</b>	Max. Average Rectified Current	3.0							A	
<b>IFSM</b>	Peak Forward Surge Current	115							A	
<b>VF</b>	Max. Instantaneous Forward Voltage	1.0							V	IF=3.0A
<b>IR</b>	Max. DC Reverse Current at Rated DC Blocking Voltage	5							μA	TA=25 °C
		50								TA=125 °C
		100								TA=150 °C
<b>CJ</b>	Typical Junction Capacitance	40							pF	
<b>Rθ-JA</b>	Max. Thermal Resistance	47							° C/W	
<b>Rθ-JL</b>		13								
<b>TJ,TSTG</b>	Operating Junction and Storage Temperature Range	-65 to 175							° C	

# 3.0A Surface Mount Sintered Glass Passivated Rectifier

## GF3AB - GF3MB

### Typical Characteristics Curves

Fig.1- Forward Current Derating Curve

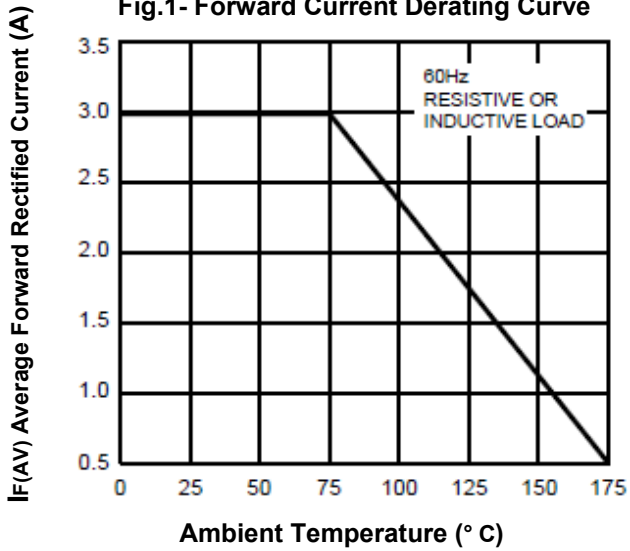


Fig.2-Max. Non-Repetitive Forward Surge Current

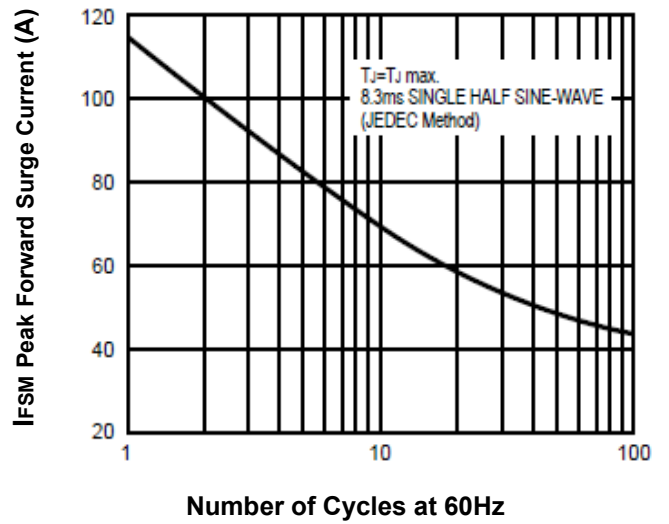


Fig.3- Typical Instantaneous Forward Characteristics

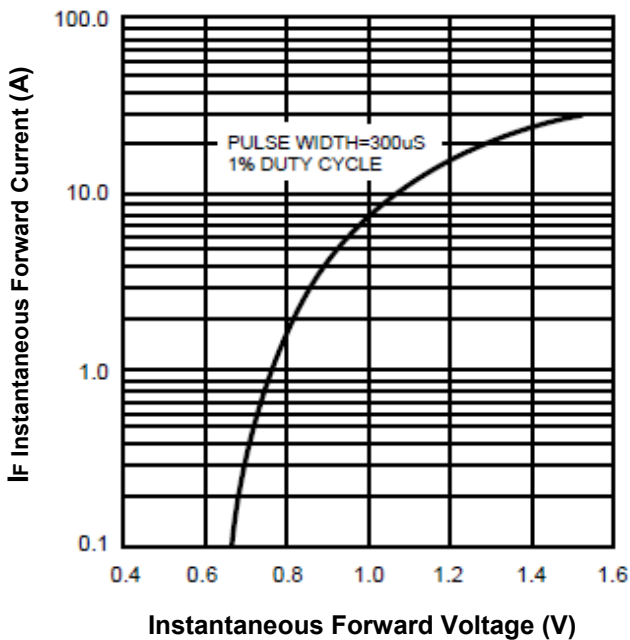
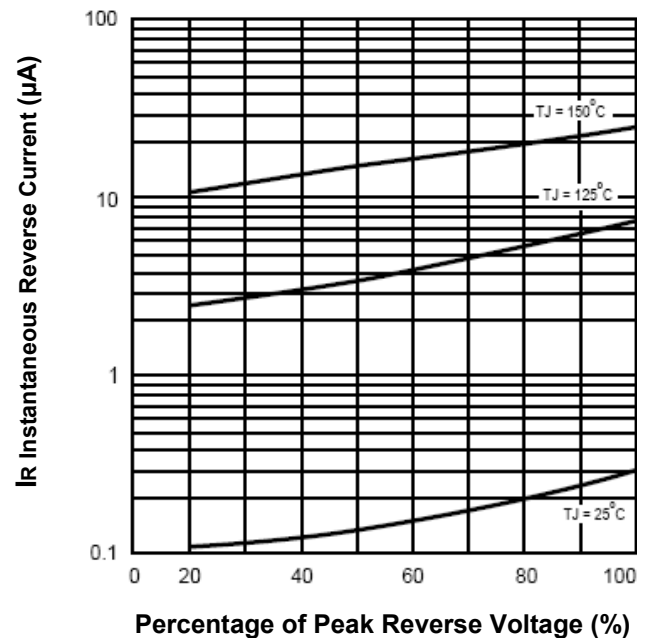


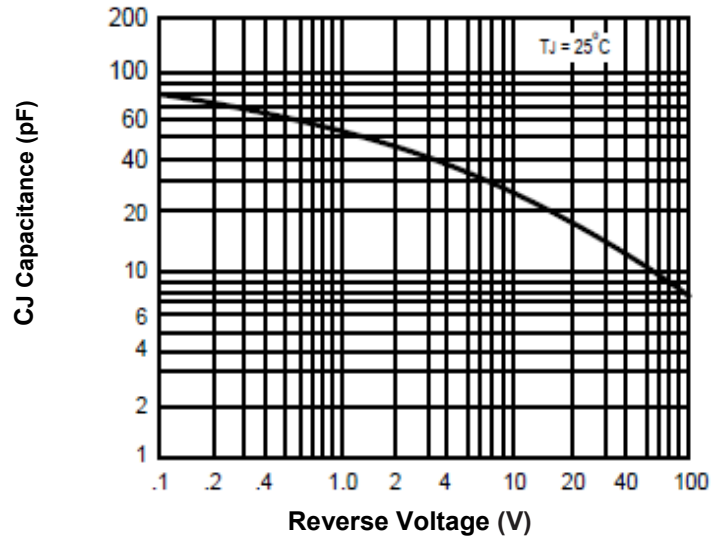
Fig.4- Typical Reverse Characteristics



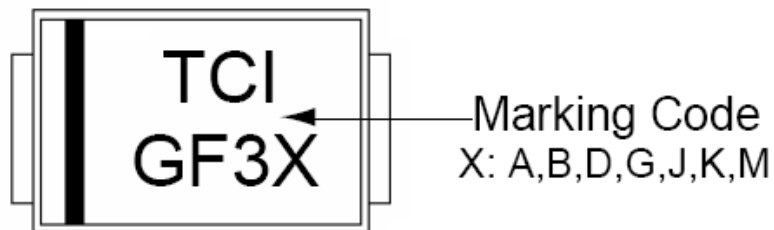
# 3.0A Surface Mount Sintered Glass Passivated Rectifier

## GF3AB - GF3MB

Fig.5- Junction Capacitance



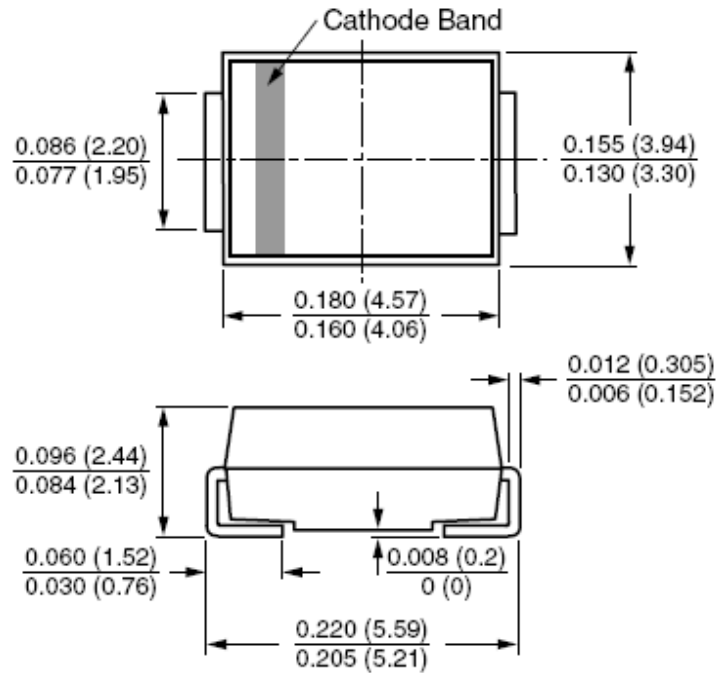
### Marking Information:



# 3.0A Surface Mount Sintered Glass Passivated Rectifier

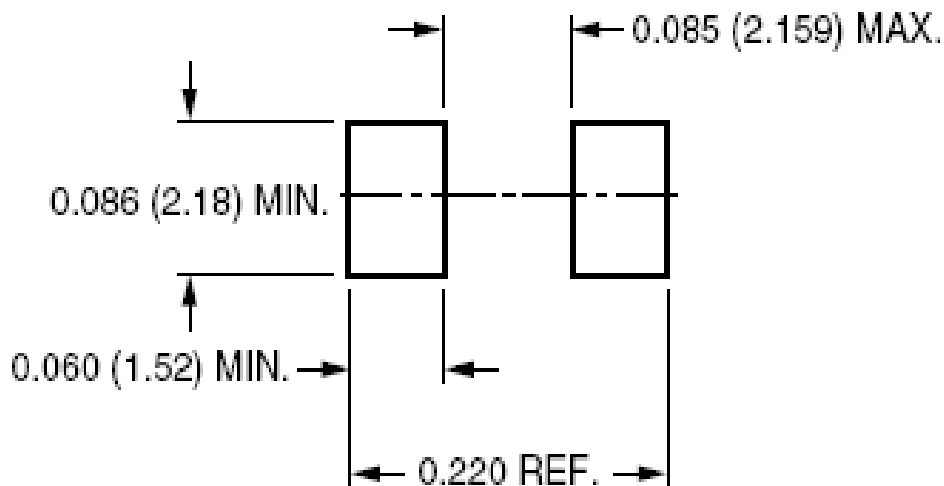
## GF3AB - GF3MB

### Dimensions in inch (mm)



**DO-214AA  
(SMB)**

### Mounting Pad Layout in inch (mm)



## 3.0A Surface Mount Sintered Glass Passivated Rectifier

---

**GF3AB - GF3MB**

### How to contact us:

**US HEADQUARTERS**

28040 WEST HARRISON PARKWAY, VALENCIA, CA 91355-4162

Tel: (800) TAITRON (800) 824-8766 (661) 257-6060

Fax: (800) TAITFAX (800) 824-8329 (661) 257-6415

Email: [taitron@taitroncomponents.com](mailto:taitron@taitroncomponents.com)

Http://[www.taitroncomponents.com](http://www.taitroncomponents.com)

**TAITRON COMPONENTS MEXICO, S.A .DE C.V.**

BOULEVARD CENTRAL 5000 INTERIOR 5 PARQUE INDUSTRIAL ATITALAQUIA, HIDALGO C.P.  
42970 MEXICO

Tel: +52-55-5560-1519

Fax: +52-55-5560-2190

**TAITRON COMPONENTS INCORPORATED REPRESENTAÇÕES DO BRASIL LTDA**

RUA DOMINGOS DE MORAIS, 2777, 2.ANDAR, SALA 24 SAÚDE - SÃO PAULO-SP 04035-001 BRAZIL

Tel: +55-11-5574-7949

Fax: +55-11-5572-0052

**TAITRON COMPONENTS INCORPORATED, SHANGHAI REPRESENTATIVE OFFICE**

METROBANK PLAZA, 1160 WEST YAN' AN ROAD, SUITE 1503, SHANGHAI, 200052, CHINA

Tel: +86-21-5424-9942

Fax: +86-21-5424-9931