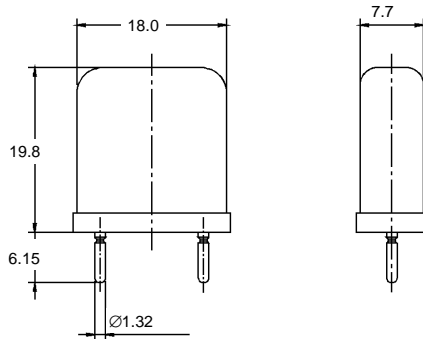
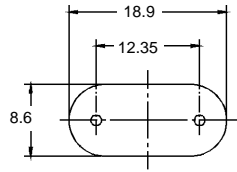


## Quartz Crystal Units AT-Cut, 1 - 300 MHz



All dimensions in mm (max)

DIN 45110: Q1A  
 IEC 122-3: DA  
 NFC-93-601: n<sup>o</sup> 8  
 MIL-H-10056: HC-27/U  
 Vacuum sealed glass enclosure  
 Crystal sockets F01, F02, F08  
**Quartz crystal units with  
 aging <math>\pm 1\text{ ppm / year}</math>**

HC-27/U			Temperature Stability in the Temperature Range						Nom. Temp. $\pm 5^{\circ}\text{C}^1)$
			-55°C...+105°C		-20°C...+70°C				
Overtone	Frequency [MHz]	Type	$\pm 50\text{ppm}$	$\pm 25\text{ppm}$	$\pm 20\text{ppm}$	$\pm 10\text{ppm}$	$\pm 7\text{ppm}$	$\pm 5\text{ppm}$	$\pm 2\text{ppm}$
1.OT	0.8...3.0	XS 35xx	01	----	03	----	----	----	05
	3.0...8.0	XS 35xx	11	12	13	14	16	----	15
	8.0...30	XS 36xx	01	02	03	04	06	07	05
3.OT	15...90	XS 37xx	01	02	03	04	06	07	05
5.OT	40...150	XS 38xx	01	02	03	04	06	07	05
7.OT	100...210	XS 39xx	01	02	03	04	06	07	05
9.OT	150...300	XS 39xx	11	12	13	14	16	17	15

**Calibration tolerance:  $\pm 10$  ppm**

<sup>1)</sup>Nom. Temp. = Nominal temperature for oven application to be given with the order.

### Motional Resistance R1

Overtone	Frequency [MHz]	R1max [ $\Omega$ ]
1. OT	1.0...1.5	500
1. OT	1.5...2.0	220
1. OT	2.0...3.0	110
1. OT	3.0...5.0	60
1. OT	5.0...8.0	30
1. OT	8.0...15	20
1. OT	15...30	10
3. OT	15...90	30
5. OT	40...150	50
7. OT	110...210	100
9. OT	150...300	180

Standard resonance for fundamental crystals: load resonance with  $C_L = 30 \pm 0.5\text{pF}$   
 Overtone crystals: series mode  
 Shunt capacitance:  $C_0 = 7\text{pF max}$

Crystal units with different tolerances or additional data upon request.



**VECTRON  
 INTERNATIONAL**  
 A DOVER TECHNOLOGIES COMPANY

166 Glover Avenue  
 Norwalk, CT 06856

Tel: 1-88-VECTRON-1  
 Fax: 1-88-FAX-VECTRON  
 www.vectron.com