

### Voltage Step-up Coils

Japan

Series: **Chip**  
Type: **3KN, 5KN**



ELT3KN

High inductance Voltage Step-up coil chip series for piezo-electric buzzer and DC-DC circuit of EL



ELT5KN

**NEW**

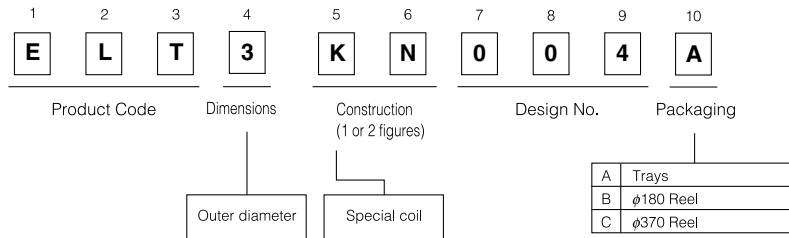
Industrial Property: Patents 3 (pending)

#### ■ Features

- Small and thin
- High inductance

#### ■ Recommended Applications

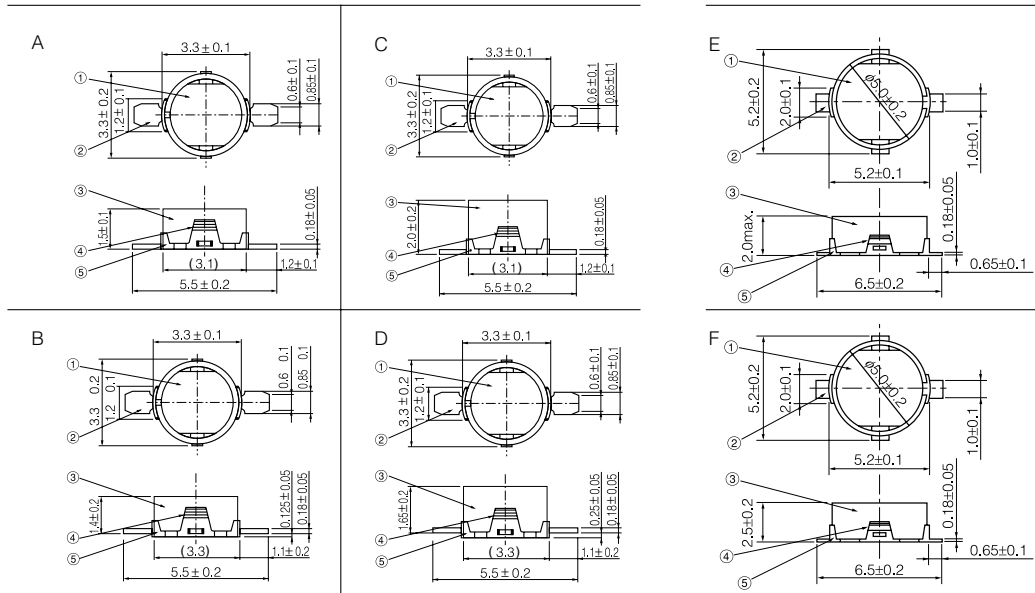
- Watches, Toys, Camera, Electronic thermometers
- Pagers, PHS, Portable telephones



#### ■ Dimensions in mm (not to scale)

● Type 3KN

● Type 5KN



Part Name: ① Core ② Terminal ③ Ring ④ Coil ⑤ Terminal board

Design and specifications are subject to change without notice. Ask factory for technical specifications before purchase and/or use.  
Whenever a doubt about safety arises from this product, please contact us immediately for technical consultation.

### ■ Examples Type 3KN

Part No.	Inductance		R. D. C		I.D.C max. (mA)	Dimensions	Magnetic Composition			
	(mH)	Tolerance(%)	(Ω)	Tolerance(%)						
ELT3KN004□	14.0	±40	125	±10	1.7	A	Permalloy ring			
ELT3KN007□	20.0		170		1.4					
ELT3KN113□	1.0	±10	34	±15	25.0		Brass ring			
ELT3KN126□	1.5		49		29.0					
ELT3KN019□	14.0	±40	125	±10	1.7	B	Permalloy ring			
ELT3KN109□	3.8	±10	115	±20	15.0		Brass ring			
ELT3KN114□	2.5			83	±15	15.0	C	Permalloy ring		
ELT3KN014□	30.0	±40	150	1.9						
ELT3KN018□	35.0		235	±10	1.4					
ELT3KN032□	25.0	185	±15	10.0						
ELT3KN028□	50.0	±35		250	1.4					
ELT3KN101□	10.0	±10	285	±10	1.4	C	Brass ring			
ELT3KN104□	1.0		35	±15	30.0					
ELT3KN118□	2.5		64		20.0					
ELT3KN122□	2.0		44		20.0					
ELT3KN124□	4.0		85		15.0					
ELT3KN128□	0.56		15		45.0					
ELT3KN130□	2.3		51		23.0					
ELT3KN133□	7.5		177		10.0					
ELT3KN020□	30.0		±30		150			2.5	D	Permalloy ring
ELT3KN111□	7.5		±10		177			10.0		Brass ring
ELT3KN125□	4.0	85			15.0					

□ shows the packaging method.

### ■ Examples Type 5KN

Part No.	Inductance		R. D. C		I.D.C max. (mA)	Dimensions	Magnetic Composition
	(mH)	Tolerance (%)	(Ω)	Tolerance (%)			
ELT5KN117□	0.47	±10	5.4	±15	65	E	Brass ring
ELT5KN118□	0.56		6.0		60		
ELT5KN119□	0.68		7.9		55		
ELT5KN120□	2.70		33.0		35		
ELT5KN121□	4.70		58.0		25		
ELT5KN126□	0.047		0.6	±20	270	F	
ELT5KN127□	0.22		2.4	100			
ELT5KN116□	20.00		231.0	±15	11		
ELT5KN122□	3.00		27.0		40		
ELT5KN123□	2.70		37.0		45		
ELT5KN124□	5.60	60.0	22				
ELT5KN125□	4.30	36.0	30				

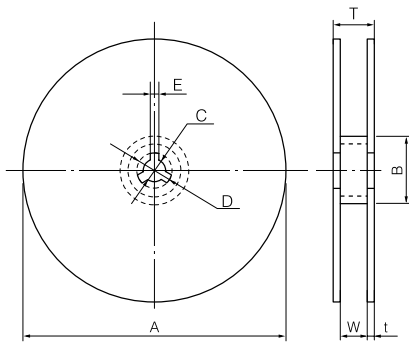
□ shows the packaging method.

### ■ Packaging Methods

#### ● Standard Packing Quantity

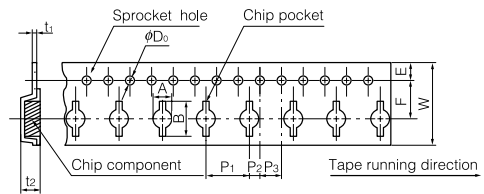
Packaging	Type 3KN	Type 5KN	Note
A	1000 pcs.	500 pcs.	3KN :100/tray (10 trays) 5KN :100/tray (5trays)
B	1000 pcs.	—	Embossed taping
C	5000 pcs.	4000 pcs.	

#### ● Reel Dimensions in mm (not to scale)



Dimensions	A	B	C	D	E	W	t
Packaging B	180	60	13	21	2	13	1.1
Packaging C	370	60	13	21	2	14	2.0

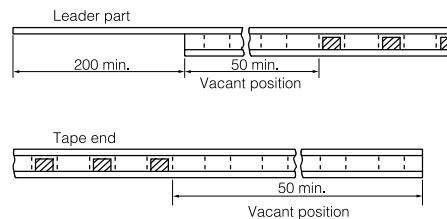
#### ● Embossed Carrier Tape Dimensions in mm (not to scale)



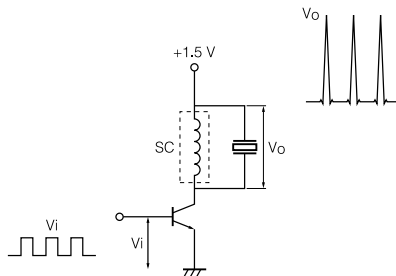
Dimensions	A	B	W	F	E	P <sub>1</sub>
Type 3KN	3.7	6.4	12.0	5.5	1.75	8.0
Type 5KN	5.5	6.8				

Dimensions	P <sub>2</sub>	P <sub>3</sub>	$\phi D_0$	t <sub>1</sub>	t <sub>2</sub>
Type 3KN	2.0	4.0	1.5	0.3	2.6
Type 5KN					2.8

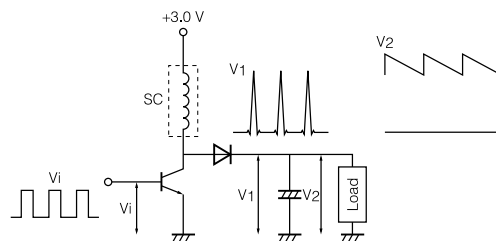
#### ● Leader Part, Vacant Position



### ■ Applied Diagram Examples



For making sound



For E. L./DC-DC