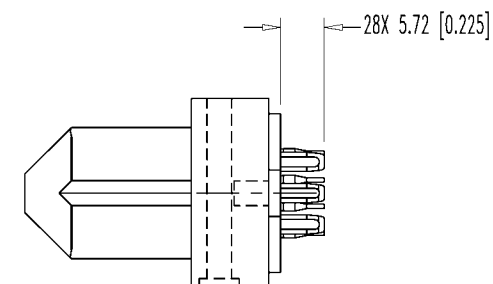
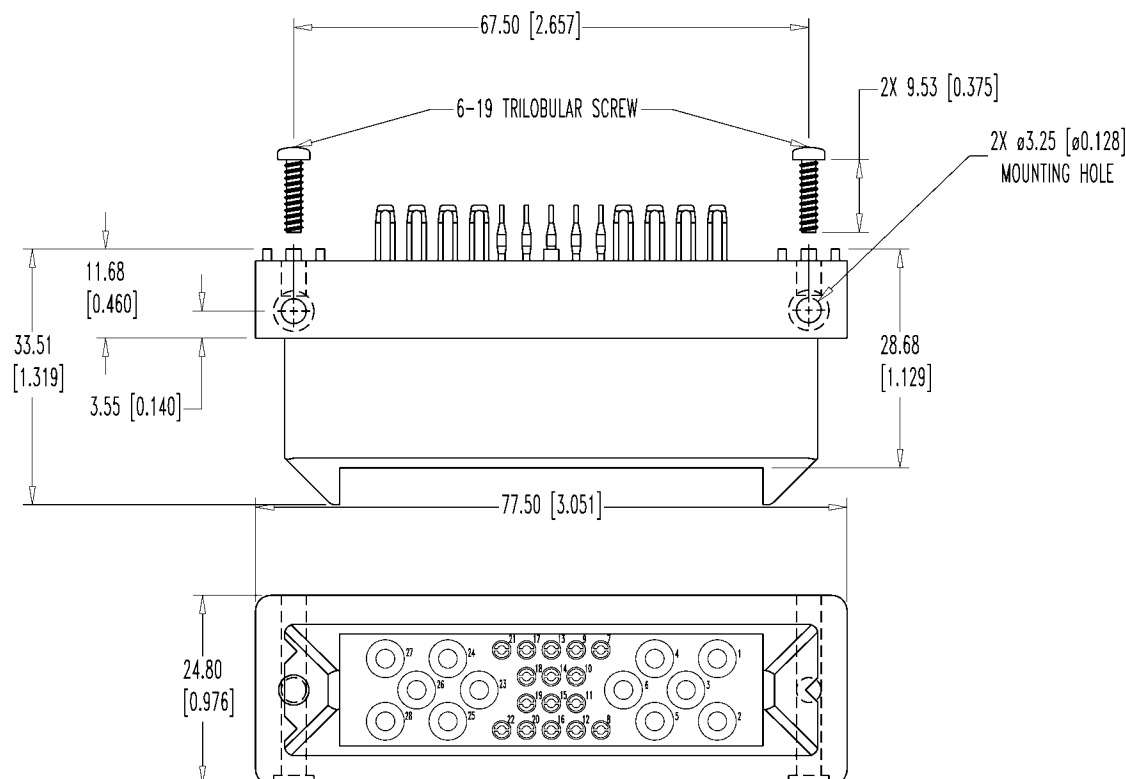


POSITRONIC INDUSTRIES BELIEVES THE DATA ON THIS DRAWING TO BE RELIABLE. SINCE THE TECHNICAL INFORMATION IS GIVEN FREE OF CHARGE, THE USER EMPLOYS SUCH INFORMATION AT HIS OWN DISCRETION AND RISK. POSITRONIC INDUSTRIES ASSUMES NO RESPONSIBILITY FOR RESULTS OBTAINED OR DAMAGES INCURRED FROM USE OF SUCH INFORMATION IN WHOLE OR IN PART.

DATE	REV	REVISION RECORD	APP	DR	CK
7-18-01	NC	ECO 18052	RCW	ME	TK
8-29-05	A	ECO 24537		TH	



NOTES:

1. MATERIAL AND FINISHES:

INSULATOR: GLASS FILLED POLYESTER, UL 94V-0 BLUE COLOR.

CONTACTS: PRECISION MACHINED COPPER ALLOY WITH GOLD FLASH OVER NICKEL.

MOUNTING SCREWS: STEEL, ZINC PLATED.

2. ELECTRICAL CHARACTERISTICS:

INITIAL CONTACT RESISTANCE: SIZE 12: 0.005 OHMS, MAXIMUM

SIZE 20: 0.007 OHMS, MAXIMUM

PER IEC 512-2. TEST 2b.

INSULATOR RESISTANCE: 5 G OHMS PER IEC 512-2, TEST 3a.

3. MECHANICAL CHARACTERISTICS:

POLARIZATION: PROVIDED BY CONNECTOR BODY DESIGN.

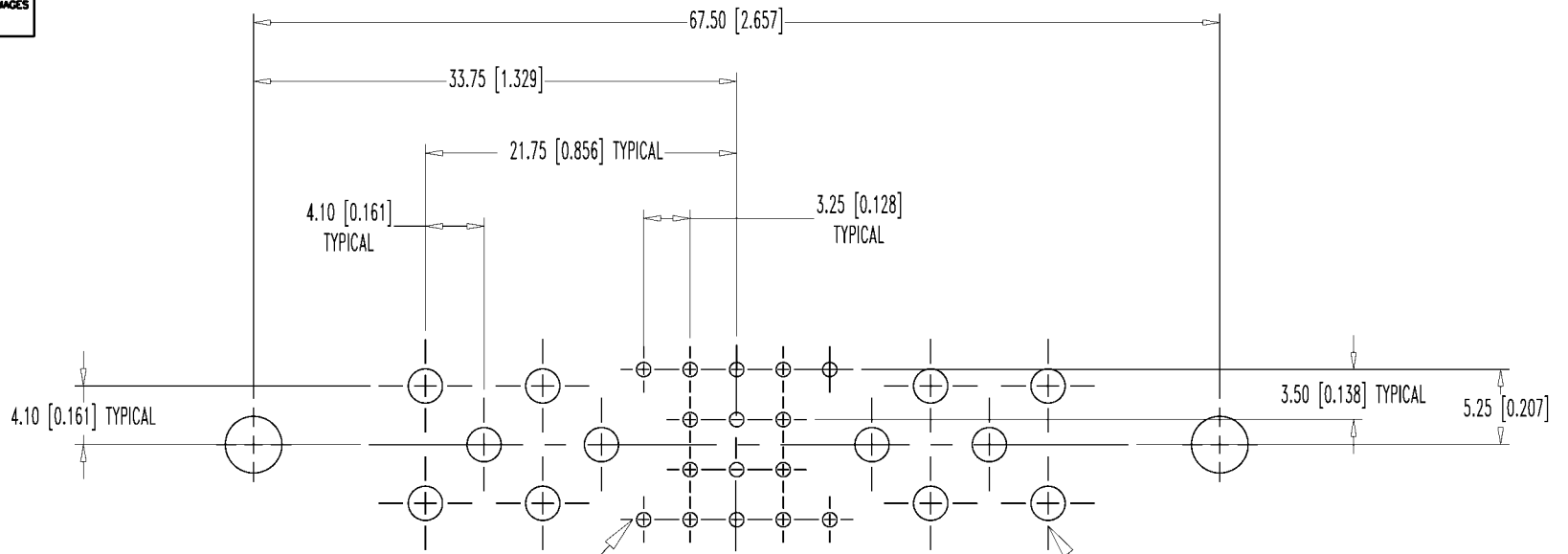
FIXED CONTACTS: COMPLIANT.

4. WORKING TEMPERATURE: -55°C TO +125°C.

5. DIMENSIONS ARE IN MILLIMETERS [INCHES].

		POSITRONIC INDUSTRIES INC.		www.connectpositronic.com	
	MINI-INFINITY SERIES	SCALE	DRAWN BY	M. ENEA	
DECIMAL TOL.	12 SIZE 12, 16 SIZE 20 CONTACTS	N.T.S.	APPROVED BY	RCW	
± 0.38 [0.015]	TITLE				
MIP28W12F9300A1					
ANGULAR TOL.	DATE	DRAWING NUMBER	REV.		
± N/A	7-18-01	SK3845	1 OF 2		A

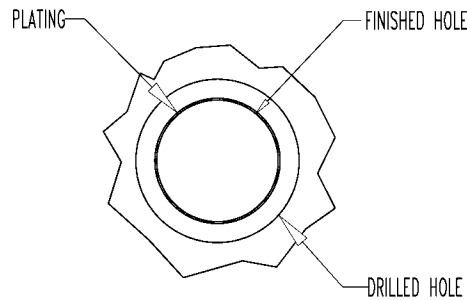
POSTROMIC INDUSTRIES BELIEVES THE DATA ON THIS DRAWING TO BE RELIABLE. SINCE THE TECHNICAL INFORMATION IS GIVEN FREE OF CHARGE, THE USER EMPLOYS SUCH INFORMATION AT HIS OWN DISCRETION AND RISK. POSTROMIC INDUSTRIES ASSUMES NO RESPONSIBILITY FOR RESULTS OBTAINED OR DAMAGES INCURRED FROM USE OF SUCH INFORMATION IN WHOLE OR IN PART.



16X SIZE 20
 OMEGA CONTACT HOLES
 SEE DETAIL A

HOLE PATTERN

12X SIZE 12
 BI-SPRING CONTACT HOLES
 SEE DETAIL A



PRESS FIT CONTACT HOLE SEE SK6370
 DETAIL A