

FEATURES AND SPECIFICATIONS

Features and Benefits

- Modularity
- Moveable screw clamp with captive screw
- Test facility
- Vertical (180°) and angled (90° + 35°) mounting type
- Available in blocks of 2, 3, and 4 positions which allow any configuration to be assembled with minimum inventory
- Standard color is green; black available, contact factory

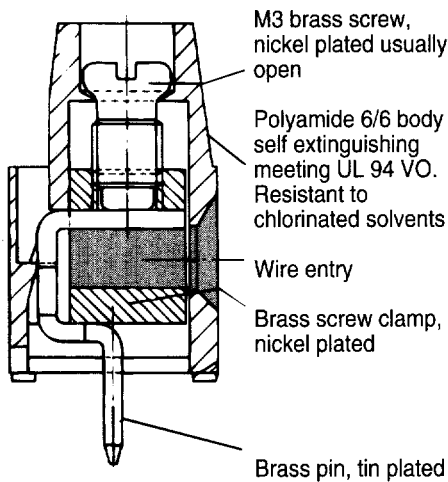
Electrical

Voltage: Pitch 5.0 (.197) to 5.08mm (.200")—250V
 Pitch 7.5mm (.295")—450V
 Pitch 10.0 (.394) to 10.16mm (.400")—750V
 Current: 17.5A
 Contact Resistance: 15mΩ max.
 Insulation Resistance: 10⁹Ω min. (500V DC)
 Wire Range: 32-14 AWG

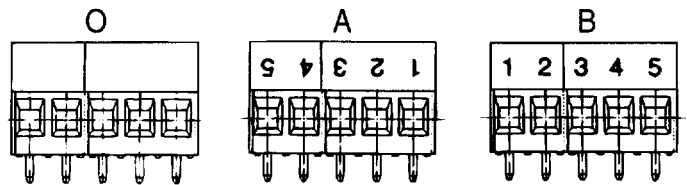
Physical

Mounting Hole: 1.4mm (.055") min.
 Color: Green
 Temperature: -40 to 110°C

molex[®] Molex ETC[™] MSM Series Modular Terminal Blocks

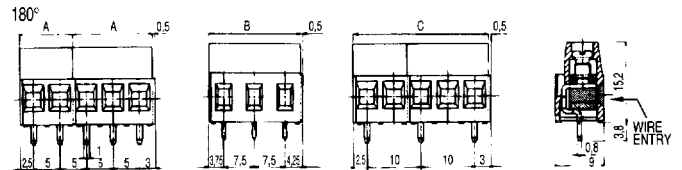


Marking Style

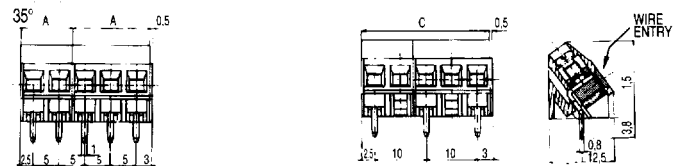


Dimensions

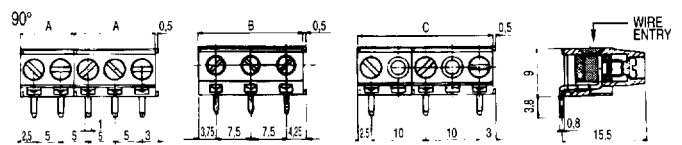
Vertical (0)



Angled (4)



Angled (9)



Pitch

- 1—5mm (.197"), 2—10mm (.394"), 3—7.5mm (.295"), 5—5.08mm (.200"), 6—10.16mm (.400")

To pick a part number—Complete the ordering code by choosing the number of Positions, the style of Marking (O, A, B), the Mounting Type (0, 4, 9), and the Pitch

ordering code

MSM					
-----	--	--	--	--	--

NUMBER of POSITIONS

MARKING STYLE

MOUNTING TYPE

PITCH

No. of Pos.	A 5mm	B 7.5mm	C 10mm	D 5.08mm	E 10.16mm
02	10	15	15	10.16	15.24
03	15	22.5	25	15.24	25.40
04	20	30	35	20.32	35.56
05	25	37.5	45	25.40	45.72
06	30	45	55	30.48	55.88
07	35	52.5	65	35.56	66.04
08	40	60	75	40.64	76.20
09	45	67.5	85	45.72	86.36

No. of Pos.	A 5mm	B 7.5mm	C 10mm	D 5.08mm	E 10.16mm
10	50	75	95	50.80	96.52
11	55	82.5	105	55.88	106.7
12	60	90	115	60.96	116.8
13	65	97.5	125	66.04	127.00
15	75	112.5	145		
20	100	150			
25	125				
30	150				