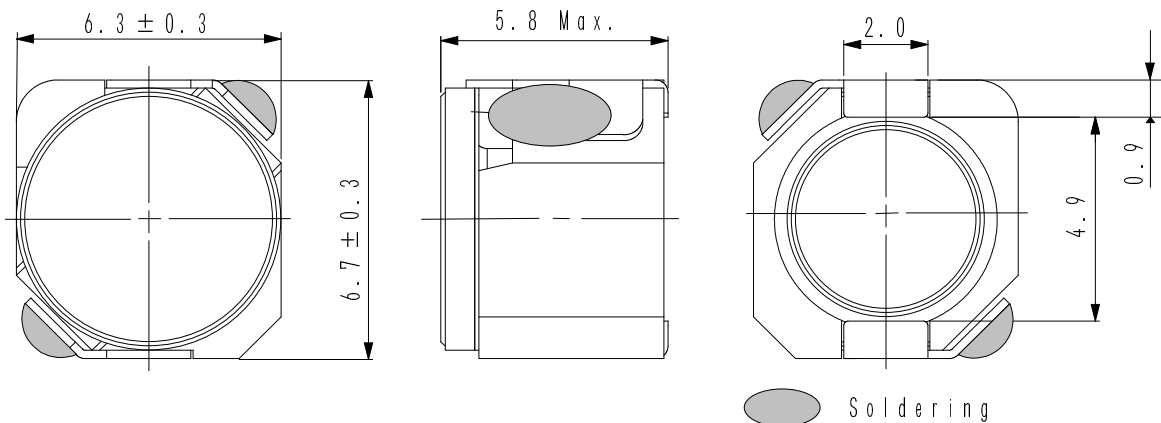
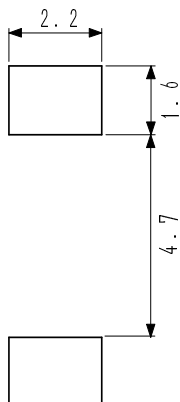


Type: CDRH65
◆ Product Description

- 7.0×6.6mm Max.(L×W). 5.8mm Max. Height.
- Inductance range: 1.2~22 μ H.
- Rated current range: 2.0~5.6A.
- In addition to the standards versions shown here, custom inductors are also available to meet your exact requirements.


◆ Feature

- Magnetically shielded construction.
- Storage temperature range: -40°C ~+105°C.
- Operating temperature range: -40°C ~+105°C (Including coil's self temperature rise).
- Ideally used in Notebook PC, Game machine, DVD, LCD TV ,STB etc as DC-DC converter inductors.
- RoHS compliance.

◆ Dimensions (mm)

◆ Land Pattern (mm)


Type: CDRH65
◆ Specification

Part Name ※	Stamp	Inductance (μH) 100kHz/1V	D.C.R.(m Ω) Max.(Typ.) (at 20°C)	Saturation Current (A) ※1		Temperature Rise Current (A) ※2
				at 20°C	at 100°C	
CDRH65NP-1R2N□	1R2	1.2±30%	15.5(12.5)	9.5	7.9	5.6
CDRH65NP-2R4N□	2R4	2.4±30%	20.5(16.5)	6.7	5.7	4.6
CDRH65NP-3R3N□	3R3	3.3±30%	22.0(17.5)	5.6	4.9	4.3
CDRH65NP-3R9N□	3R9	3.9±30%	25.0(20.0)	5.2	4.4	4.0
CDRH65NP-5R1N□	5R1	5.1±30%	27.0(22.0)	4.6	3.8	3.8
CDRH65NP-6R2N□	6R2	6.2±30%	30.5(24.5)	4.1	3.5	3.6
CDRH65NP-100M□	100	10±20%	51.0(41.0)	3.2	2.7	2.7
CDRH65NP-150M□	150	15±20%	63.5(51.0)	2.6	2.2	2.4
CDRH65NP-220M□	220	22±20%	81.5(65.0)	2.1	1.8	2.0

※ Description of part name

CDRH65NP-1R2N□

- B Box
- C Carrier Tape

※1. Saturation current: The DC current at which the inductance decreases to 65% of it's nominal value.

※2. Temperature rise current: The DC current at which the temperature rise is $\Delta t=40^{\circ}\text{C}$.($T_a=20^{\circ}\text{C}$).