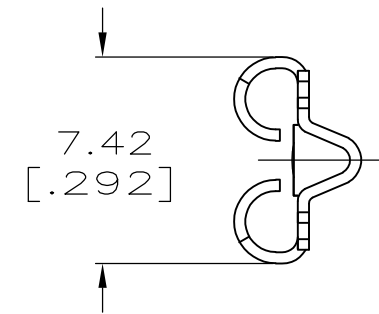
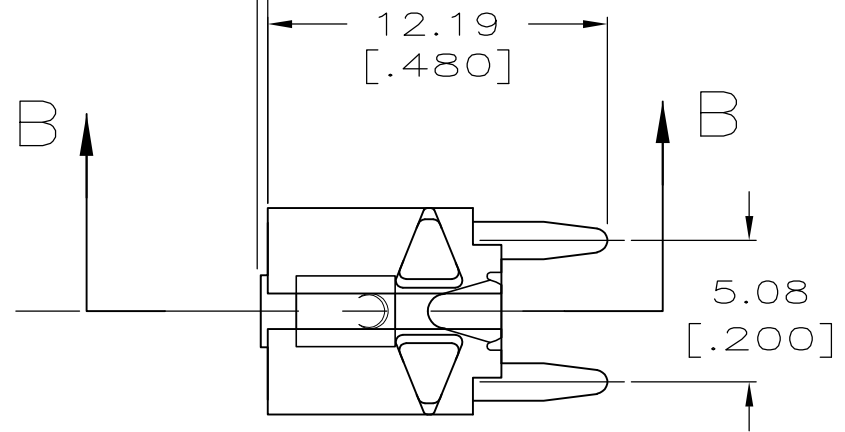
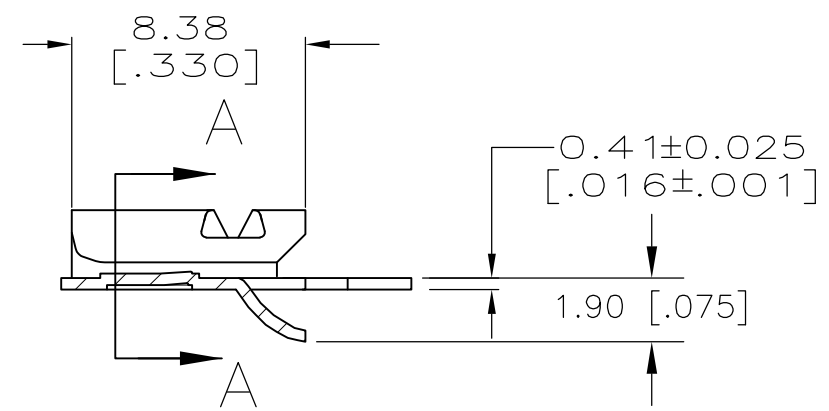


LOC	DIST	REVISIONS					
AF	50	P	LTR	DESCRIPTION	DATE	DWN	APVD
			B1	REVISED PER ECO-11-005027	12MAR11	RK	HMR

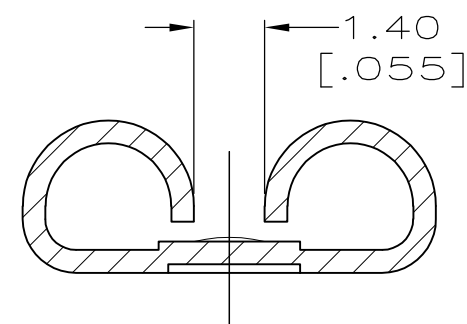
0.25 [.010]
MAX CUT-OFF



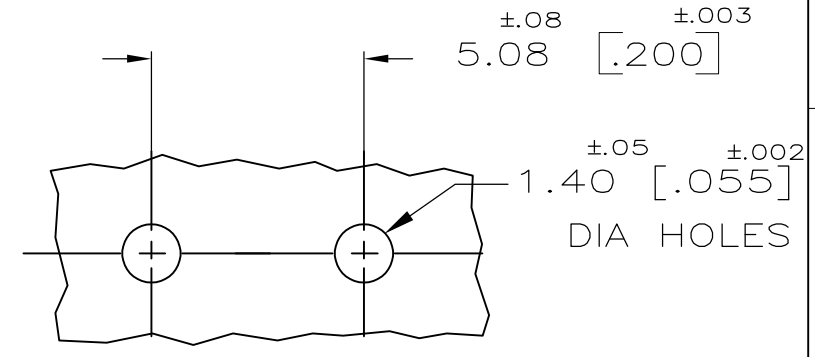
- 1 SUPPLIED IN LOOSE PIECE FORM.
- 2 0.00254 [.000100] MIN THK TIN OVER 0.00254 [.000100] MIN THK COPPER, OR OVER 0.00127 [.000050] MIN NICKEL.
- 3 MATING TAB THK IS 0.81±0.025 [.032±.001].



SECTION B-B



SECTION A-A
SCALE 8:1



RECOMMENDED
P.C.B. HOLES

1217080-1
PART NO.

THIS DRAWING IS A CONTROLLED DOCUMENT.		DWN	JR RUTH	3/30/98	TE Connectivity NAME RECEPTACLE, FASTON, 6.35/5.21 [.250/.205] SERIES, PC BOARD MOUNTED		
DIMENSIONS: mm[INCHES]		CHK	MS FEHER	3/30/98			
TOLERANCES UNLESS OTHERWISE SPECIFIED:		APVD	D BRATINA	3/30/98			
0 PLC ± - 1 PLC ± - 2 PLC ± 0.25 [.010] 3 PLC ± - 4 PLC ± - ANGLES ± -		PRODUCT SPEC					
MATERIAL	H04 BRASS	FINISH	-		APPLICATION SPEC		
		WEIGHT	-		SIZE	A3	
		CUSTOMER DRAWING		SCALE	4:1	CAGE CODE	00779
				DRAWING NO	C-1217080		RESTRICTED TO
				SHEET	1 OF 1		REV
						B1	