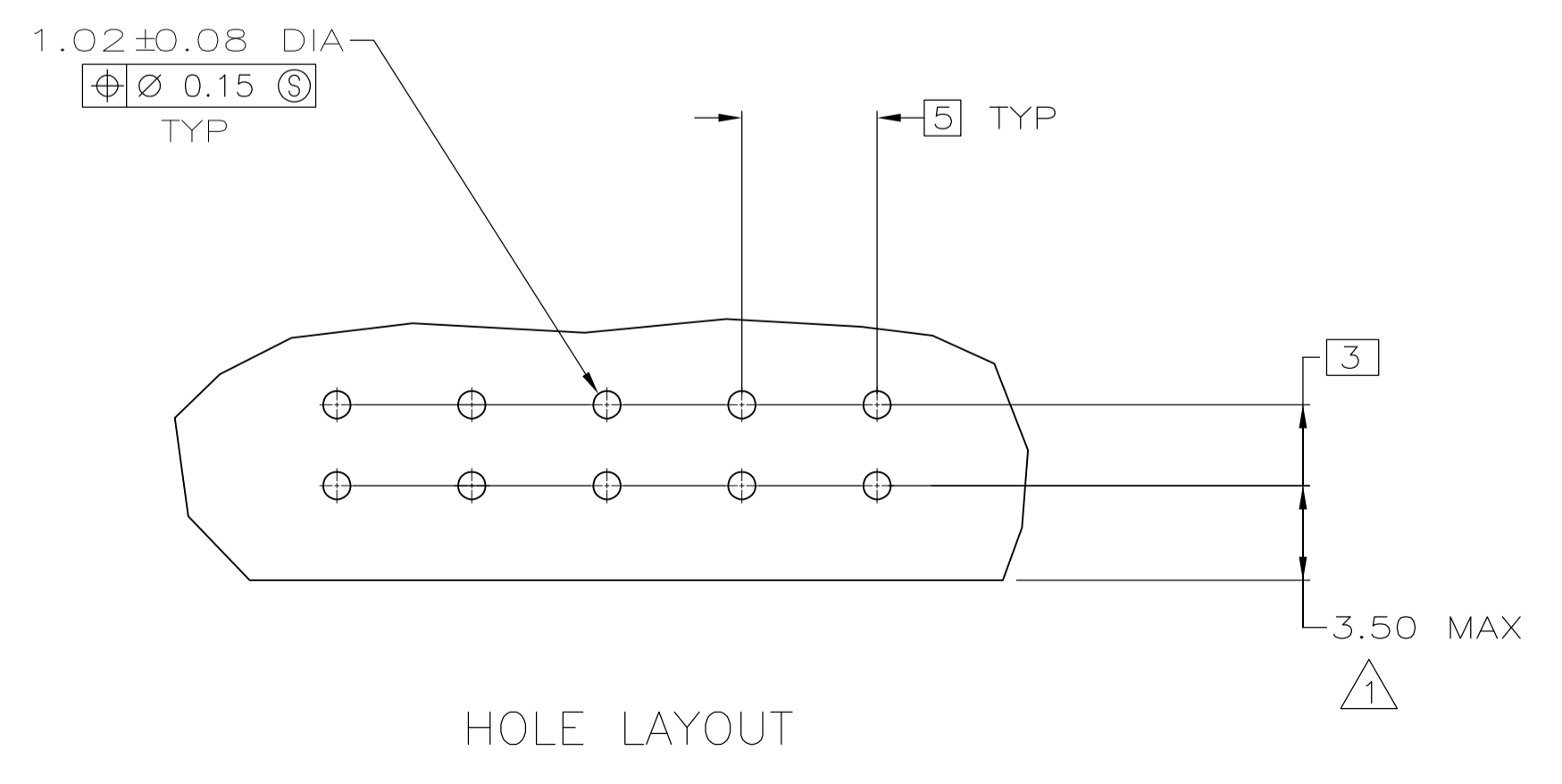
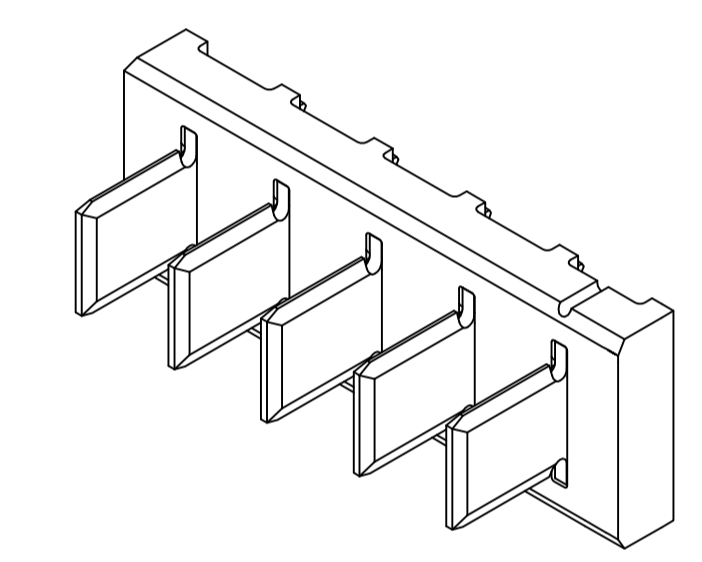
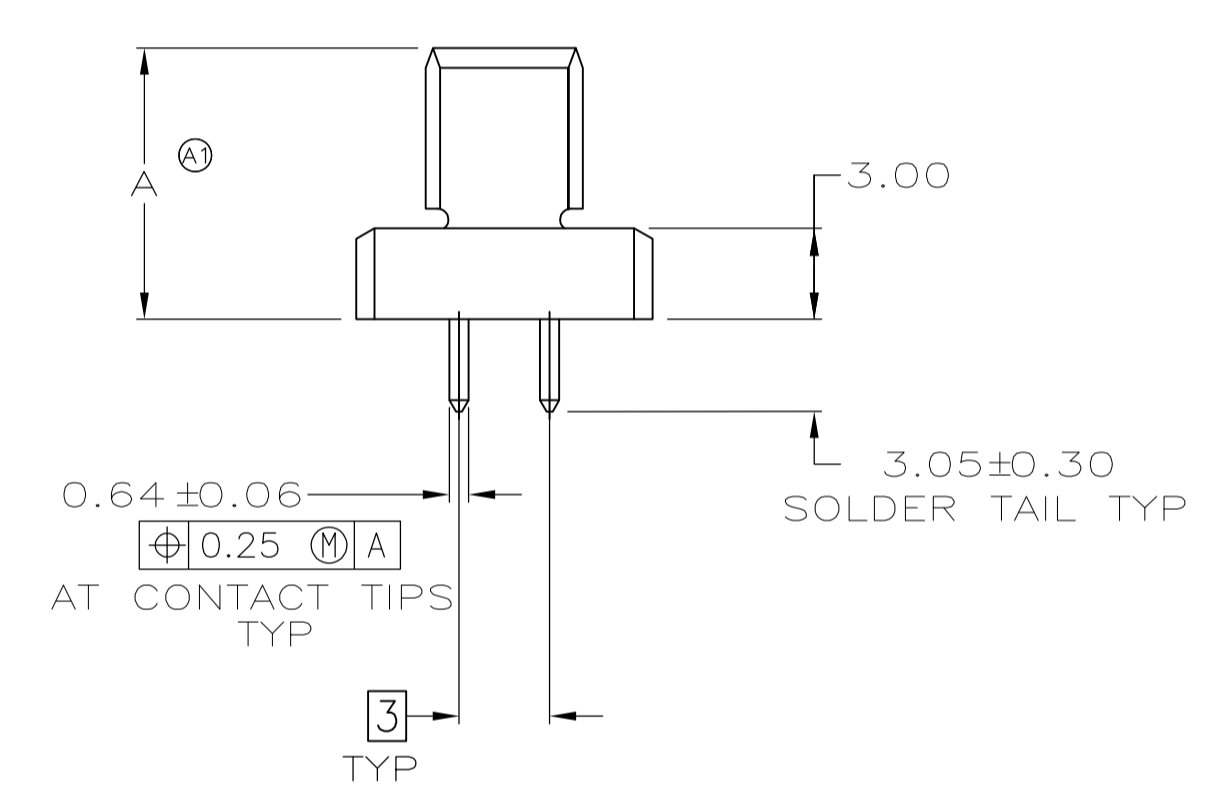
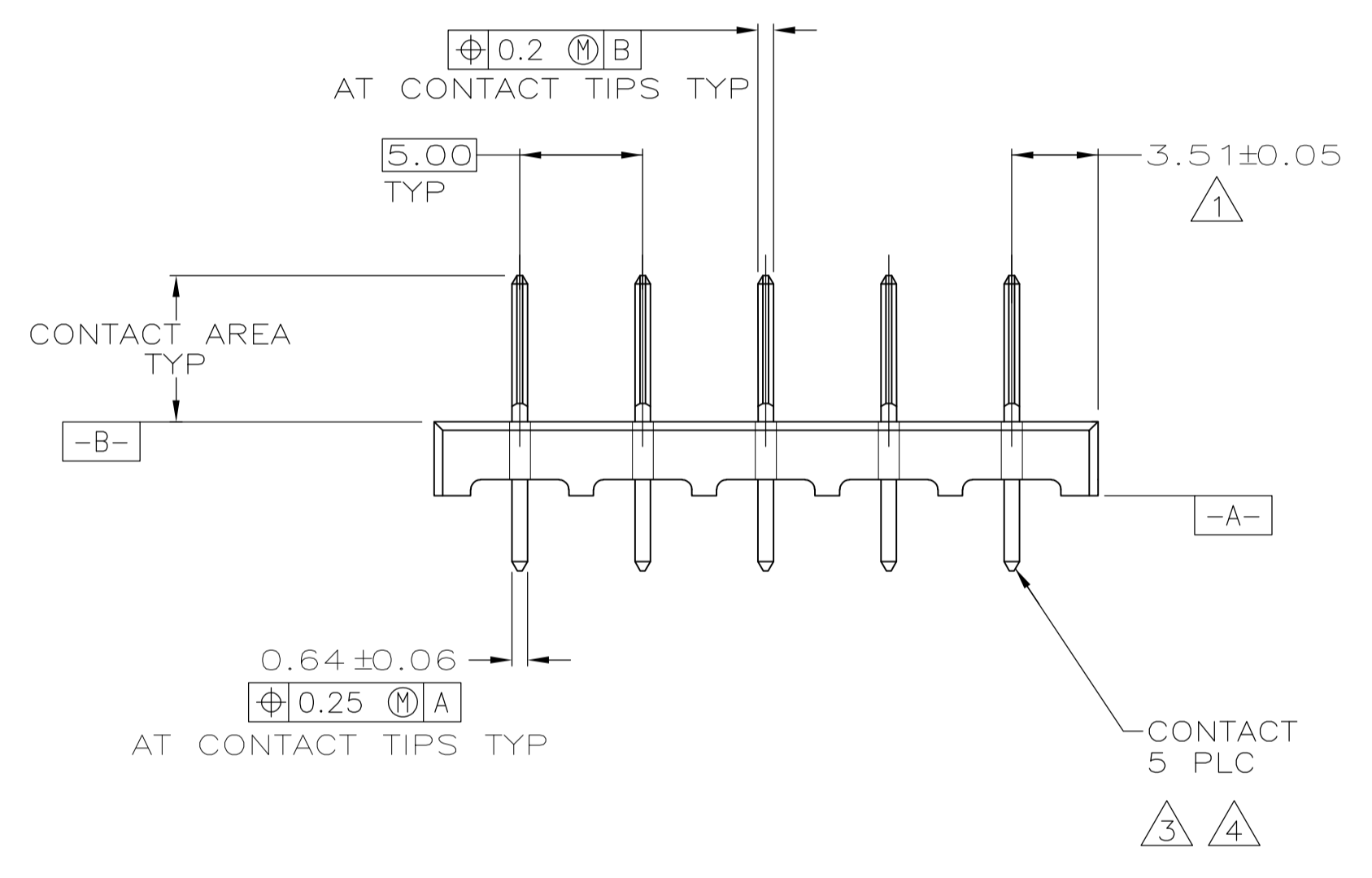


- △ COORDINATE DIMENSION APPLIES FROM CENTER OF ACTUAL FEATURE.
- △ HOUSING: POLYPHTHALAMIDE, COLOR BLACK.
- △ 2.54 μm MIN TIN ON SOLDER TAIL OVER 1.90 μm MIN NICKEL ALL OVER.
- △ CONTACTS: BRASS



9.95	STANDARD	5787444-2
8.95	STANDARD	5787444-1
DIM A	PACKAGING TYPE	PART NO

THIS DRAWING IS A CONTROLLED DOCUMENT.		DIN 19APROS		WENKE HE	
DIMENSIONS: mm		TOLERANCES UNLESS OTHERWISE SPECIFIED:		CHK 19APROS	
0 PLC ± -		1 PLC ± -		APVD STEVEN YAO	
1 PLC ± -		2 PLC ± 0.13		NAME IENOMOTO	
2 PLC ± -		3 PLC ± -		PRODUCT SPEC	
3 PLC ± -		4 PLC ± -		APPLICATION SPEC	
4 PLC ± -		ANGLES ± -		SIZE CAGE CODE DRAWING NO	
MATERIAL SEE CALLOUTS		FINISH SEE CALLOUTS		WEIGHT	
				A1 00779 C=5787444	
		CUSTOMER DRAWING		SCALE 4:1 SHEET 1 OF 1 REV A2	



HEADER ASSEMBLY, VERTICAL, KEYLESS, 5mm E, 5 POSN, STRAIGHT SOLDER TAILS, BATTERY INTERCONNECT