

MICRO SWITCH
 FREEPORT, ILLINOIS, U.S.A.
 A DIVISION OF HONEYWELL
 FED. MFG. CODE 91929

SWITCH - TOGGLE

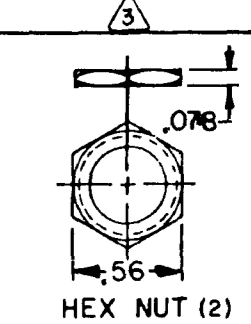
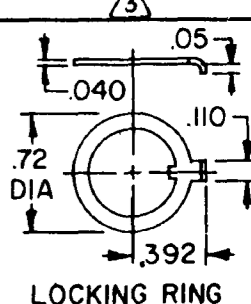
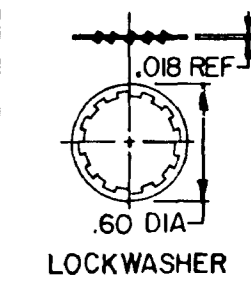
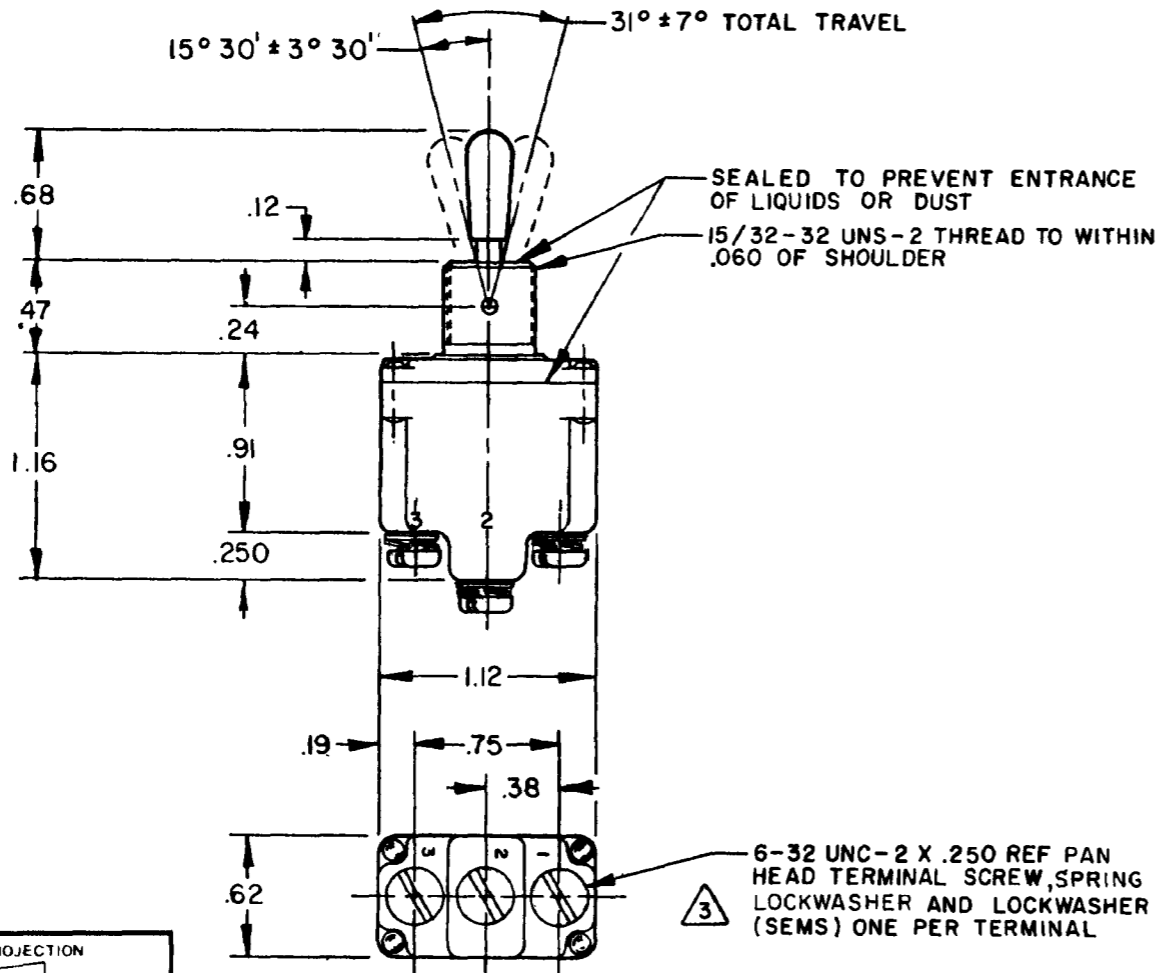
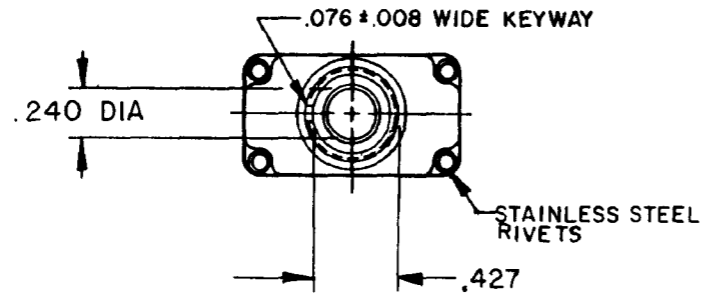
CATALOG LISTING
1TL176 SERIES
CHART 1

CATALOG LISTING

KEYWAY SIDE (1-2)	CIRCUIT MADE WITH TOGGLE LEVER IN	
	CENTER (1-2)	OPPOSITE KEYWAY (2-3)

MILITARY RATING (AMPS)							
RESISTIVE LOAD				LAMP LOAD		INDUCTIVE LOAD	
DC VOLTS	AC VOLTS		28 VDC	125 VAC	28 VDC	125 VAC	
28	125	250	125	250	28	125	

THIS DRAWING COVERS A PROPRIETARY ITEM AND IS THE PROPERTY OF MICRO SWITCH. A DIVISION OF HONEYWELL. THIS DRAWING IS NOT TO BE COPIED OR USED WITHOUT THE APPROVAL OF MICRO SWITCH.



CATALOG LISTING	KEYWAY SIDE (1-2)	CENTER (1-2)	OPPOSITE KEYWAY (2-3)
1TL176 - 1	ON	OFF	ON
1TL176 - 2	OFF	NONE	ON
1TL176 - 3	ON	NONE	ON
1TL176 - 21	NONE	OFF	ON
1TL176 - 31	NONE	ON	ON
1TL176 - 4	MOM OFF	NONE	ON
1TL176 - 5	MOM ON	OFF	ON
1TL176 - 6	MOM ON	NONE	OFF
1TL176 - 7	MOM ON	OFF	MOM ON
1TL176 - 8	MOM ON	NONE	ON
1TL176 - 51	NONE	ON	MOM ON
1TL176 - 61	MOM ON	OFF	NONE

20	.75	.5	15	6	5	3	15	10
(REFER TO L191 FOR UL RATING)								
15	.75	.5	15	6	4	2	10	7
(REFER TO L192 FOR UL RATING)								

- NOTES
- SWITCHES ARE CAPABLE OF WITHSTANDING A TEMPERATURE OF 160°F CONTINUOUSLY AT FULL RATED LOAD
 - POLE, CIRCUIT DESIGNATION AND MICRO SWITCH CATALOG LISTING MARKED ON SIDE OF SWITCH
 - FURNISHED UNASSEMBLED
 - FOR TERMINAL COVER SEE MICRO SWITCH CATALOG LISTING 5PA7
 - APPLIES ONLY TO "ON" AND "MOMENTARY ON" POSITIONS

CATALOG LISTING
1TL176 SERIES CHART 1
 PAGE 1 OF 1
 ISSUE **M**
 9
 REVISIONS
 A CO77942
 JAF 28 JUN 94
 B 11583
 LJK 6 NOV 95
 CO-94430
 JJA 10 NOV 99
 FORMTEK
 DRAWN
 JAF 28 JUN 94
 CHECK
 JAF 28 JUN 94
 CHECK
 RELEASE NO PR-4752
 REPLACES

THIRD ANGLE PROJECTION

SCALE FULL

DO NOT SCALE PRINT

TOLERANCES
 APPLY TO DESIGN UNITS CONVERSIONS ARE ONLY FOR REFERENCE UNLESS NOTED TOLERANCES ARE 2

DIM	TOL	DIM	TOL
mm	mm/in	in	mm/in
NO PLACES	X	1/04	
ONE PLACE	X X	0.4/018	X X
TWO PLACES	X XX	0.13/008	X XX
THREE PLACES	X XXX	0.25/015	X XXX
ANGLES		0.13/005	

DESIGN UNITS SI METRIC US CUSTOMARY

RAW MATERIAL - COMMERCIAL STANDARD
 MICRO SWITCH STANDARDS APPLY
 DIMENSIONS ARE TO BE MET BEFORE
 PROTECTIVE COATINGS ARE APPLIED

WEIGHT 07 LBS APPROX

L191	15A 125, 250, 277 VAC 1/2HP 125 VAC 1HP 250, 277 VAC 5A 125 VAC "L"	CE RU
L192	10A 125, 250, 277 VAC 1/4HP 125 VAC, 1/2HP 250, 277 VAC 3A 125 VAC "L"	CE RU