

Multiple Channel Capacitive Touch Sensor and LED Driver

PRODUCT FEATURES

Datasheet

General Description

The CAP1014 is a multiple channel Capacitive Touch sensor and LED Driver.

The CAP1014 contains up to fourteen (14) individual Capacitive Touch sensor inputs with programmable sensitivity for use in touch button and slider switch applications. Each sensor also contains automatic recalibration with programmable time delays.

The CAP1014 also contains eleven (11) low side LED drivers that offer full-on / off, variable rate blinking, dimmness controls, and breathing. Capacitive buttons can be linked to LED outputs

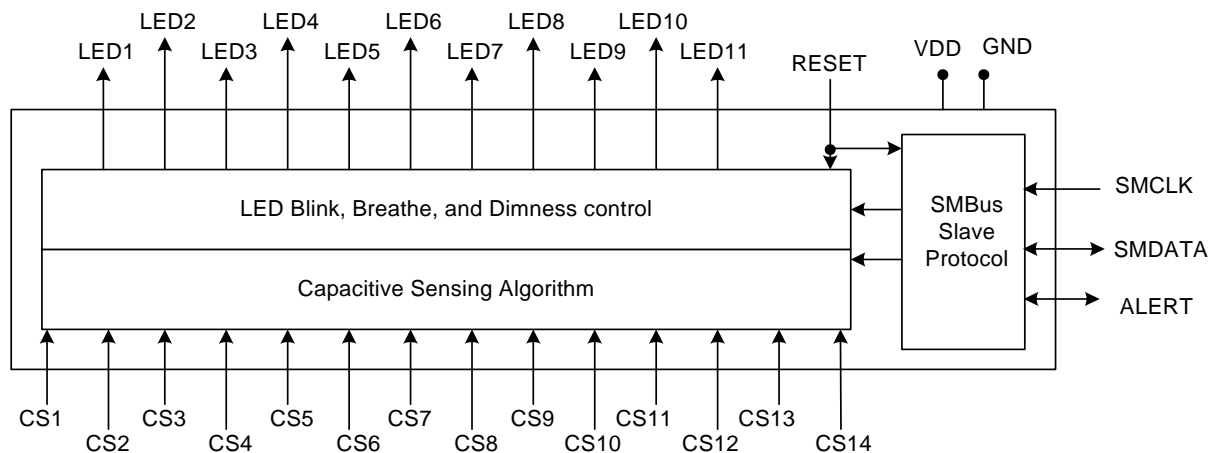
Applications

- Consumer Electronics
- Desktop and Notebook PC's
- LCD Monitors

Features

- Fourteen (14) Capacitive Touch Sensor inputs
 - Programmable sensitivity
 - High SNR allows for easy tuning
 - Automatic recalibration
 - Slider Acceleration Detection
 - Slider positional detection
- Low Power operation
 - 100uA quiescent current in Deep Sleep
 - 250uA quiescent current in Sleep mode while monitoring 1 or more buttons.
- Alert to signal touch to host processor
- User controlled reset
- Low External Component Count
- SMBus 2.0 compliant interface to change operating parameters to work in a wide variety of systems
 - Block Read and Write function for quick tasking
- Eleven (11) LED Driver outputs
 - Programmable blink, breathe, and dimmness controls
 - 8 Configurable as GPIOs
 - Buttons can be linked to LED responses
- Development boards and software available
- Available in 32-pin 5mm x 5mm QFN Lead-free RoHS Compliant package

Block Diagram



ORDER NUMBER(S):**CAP1014-1-EZK 32-PIN QFN LEAD-FREE ROHS COMPLIANT PACKAGE****CAP1014-1-EZK-TR 32-PIN QFN LEAD-FREE ROHS COMPLIANT PACKAGE (TAPE & REEL)****REEL SIZE IS 4,000 PIECES**

80 ARKAY DRIVE, HAUPPAUGE, NY 11788 (631) 435-6000, FAX (631) 273-3123

Copyright © 2009 SMSC or its subsidiaries. All rights reserved.

Circuit diagrams and other information relating to SMSC products are included as a means of illustrating typical applications. Consequently, complete information sufficient for construction purposes is not necessarily given. Although the information has been checked and is believed to be accurate, no responsibility is assumed for inaccuracies. SMSC reserves the right to make changes to specifications and product descriptions at any time without notice. Contact your local SMSC sales office to obtain the latest specifications before placing your product order. The provision of this information does not convey to the purchaser of the described semiconductor devices any licenses under any patent rights or other intellectual property rights of SMSC or others. All sales are expressly conditional on your agreement to the terms and conditions of the most recently dated version of SMSC's standard Terms of Sale Agreement dated before the date of your order (the "Terms of Sale Agreement"). The product may contain design defects or errors known as anomalies which may cause the product's functions to deviate from published specifications. Anomaly sheets are available upon request. SMSC products are not designed, intended, authorized or warranted for use in any life support or other application where product failure could cause or contribute to personal injury or severe property damage. Any and all such uses without prior written approval of an Officer of SMSC and further testing and/or modification will be fully at the risk of the customer. Copies of this document or other SMSC literature, as well as the Terms of Sale Agreement, may be obtained by visiting SMSC's website at <http://www.sm-sc.com>. SMSC is a registered trademark of Standard Microsystems Corporation ("SMSC"). Product names and company names are the trademarks of their respective holders.

SMSC DISCLAIMS AND EXCLUDES ANY AND ALL WARRANTIES, INCLUDING WITHOUT LIMITATION ANY AND ALL IMPLIED WARRANTIES OF MERCHANTABILITY, FITNESS FOR A PARTICULAR PURPOSE, TITLE, AND AGAINST INFRINGEMENT AND THE LIKE, AND ANY AND ALL WARRANTIES ARISING FROM ANY COURSE OF DEALING OR USAGE OF TRADE. IN NO EVENT SHALL SMSC BE LIABLE FOR ANY DIRECT, INCIDENTAL, INDIRECT, SPECIAL, PUNITIVE, OR CONSEQUENTIAL DAMAGES; OR FOR LOST DATA, PROFITS, SAVINGS OR REVENUES OF ANY KIND; REGARDLESS OF THE FORM OF ACTION, WHETHER BASED ON CONTRACT; TORT; NEGLIGENCE OF SMSC OR OTHERS; STRICT LIABILITY; BREACH OF WARRANTY; OR OTHERWISE; WHETHER OR NOT ANY REMEDY OF BUYER IS HELD TO HAVE FAILED OF ITS ESSENTIAL PURPOSE, AND WHETHER OR NOT SMSC HAS BEEN ADVISED OF THE POSSIBILITY OF SUCH DAMAGES.

Table of Contents

Chapter 1	Pin Description	9
Chapter 2	Electrical Specifications	12
Chapter 3	Communications	15
3.1	System Management Bus Protocol	15
3.1.1	SMBus Start Bit	15
3.1.2	SMBus Address and RD / WR Bit	15
3.1.3	SMBus Data Bytes	15
3.1.4	SMBus ACK and NACK Bits	15
3.1.5	SMBus Stop Bit	16
3.1.6	SMBus Time-out	16
3.1.7	SMBus and I ² C Compliance	16
3.2	SMBus Protocols	16
3.2.1	SMBus Write Byte	17
3.2.2	Block Write	17
3.2.3	SMBus Read Byte	17
3.2.4	Block Read	17
3.2.5	SMBus Send Byte	18
3.2.6	SMBus Receive Byte	18
Chapter 4	Product Description	19
4.1	Power States	21
4.2	RESET Pin	22
4.3	LED Drivers	22
4.3.1	Linking LEDs to Capacitive Touch Sensors	22
4.4	Capacitive Touch Sensing	22
4.4.1	Multiple Button Presses	22
4.4.2	Grouped Sensors	22
4.4.3	Sensing Cycle	23
4.4.4	Recalibrating Sensors	23
4.5	Grouped Sensor Behavior	23
4.5.1	Tap	23
4.5.2	Press and Hold	23
4.5.3	Slider	23
4.5.4	Relative Position	24
4.5.5	Slider Velocity	24
4.6	ALERT Pin	24
4.6.1	Button Interrupt Behavior	24
4.6.2	Grouped Sensor Interrupt Behavior	24
4.6.3	Wake from Deep Sleep	25
Chapter 5	Register Description	29
5.1	Main Status Control Register	33
5.2	Button Status Registers	34
5.2.1	Button Status 1	35
5.2.2	Button Status 2	35
5.3	Build Revision Register	36
5.4	Slider Position / Volumetric Data Register	36
5.4.1	Absolute Position	36
5.4.2	Volumetric Data	37

5.5	Vendor ID Register	37
5.6	Volumetric Step Register	37
5.7	Noise Flag Status Registers	38
5.8	GPIO Status Register	38
5.9	Group Status Register	38
5.10	Sensor Delta Count Registers	39
5.11	Queue Control Register	40
5.12	Data Sensitivity Register.	41
5.13	Configuration Register	42
5.14	Sensor Enable Registers	43
5.15	Button Configuration Register.	44
5.16	Group Configuration Register 1	46
5.17	Group Configuration Register 2	46
5.18	Calibration Enable Registers	47
5.19	Calibration Activate Registers.	47
5.20	Interrupt Enable Registers	48
	5.20.1 Interrupt Enable 1	48
	5.20.2 Interrupt Enable 2	49
5.21	Sleep Channel Control Register	49
5.22	Multiple Touch Configuration Register	50
5.23	Recalibration Configuration Register	51
5.24	Sensor Threshold Registers	53
5.25	Button Noise Threshold Registers	53
	5.25.1 Button Noise Threshold 1 Register	54
	5.25.2 Button Noise Threshold 2 Register	54
5.26	Slider Velocity Configuration Register	54
5.27	Sensor Base Count Registers	56
5.28	LED / GPIO Direction Registers	57
5.29	LED / GPIO Output Type Registers	58
5.30	GPIO Input Register	58
5.31	LED Output Control Registers	58
	5.31.1 LED Output Control 1	59
	5.31.2 LED Output Control 2	59
5.32	LED Polarity Registers	60
	5.32.1 LED Polarity 1	60
	5.32.2 LED Polarity 2	60
5.33	Sensor LED Linking Registers	61
5.34	LED Behavior Registers	62
	5.34.1 LED Behavior 1 - 81h	62
	5.34.2 LED Behavior 2 - 82h	62
	5.34.3 LED Behavior 3 - 83h	62
5.35	LED Pulse 1 Period Register	63
5.36	LED Pulse 2 Period Register	65
5.37	LED Breathe Period Register	65
5.38	LED Pulse Configuration Register	66
5.39	LED Pulse and Breathe Duty Cycle Registers	66
5.40	LED Direct Ramp Rates Register	68
5.41	LED Off Delay Register	68
5.42	Product ID Register	69
5.43	Revision Register	70
<hr/>		
Chapter 6	Package Information	71
6.1	Package Drawing	71
6.2	Package Marking	71

Chapter 7 Revision History..... 73

List of Figures

Figure 1.1	CAP1014 Pin Diagram (32 Pin QFN)	9
Figure 3.1	SMBus Timing Diagram	15
Figure 4.1	System Diagram for CAP1014	20
Figure 4.2	Button Interrupt Behavior - Repeat Rate Enabled (default)	25
Figure 4.3	Button Interrupt Behavior - No Repeat Rate Enabled	25
Figure 4.4	Tap Interrupt Behavior	26
Figure 4.5	Press and Hold Interrupt Behavior	26
Figure 4.6	Slide Interrupt Behavior - No Acceleration	27
Figure 4.7	Slide Interrupt Behavior - Acceleration Example	28
Figure 5.1	Pulse 1 Behavior	64
Figure 5.2	Pulse 2 Behavior	65
Figure 5.3	Direct Mode Behavior	69
Figure 6.1	Package Diagram - 32 Pin QFN	71
Figure 6.2	Package Markings	72

List of Tables

Table 1.1	Pin Description for CAP1014	9
Table 1.2	Pin Types	11
Table 2.1	Absolute Maximum Ratings	12
Table 2.2	Electrical Specifications	12
Table 3.1	Protocol Format	16
Table 3.2	Write Byte Protocol	17
Table 3.3	Block Write Protocol	17
Table 3.4	Read Byte Protocol	17
Table 3.5	Block Read Protocol	18
Table 3.6	Send Byte Protocol	18
Table 3.7	Receive Byte Protocol	18
Table 4.1	Power Modes	21
Table 5.1	Register Set in Hexadecimal Order	29
Table 5.2	Main Status Control Register	33
Table 5.3	Button Status Registers	34
Table 5.4	Firmware Revision Register	36
Table 5.5	Slider Position / Volumetric Data Register	36
Table 5.6	Example Slider Absolute Position Decode	36
Table 5.7	Vendor ID Register	37
Table 5.8	Volumetric Step Register	37
Table 5.9	Noise Flag Status Registers	38
Table 5.10	GPIO Status Register	38
Table 5.11	GPIO Status Register	38
Table 5.12	Sensor Delta Count Registers	39
Table 5.13	Queue Control Register	40
Table 5.14	QUEUE_B Bit Decode	40
Table 5.15	Data Scaling Register	41
Table 5.16	D_DSP Bit Decode	41
Table 5.17	C_DSP Bit Decode	42
Table 5.18	Configuration Register	42
Table 5.19	Sensor Enable Registers	43
Table 5.20	Button Configuration Register	44
Table 5.21	MAX_DUR_B and MAX_DUR_G Bit Decode	45
Table 5.22	RPT_RATE_B / SL / PH and M_PRESS Bit Decode	45
Table 5.23	Group Configuration Register 1	46
Table 5.24	Group Configuration Register 2	46
Table 5.25	Calibration Enable Registers	47
Table 5.26	Calibration Activate Registers	47
Table 5.27	Interrupt Enable Registers	48
Table 5.28	Sleep Channel Control	49
Table 5.29	Multiple Touch Configuration	50
Table 5.30	B_MULT_T Bit Decode	51
Table 5.31	G_MULT_T Bit Decode	51
Table 5.32	Recalibration Configuration Registers	51
Table 5.33	ACAL_RT[1:0] Bit Decode	52
Table 5.34	CAL_CFG Bit Decode	52
Table 5.35	Sensor Threshold Registers	53
Table 5.36	Button Noise Threshold Registers	53
Table 5.37	CSx_BN_TH Bit Decode	54
Table 5.38	Slider Velocity Configuration Register	54
Table 5.39	MAX_INT Bit decode	55
Table 5.40	SLIDE_TIME Bit Decode	55
Table 5.41	RPT_SCALE Bit Decode	56

Table 5.42 Sensor Base Count Registers	56
Table 5.43 LED / GPIO Direction Registers	57
Table 5.44 LED / GPIO Output Type Registers	58
Table 5.45 GPIO Input Register	58
Table 5.46 LED Output Control Registers	58
Table 5.47 LED Polarity Registers	60
Table 5.48 Sensor LED Linking Registers	61
Table 5.49 LED Behavior Registers	62
Table 5.50 LEDx_CTL Bit Decode	63
Table 5.51 LED Behavior Registers	63
Table 5.52 LED Pulse / Breathe Period Example	64
Table 5.53 LED Behavior Registers	65
Table 5.54 LED Behavior Registers	65
Table 5.55 LED Configuration Registers	66
Table 5.56 PULSE_CNT Decode	66
Table 5.57 LED Period and Duty Cycle Registers	66
Table 5.58 LED Duty Cycle Decode	67
Table 5.59 LED Direct Ramp Rates Register	68
Table 5.60 Rise / Fall Rate Cycle Decode	68
Table 5.61 LED Off Delay Register	68
Table 5.62 Off Delay Settings	69
Table 5.63 Product ID Register	69
Table 5.64 Revision Register	70
Table 7.1 Customer Revision History	73

Chapter 1 Pin Description

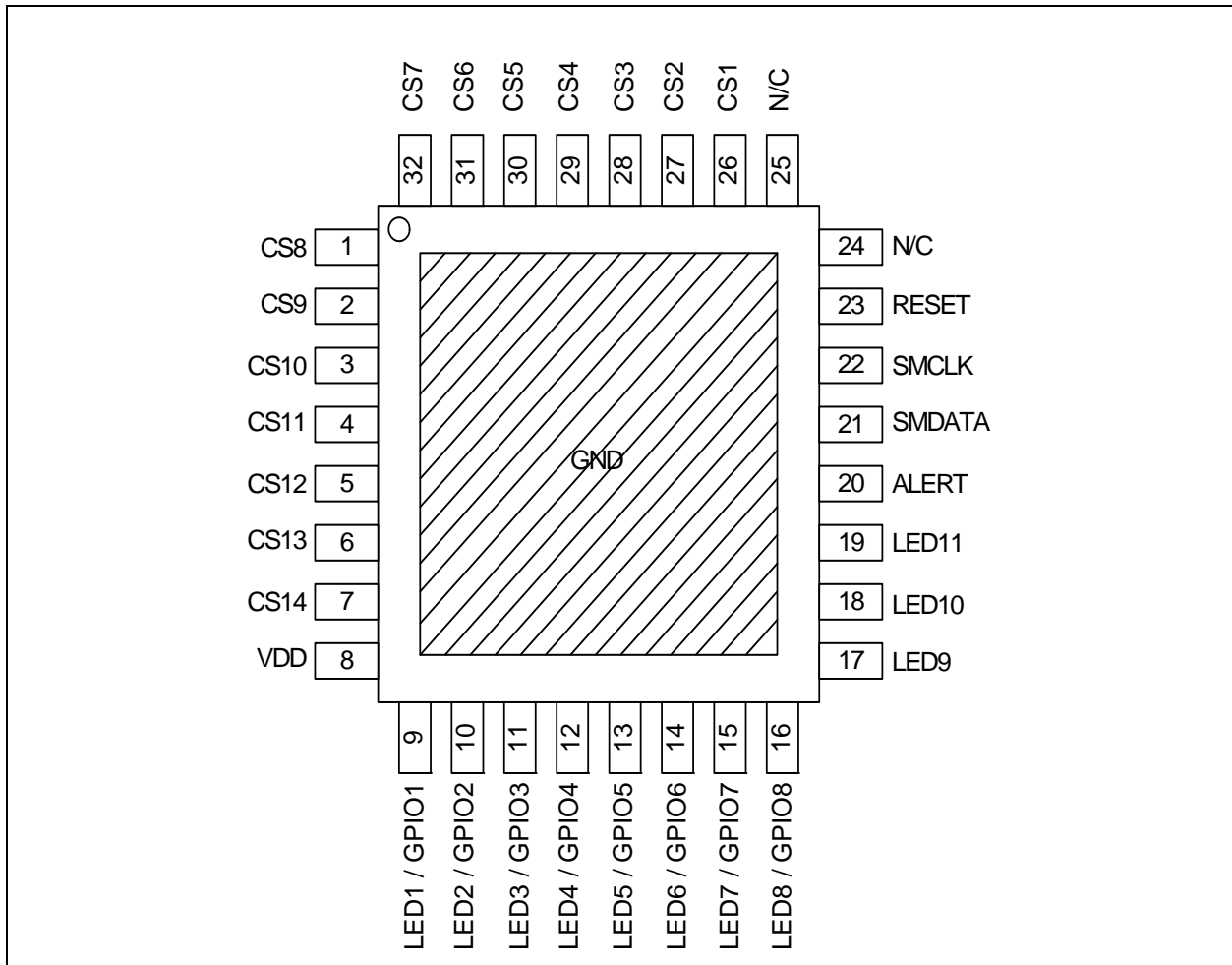


Figure 1.1 CAP1014 Pin Diagram (32 Pin QFN)

Table 1.1 Pin Description for CAP1014

PIN NUMBER	PIN NAME	PIN FUNCTION	PIN TYPE
1	CS8	Capacitive Touch Sensor 8	AIO
2	CS9	Capacitive Touch Sensor 9	AIO
3	CS10	Capacitive Touch Sensor 10	AIO
4	CS11	Capacitive Touch Sensor 11	AIO
5	CS12	Capacitive Touch Sensor 12	AIO
6	CS13	Capacitive Touch Sensor 13	AIO
7	CS14	Capacitive Touch Sensor 14	AIO

Table 1.1 Pin Description for CAP1014 (continued)

PIN NUMBER	PIN NAME	PIN FUNCTION	PIN TYPE
8	VDD	Positive Power supply	Power
9	LED1 / GPIO1	LED1 - Open drain LED driver (default)	OD (5V)
		GPI1 - GPIO 1 Input	DI (5V)
		GPO1 - GPIO 1 push-pull output	DO
10	LED2 / GPIO 2	LED2 - Open drain LED driver (default)	OD (5V)
		GPI2 - GPIO 2 Input	DI (5V)
		GPO2 - GPIO 2 push-pull output	DO
11	LED3 / GPIO3	LED3 - Open drain LED driver (default)	OD (5V)
		GPI3 - GPIO 3 Input	DI (5V)
		GPO3 - GPIO 3 push-pull output	DO
12	LED4 / GPIO4	LED4 - Open drain LED driver (default)	OD (5V)
		GPI4 - GPIO 4 Input	DI (5V)
		GPO4 - GPIO 4 push-pull output	DO
13	LED5 / GPIO5	LED5 - Open drain LED driver (default)	OD (5V)
		GPI5 - GPIO 5 Input	DI (5V)
		GPO5 - GPIO 5 push-pull output	DO
14	LED6 / GPIO6	LED6 - Open drain LED driver (default)	OD (5V)
		GPI6 - GPIO 6 Input	DI (5V)
		GPO6 - GPIO 6 push-pull output	DO
15	LED7 / GPIO7	LED7 - Open drain LED driver (default)	OD (5V)
		GPI7 - GPIO 7 Input	DI (5V)
		GPO7 - GPIO 7 push-pull output	DO
16	LED8 / GPIO8	LED8 - Open drain LED driver (default)	OD (5V)
		GPI8 - GPIO 8 Input	DI (5V)
		GPO8 - GPIO 8 push-pull output	DO
17	LED9	LED9 - Open drain LED driver	OD (5V)
18	LED10	LED10 - Open drain LED driver	OD (5V)
19	LED11	LED11 - Open drain LED driver	OD (5V)
20	ALERT	Active High Interrupt / Wake Up Input	DIO
21	SMDATA	Bi-directional SMBus data	DIOD (5V)
22	SMCLK	SMBus clock input	DI (5V)
23	RESET	Soft reset for system - resets all registers to default values	DI (5V)

Table 1.1 Pin Description for CAP1014 (continued)

PIN NUMBER	PIN NAME	PIN FUNCTION	PIN TYPE
24	N/C	Not Connected - connect to gnd	N/A
25	N/C	Not Connected - connect to gnd	N/A
26	CS1	Capacitive Touch Sensor 1	AIO
27	CS2	Capacitive Touch Sensor 2	AIO
28	CS3	Capacitive Touch Sensor 3	AIO
29	CS4	Capacitive Touch Sensor 4	AIO
30	CS5	Capacitive Touch Sensor 5	AIO
31	CS6	Capacitive Touch Sensor 6	AIO
32	CS7	Capacitive Touch Sensor 7	AIO
Bottom Plate	GND	Power Ground	Power

The pin types are described in detail below. All pins labelled with (5V) are 5V tolerant.

Table 1.2 Pin Types

PIN TYPE	DESCRIPTION
Power	This pin is used to supply power or ground to the device.
DI	Digital Input - this pin is used as a digital input. This pin is 5V tolerant.
DIO	Digital Input Output - this pin is used as a digital input / output.
AIO	Analog Input / Output - this pin is used as an I/O for analog signals.
DIOD	Digital Input / Open Drain Output this pin is used as an digital I/O. When it is used as an output, It is open drain and requires a pull-up resistor. This pin is 5V tolerant.
OD	Open Drain Digital Output - this pin is used as a digital output. It is open drain and requires a pull-up resistor. This pin is 5V tolerant.
DO	Push-pull Digital Output - This pin is used as a digital output and can sink and source current

Chapter 2 Electrical Specifications

Table 2.1 Absolute Maximum Ratings

Voltage on 5V tolerant pins	-0.3 to 5.5	V
Voltage on VDD pin	-0.3 to 4	V
Voltage on any other pin to GND	-0.3 to VDD + 0.3	V
Package Power Dissipation up to $T_A = 85^\circ\text{C}$ (see Note 2.1)	1	W
Junction to Ambient (θ_{JA}) (see Note 2.2)	40	$^\circ\text{C}/\text{W}$
Operating Ambient Temperature Range	-40 to 125	$^\circ\text{C}$
Storage Temperature Range	-55 to 150	$^\circ\text{C}$
ESD Rating, All Pins, HBM	8000	V

Note: Stresses above those listed could cause permanent damage to the device. This is a stress rating only and functional operation of the device at any other condition above those indicated in the operation sections of this specification is not implied.

Note 2.1 The Package Power Dissipation specification assumes a recommended thermal via design consisting of four 12mil vias connected to the ground plane with a 3.3 x 3.3mm thermal landing.

Note 2.2 Junction to Ambient (θ_{JA}) is dependent on the design of the thermal vias. Without thermal vias and a thermal landing, the θ_{JA} is approximately $52^\circ\text{C}/\text{W}$ including localized PCB temperature increase.

Table 2.2 Electrical Specifications

$V_{DD} = 3\text{V to } 3.6\text{V}$, $T_A = 0^\circ\text{C to } 100^\circ\text{C}$, all Typical values at $T_A = 27^\circ\text{C}$ unless otherwise noted.						
CHARACTERISTIC	SYMBOL	MIN	TYP	MAX	UNIT	CONDITIONS
DC Power						
Supply Voltage	V_{DD}	3.0	3.3	3.6	V	
Supply Current	I_{SLEEP}		TBD	250	μA	Sleep Mode active, 2 sensors monitored
	I_{DSLEEP}		TBD	100	μA	Deep Sleep or Deact modes active
	I_{DD}		TBD	1	mA	Average current Capacitive Sensing Active, LED's enabled
Capacitive Touch Sensor						
Base Capacitance	C_{BASE}	5	15	50	pF	Pad untouched
Detectable Capacitive Shift	ΔC_{TOUCH}	0.1	0.4	2	pF	Pad touched

Table 2.2 Electrical Specifications (continued)

V _{DD} = 3V to 3.6V, T _A = 0°C to 100°C, all Typical values at T _A = 27°C unless otherwise noted.						
CHARACTERISTIC	SYMBOL	MIN	TYP	MAX	UNIT	CONDITIONS
Sample Time	t _{TOUCH}		2.5		ms	
Update Time	Δt _{TOUCH}		35		ms	
Recalibration Interval	Δt _{CAL}		8		s	Automatic Recalibration active, no touch active, Default settings
LED / GPIO Drivers (LED / GPIO 1 - 8)						
Duty Cycle	DUTY _{LED}	0		100	%	Programmable
Sinking Current	I _{SINK}			24	mA	V _{OL} = 0.4
Sourcing Current	I _{SOURCE}			24	mA	V _{OH} = V _{DD} - 0.4
Input High Voltage	V _{IH}	2.0			V	LED / GPIO configured as input
Input Low Voltage	V _{IL}			0.8	V	LED / GPIO configured as input
LED Drivers (LED 9 - LED 10)						
Duty Cycle	DUTY _{LED}	0		100	%	Programmable
Sinking Current	I _{SINK}			24	mA	
Output Low Voltage	V _{OL}			0.4	V	I _{SINK} = 24mA
LED11 Driver						
Duty Cycle	DUTY _{LED}	0		100	%	Programmable
Sinking Current	I _{SINK}			48	mA	
Output Low Voltage	V _{OL}			0.4	V	I _{SINK} = 48mA
I/O Pins - SMDATA, SMCLK, and ALERT Pins						
Output Low Voltage	V _{OL}			0.4	V	I _{SINK_IO} = 8mA
Output High Voltage	V _{OH}	V _{DD} - 0.4			V	ALERT pin active high and asserted I _{SOURCE_IO} = 8mA
Input High Voltage	V _{IH}	2.0			V	
Input Low Voltage	V _{IL}			0.8	V	
Leakage Current	I _{LEAK}			±5	uA	powered or unpowered T _A < 85°C
RESET Pin						
Input High Voltage	V _{IH}	2.0			V	
Input Low Voltage	V _{IL}			0.8	V	
RESET Pin assertion to device reset	t _{RST_OFF}		1	10	us	

Table 2.2 Electrical Specifications (continued)

V _{DD} = 3V to 3.6V, T _A = 0°C to 100°C, all Typical values at T _A = 27°C unless otherwise noted.						
CHARACTERISTIC	SYMBOL	MIN	TYP	MAX	UNIT	CONDITIONS
RESET Pin release to fully active operation	t _{RST_ON}		400	500	ms	
SMBus Timing						
Input Capacitance	C _{IN}		5		pF	
Clock Frequency	f _{SMB}	10		400	kHz	
Spike Suppression	t _{SP}			50	ns	
Bus free time Start to Stop	t _{BUF}	1.3			us	
Setup Time: Start	t _{SU:STA}	0.6			us	
Setup Time: Stop	t _{SU:STP}	0.6			us	
Data Hold Time	t _{HD:DAT}	0.6		6	us	
Data Setup Time	t _{SU:DAT}	0.6		72	us	
Clock Low Period	t _{LOW}	1.3			us	
Clock High Period	t _{HIGH}	0.6			us	
Clock/Data Fall time	t _{FALL}			300	ns	Min = 20+0.1C _{LOAD} ns
Clock/Data Rise time	t _{RISE}			300	ns	Min = 20+0.1C _{LOAD} ns
Capacitive Load	C _{LOAD}			400	pF	per bus line

Chapter 3 Communications

The CAP1014 communicates via the SMBus or I²C communications protocols.

APPLICATION NOTE: Upon power up, the CAP1014 will not respond to any SMBus communications for 10ms. After this time, full functionality is available.

3.1 System Management Bus Protocol

The CAP1014 communicates with a host controller, such as an SMSC SIO, through the SMBus. The SMBus is a two-wire serial communication protocol between a computer host and its peripheral devices. A detailed timing diagram is shown in Figure 3.1. Stretching of the SMCLK signal is supported, however the CAP1014 will not stretch the clock signal.

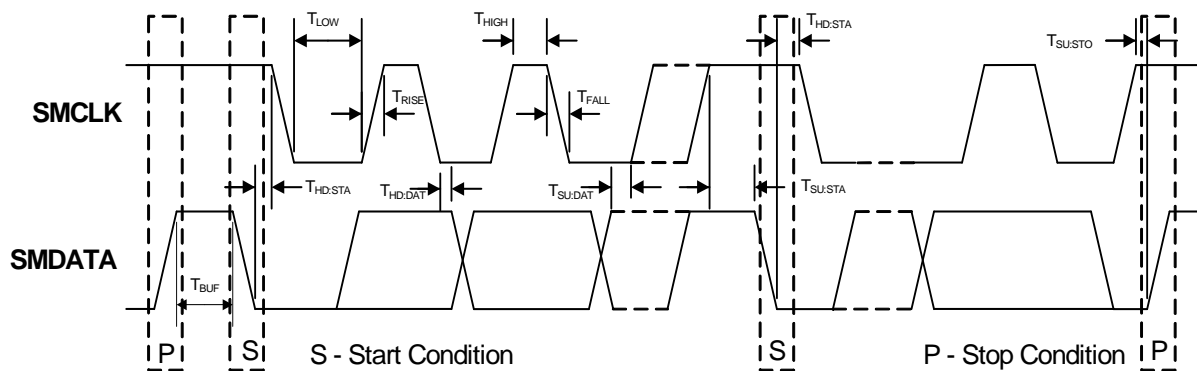


Figure 3.1 SMBus Timing Diagram

3.1.1 SMBus Start Bit

The SMBus Start bit is defined as a transition of the SMBus Data line from a logic '1' state to a logic '0' state while the SMBus Clock line is in a logic '1' state.

3.1.2 SMBus Address and RD / $\overline{\text{WR}}$ Bit

The SMBus Address Byte consists of the 7-bit client address followed by the RD / $\overline{\text{WR}}$ indicator bit. If this RD / $\overline{\text{WR}}$ bit is a logic '0', then the SMBus Host is writing data to the client device. If this RD / $\overline{\text{WR}}$ bit is a logic '1', then the SMBus Host is reading data from the client device.

The CAP1014 responds to the slave address 0101_000xb. Multiple addressing options are available. For more information contact SMSC.

3.1.3 SMBus Data Bytes

All SMBus Data bytes are sent most significant bit first and composed of 8-bits of information.

3.1.4 SMBus ACK and NACK Bits

The SMBus client will acknowledge all data bytes that it receives. This is done by the client device pulling the SMBus Data line low after the 8th bit of each byte that is transmitted. This applies to both the Write Byte and Block Write protocols

The Host will NACK (not acknowledge) the last data byte to be received from the client by holding the SMBus data line high after the 8th data bit has been sent. For the Block Read protocol, the Host will ACK each data byte that it receives except the last data byte.

3.1.5 SMBus Stop Bit

The SMBus Stop bit is defined as a transition of the SMBus Data line from a logic '0' state to a logic '1' state while the SMBus clock line is in a logic '1' state. When the CAP1014 detects an SMBus Stop bit, and it has been communicating with the SMBus protocol, it will reset its client interface and prepare to receive further communications.

3.1.6 SMBus Time-out

The CAP1014 includes an SMBus time-out feature. Following a 30ms period of inactivity on the SMBus where the SMCLK pin is held low, the device will time-out and reset the SMBus interface.

The time-out function defaults to disabled. It can be enabled by setting the TIMEOUT bit in the Configuration register (see [Section 5.13](#)).

3.1.7 SMBus and I²C Compliance

The major difference between SMBus and I²C devices is highlighted here. For complete compliance information refer to the SMBus 2.0 specification.

1. Minimum frequency for SMBus communications is 10kHz.
2. The client protocol will reset if the clock is held low longer than 30ms.
3. The client protocol will reset if both the clock and the data line are high for longer than 150us (idle condition).
4. I²C devices do not support the Alert Response Address functionality (which is optional for SMBus).

3.2 SMBus Protocols

The CAP1014 is SMBus 2.0 compatible and supports Send Byte, Read Byte, Block Read, Receive Byte as valid protocols as shown below. The CAP1014 also supports the I²C block read and block write protocols. Finally, it will respond to the Alert Response Address protocol but is not in full compliance.

All of the below protocols use the convention in [Table 3.1](#).

Table 3.1 Protocol Format

DATA SENT TO DEVICE	DATA SENT TO THE HOST
Data sent	Data sent

Datasheet

3.2.1 SMBus Write Byte

The Write Byte is used to write one byte of data to a specific register as shown in [Table 3.2](#).

Table 3.2 Write Byte Protocol

START	CLIENT ADDRESS	WR	ACK	REGISTER ADDRESS	ACK	REGISTER DATA	ACK	STOP
1 -> 0	0101_000	0	0	XXh	0	XXh	0	0 -> 1

3.2.2 Block Write

The Block Write is used to write multiple data bytes to a group of contiguous registers as shown in [Table 3.3](#). It is an extension of the Write Byte Protocol.

APPLICATION NOTE: When using the Block Write protocol, the internal address pointer will be automatically incremented after every data byte is received. It will wrap from FFh to 00h.

Table 3.3 Block Write Protocol

START	CLIENT ADDRESS	WR	ACK	REGISTER ADDRESS	ACK	REGISTER DATA	ACK
1 -> 0	0101_000	0	0	XXh	0	XXh	0
REGISTER DATA	ACK	REGISTER DATA	ACK	...	REGISTER DATA	ACK	STOP
XXh	0	XXh	0	...	XXh	0	0 -> 1

3.2.3 SMBus Read Byte

The Read Byte protocol is used to read one byte of data from the registers as shown in [Table 3.4](#).

Table 3.4 Read Byte Protocol

START	CLIENT ADDRESS	WR	ACK	REGISTER ADDRESS	ACK	START	CLIENT ADDRESS	RD	ACK	REGISTER DATA	NACK	STOP
1->0	0101_000	0	0	XXh	0	1 -> 0	0101_000	1	0	XXh	1	0 -> 1

3.2.4 Block Read

The Block Read is used to read multiple data bytes from a group of contiguous registers as shown in [Table 3.5](#). It is an extension of the Read Byte Protocol.

APPLICATION NOTE: When using the Block Read protocol, the internal address pointer will be automatically incremented after every data byte is received. It will wrap from FFh to 00h.

Table 3.5 Block Read Protocol

START	CLIENT ADDRESS	WR	ACK	REGISTER ADDRESS	ACK	START	CLIENT ADDRESS	RD	ACK	REGISTER DATA
1->0	0101_000	0	0	XXh	0	1->0	0101_000	1	0	XXh
ACK	REGISTER DATA	ACK	REGISTER DATA	ACK	REGISTER DATA	ACK	...	REGISTER DATA	NACK	STOP
0	XXh	0	XXh	0	XXh	0	...	XXh	1	0->1

3.2.5 SMBus Send Byte

The Send Byte protocol is used to set the internal address register pointer to the correct address location. No data is transferred during the Send Byte protocol as shown in [Table 3.6](#).

Table 3.6 Send Byte Protocol

START	CLIENT ADDRESS	WR	ACK	REGISTER ADDRESS	ACK	STOP
1->0	0101_000	0	0	XXh	0	0->1

3.2.6 SMBus Receive Byte

The Receive Byte protocol is used to read data from a register when the internal register address pointer is known to be at the right location (e.g. set via Send Byte). This is used for consecutive reads of the same register as shown in [Table 3.7](#).

Table 3.7 Receive Byte Protocol

START	CLIENT ADDRESS	RD	ACK	REGISTER DATA	NACK	STOP
1->0	0101_000	1	0	XXh	1	0->1

Chapter 4 Product Description

The CAP1014 is a multiple channel Capacitive Touch sensor and LED Driver.

The CAP1014 contains up to 14 individual Capacitive Touch sensor inputs with programmable sensitivity for use in touch button and slider switch applications. Each sensor also contains automatic recalibration.

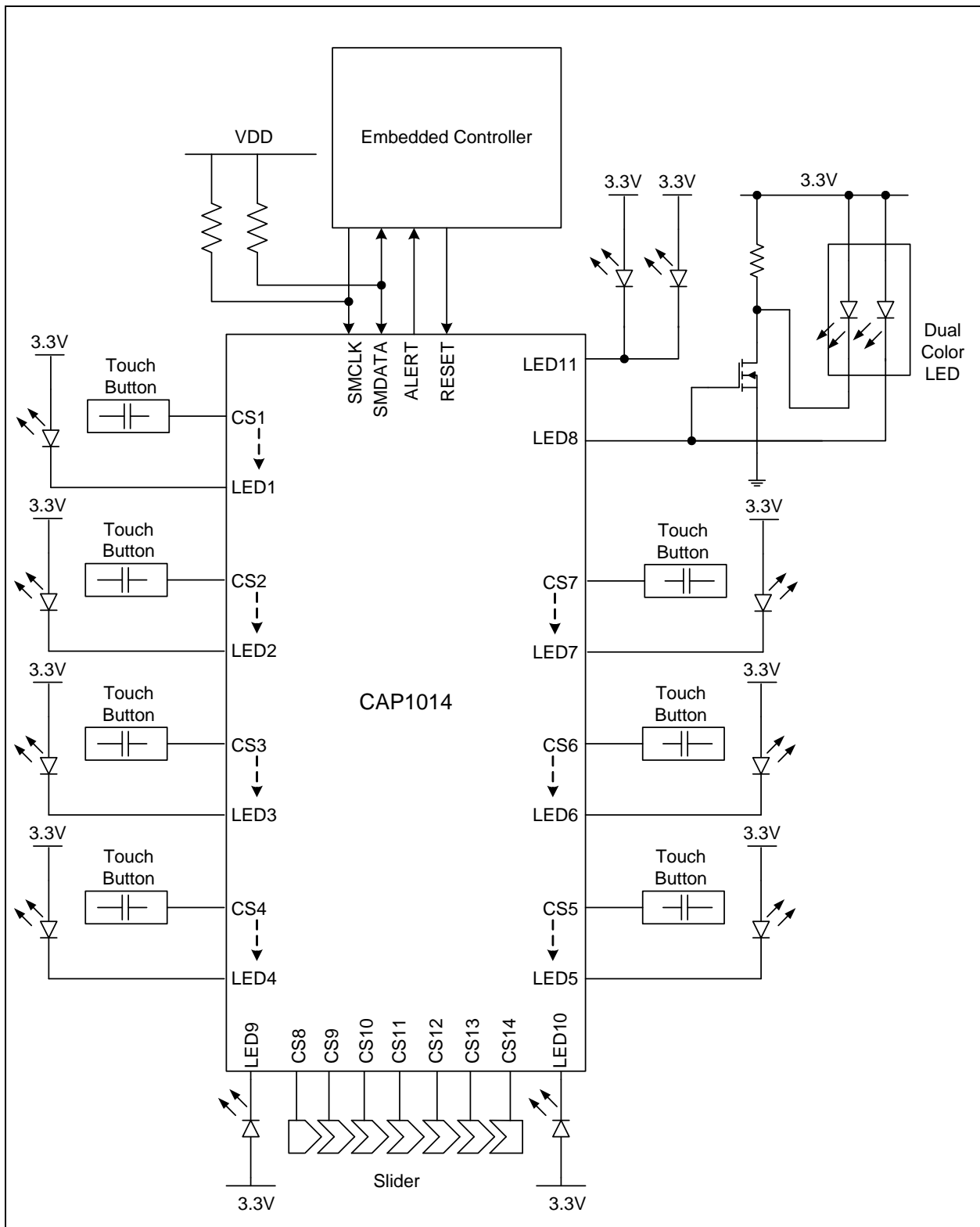
The CAP1014 also contains eleven (11) open drain LED drivers that offer full-on / off, variable rate breathing, and dimness controls. Eight (8) of these LEDs can double as GPIOs and support open-drain or push-pull operation. Capacitive buttons can be linked to LED outputs. Additionally, LEDs 1-7 may be optionally linked to Buttons 1-7 so that when a touch is detected, the LED is actuated.

The device communicates with a host controller using SMBus. The host controller may poll the device for updated information at any time or it may configure the device to flag an interrupt whenever a press is detected on any sensor.

Each sensor is polled by the device approximately every 35 ms. The host may also initiate a recalibration routine for one or more sensors or set up times and conditions so that the device automatically invokes the re-calibration routine.

The CAP1014 contains multiple power states including several low power operating modes. In addition, it contains a user driven RESET pin to force the device to reset.

A typical system diagram is shown in [Figure 4.1](#).


Figure 4.1 System Diagram for CAP1014

4.1 Power States

The CAP1014 has four operating states depending on the status of the SLEEP, DEACT, and DSLEEP bits (see [Section 5.1](#)). They are described below and summarized in [Table 4.1](#). When the device transitions between power states, previously detected touches (for deactivated channels) are cleared and the status bits reset.

1. Fully Active - The device is fully active. It is monitoring all active Capacitive Sensor channels and driving all LED channels as defined.
2. Sleep - The device is in Sleep Mode. It is monitoring a limited number of Capacitive Sensor channels (default 2). Interrupts will still be generated based on the active channels. The device will still respond to SMBus commands normally and can be returned to the Fully Active mode by clearing the SLEEP bit. The LED11 channel is controlled via the PWR_LED control (see [Section 5.1](#)). All other LEDs will not be affected.
3. Deep Sleep - The device is in Deep Sleep mode. It is not monitoring any Capacitive Sensor channels or the SMBus. The LED11 channel is controlled via the PWR_LED control (see [Section 5.1](#)). All other LEDs will have PWM controls suspended so they should be disabled prior to entering this mode. If these LEDs are not disabled, then the system will show excess current draw from these LEDs.

When the device leaves the Deep Sleep mode (by externally driving the ALERT pin to its active state), then it automatically returns to its defined state and clears the DSLEEP bit. When the device enters the Deep Sleep mode, it will release control to the ALERT pin and will change the direction of the ALERT pin (i.e. the device will monitor the ALERT pin instead of driving it).

4. Inactive - The device is inactive. It is not monitoring any Capacitive Sensor channels. The device will still respond to SMBus commands normally and can be returned to Fully Active Mode by clearing the DEACT bit. All LEDs will have PWM controls suspended so they should be disabled prior to entering this mode. If these LEDs are not disabled, then the system will show excess current draw from these LEDs.

Table 4.1 Power Modes

POWER MODE	DEACT	SLEEP	DSLEEP
Fully Active	0	0	0
Deep Sleep waking to Fully Active	0	0	1
Sleep	0	1	0
Deep Sleep waking to Sleep	0	1	1
Inactive	1	0	0
Deep Sleep waking to Inactive	1	0	1
Inactive	1	1	0
Deep Sleep waking to Inactive	1	1	1

The priority of power control signals is:

1. DSLEEP - when set will override DEACT, disable all LED's except LED11 then disable SMBus communications.
2. DEACT - when set, will override the SLEEP controls. It will disable sensor measurement and all LED's
3. SLEEP - when set, will enable Sleep mode.

4.2 RESET Pin

The RESET pin is an active high reset that is driven from an external source. While it is asserted high, all the internal blocks will be held in reset including the SMBus. All configuration settings will be reset to default states and all readings will be cleared. Once the RESET pin is pulled low, the CAP1014 will begin operation as if a power-on-reset had occurred.

4.3 LED Drivers

The CAP1014 contains eleven (11) LED Drivers. Each LED Driver is controlled independently of the others and may be linked to the corresponding Capacitive Touch Sensor inputs. In addition, LED drivers 1 - 8 can be configured to operate in one of the following modes with either push-pull or open-drain drive. LED drivers 9 - 11 will only operate in as an open-drain driver.

1. Direct - The LED is configured to be on or off when the corresponding button is pressed or not pressed. The dimness of both “on” states and “off” states can be programmed as well as the rising and falling ramp times and delay when the corresponding button is released
2. Breathe - The LED is configured to breathe. Over the course of the programmed cycle the LED will transition from the programmed minimum to the programmed maximum and then back off again. This mode operates independently of any stimuli or may be linked so that the LED breathes when the stimuli is asserted (or deasserted). This feature is commonly used for power LEDs when in standby mode.
3. Pulse - The LED is configured to breathe 5 times with a programmable rate and dimness controls. This mode is linked to a button press detection or release.

LED11 operates differently than the other LED outputs in three ways. First, it is configured to drive up to two external LED channels simultaneously. Second, it is not disabled during the Sleep or Deep Sleep modes of operation (see [Section 5.1](#)) and allows for different behaviors when the device is in Fully Active Mode versus when the device is in Sleep or Deep Sleep mode.

4.3.1 Linking LEDs to Capacitive Touch Sensors

LEDs 1 - 7 can be optionally linked to Capacitive Touch Sensors 1-7 so that when the sensor detects a button press, the corresponding LED will be actuated at one of the programmed responses.

4.4 Capacitive Touch Sensing

The CAP1014 contains 14 independent Capacitive Touch Sensor inputs. Each sensor has dynamic range to detect a change of capacitance due to a touch. Additionally, each sensor can be configured to be automatically and routinely re-calibrated.

4.4.1 Multiple Button Presses

If multiple sensor buttons (with a programmable threshold - see [Section 5.22](#)) are simultaneously detected, then only the first N buttons that are detected are flagged. All other buttons are ignored. Furthermore, the device remembers which buttons were legitimate so new touches are not detected so long as N buttons are pressed.

Likewise, if too many (based on the programmed threshold - see [Section 5.22](#)) grouped sensor presses are detected, then the device will block all press detections on the grouped buttons and cancel any current presses as if the sensor had been released.

4.4.2 Grouped Sensors

Capacitive Touch Sensors 8 through 14 inclusive are automatically grouped as a single entity. Each sensor is sampled independently, however for purposes of activation, recalibration, and repeat rates,

Datasheet

all of them are treated as one group. The Group also has different controls and allows for different behavior such as sliding, tapping, or press and hold.

4.4.3 Sensing Cycle

Each Capacitive Touch Sensor has controls to be activated and included in the sensing cycle. When the device is active, it automatically initiates a sensing cycle and repeats the cycle every time it finishes. The cycle polls through each active Sensor starting with CS1 and extending through CS14. As each Capacitive Touch Sensor is polled, its measurement is compared against a baseline “not touched” measurement. If the delta measurement is large enough, then a touch is detected and an interrupt generated.

4.4.4 Recalibrating Sensors

Each sensor is regularly recalibrated at an adjustable rate. By default, the recalibration routine stores the average 256 previous measurements and periodically updates the base “Not Touched” setting for the Capacitive Touch Sensor input. This routine is disabled automatically if a touch is detected so the touch does not factor into the base “Not Touched” setting.

4.5 Grouped Sensor Behavior

The CAP1014 Grouped sensors function as a single entity that operates differently than the individual button sensors. This group functions as a slider and offers three different interface functions associated with it.

4.5.1 Tap

If a touch on any Grouped sensor is detected and held for less than or equal to the M_PRESS bit settings (default 245ms), then a group press is detected, the TAP bit is set, and an interrupt is generated. Furthermore, the relative position on the slider is determined and the appropriate UP or DOWN status bits are set and the appropriate LED is actuated.

No further action is taken. If a slide is subsequently detected, then the TAP status bit is cleared.

4.5.2 Press and Hold

If a touch on any Grouped sensor is held for longer than the M_PRESS bit settings (default 245ms), then a Group Touch is detected and an interrupt is generated. Furthermore, the relative position on the slider is determined and the appropriate UP or DOWN status bits are set, the PH bit is set, and the appropriate LED is actuated.

So long as the Grouped sensor is held, it will flag an interrupt at the programmed repeat rate (as determined by the RPT_RATE_PH bit settings) indefinitely. Once the touch has been removed, then the Group is returned to its normal operating condition.

The M_PRESS setting is important to distinguish between Tap, Press & Hold and Sliding. If M_PRESS is set too low, a Press & Hold may be detected during a slow slide. This will cause user confusion as the Slide direction and LED may change. Longer M_PRESS settings will ensure that the 3 Group behaviors are reliably distinct and will add more delay prior to the Press & Hold repeat interrupt generation.

4.5.3 Slider

The Grouped sensors have the capability to detect a slide in either the “Up” or “Down” direction as referenced by the sensor numbers that are used. For example, an “Up” direction slide would be detected if CS8 detected a touch, followed by CS9, then by CS10 etc. Likewise, a “Down” direction slide would be detected if CS10 detected a touch, followed by CS9, then by CS8 etc.

Slides in either direction are configured to flag an interrupt and to cause an LED to be actuated (separate for each direction). The Slide is detected independently of a Press and Hold or a Tap condition and only one condition may be present at any one time.

So long as a slide is maintained in either direction, it will flag an interrupt at the programmed repeat rate (as determined by the RPT_RATE_SL bit settings). If the slide is removed or changes direction, then it will reset and return to normal operation.

4.5.4 Relative Position

The CAP1014 has the option to indicate the relative position of a touch on the Grouped sensors. This value is stored either as a scaled number from 2 to 98 indicating where a tap, press and hold, or the end of a slide was detected or as a 8-bit number that represents volumetric data. When configured to store volumetric data, the user may write a base setting at any time that is modified based on Grouped sensor behavior (see [Section 5.4](#)).

4.5.5 Slider Velocity

The repeat rate can be dynamically increased based on the speed of a slide. This permits slow sliding motions to have precise, step-by-step volume control and faster motions to generate increasingly fast volume changes.

Two techniques are employed to make increase the number of interrupts generated based on speed. First, the slide speed is measured and the repeat rate is increased to provide more interrupts for the same distance traveled relative to a slower slide. Second, additional interrupts are generated immediately after the slide ends to further increase the change in volume. The number of additional interrupts is based on slide speed; both of these dynamic slider behaviors are controlled by the Slider Velocity Register.

4.6 ALERT Pin

The ALERT pin is an active high output that is driven high when an interrupt event is detected. It is also used to wake the device from Deep Sleep mode.

Whenever an interrupt is generated, the INT bit (see [Section 5.1](#)) is set. The ALERT pin is cleared when INT bit is cleared by the user. Additionally, when the INT bit is cleared by the user status bits are cleared only if no press is detected.

4.6.1 Button Interrupt Behavior

For non-grouped buttons, an interrupt is generated when a touch is detected. If the repeat rate is enabled (see [Section 5.13](#)), then, so long as the touch is held, another interrupt will be generated based on the programmed repeat rate (see [Figure 4.2](#)). An interrupt will be generated whenever a release is detected (see [Figure 4.3](#)).

4.6.2 Grouped Sensor Interrupt Behavior

For grouped sensors, an interrupt is generated upon initial detection of a a tap, slide, or press and hold event. Then, subsequent interrupts are generated as follows:

1. For a slide event, an interrupt is generated based on the programmed repeat rate as well as the velocity of the slide operation. See [Figure 4.6](#) and [Figure 4.7](#). Additionally, additional interrupts are generated after the slide has finished. These extra interrupts are generated every round robin cycle (~35ms) and the number is determined by the speed of the slide.
2. For a tap event there are no further interrupts. See [Figure 4.4](#).
3. For a press and hold event, interrupts are generated based on the programmed repeat rate. If the repeat rate is disabled, then no further interrupts are generated. See [Figure 4.5](#).

Datasheet

4.6.3 Wake from Deep Sleep

This pin is also used to wake the device from the Deep Sleep power state if it is driven high from an external source. When the device enters the Deep Sleep power state, the ALERT pin output is put into a High Z mode. It requires a pull-down resistor to pull it to the inactive state. Furthermore, the CAP1014 will wait 5ms before it samples the ALERT pin for wake activity.

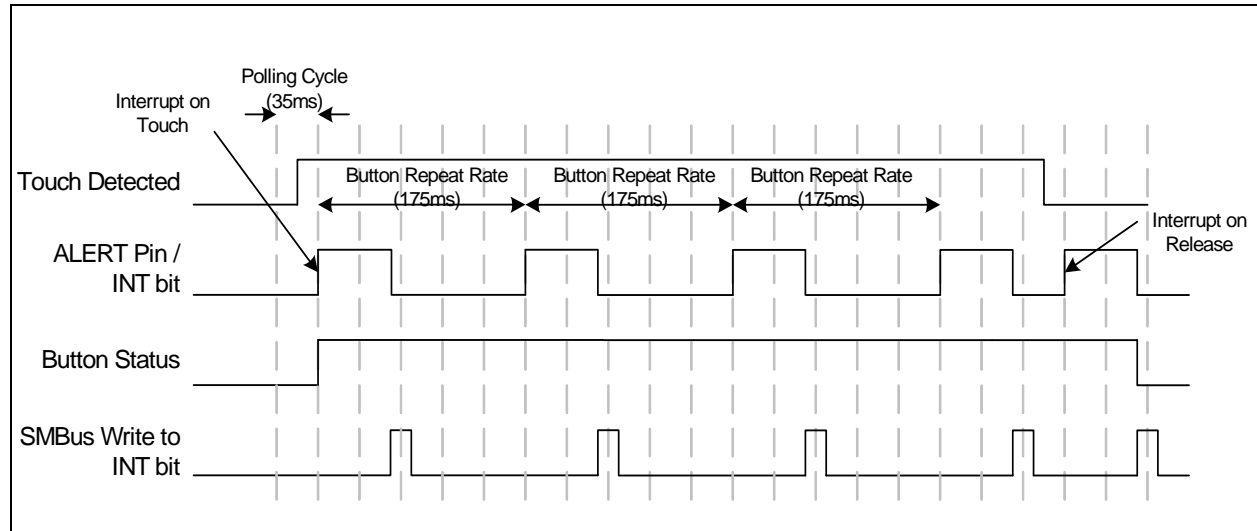


Figure 4.2 Button Interrupt Behavior - Repeat Rate Enabled (default)

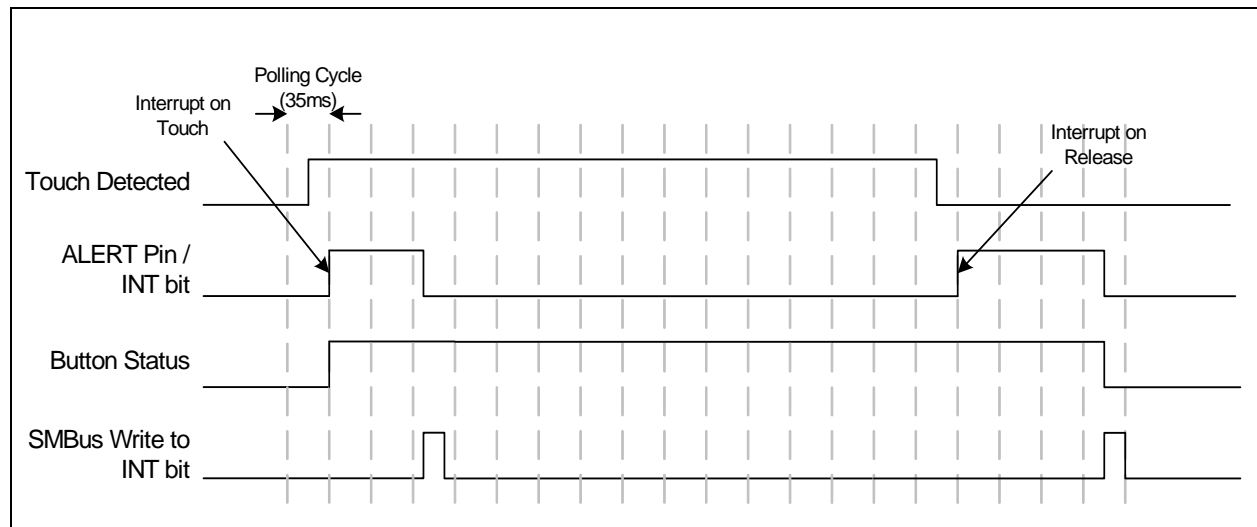
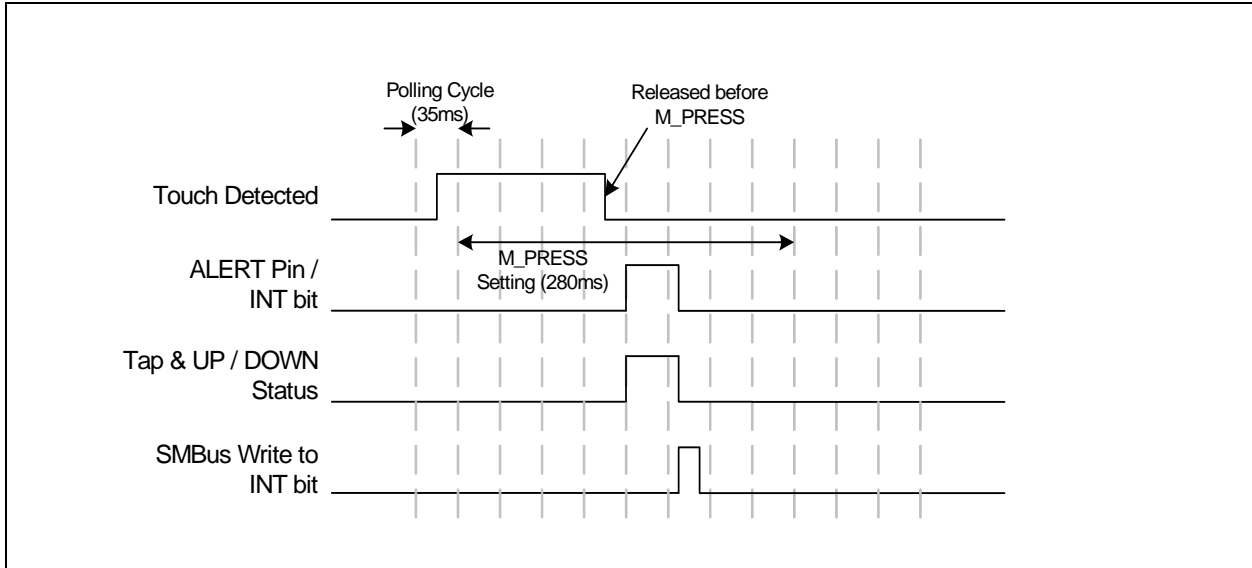
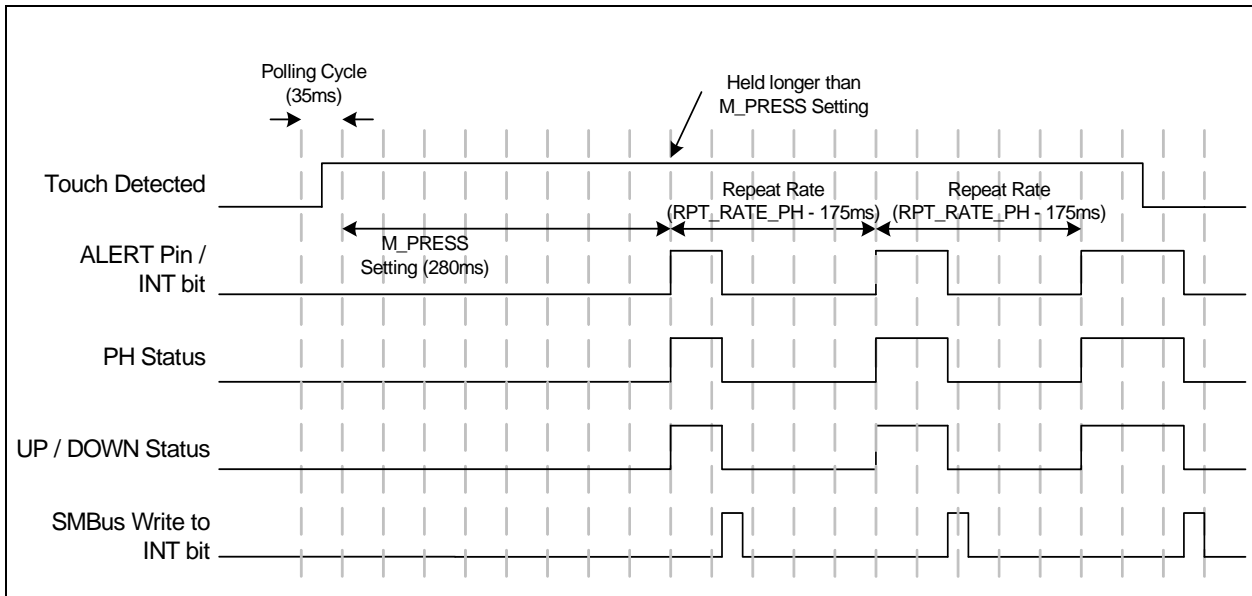


Figure 4.3 Button Interrupt Behavior - No Repeat Rate Enabled


Figure 4.4 Tap Interrupt Behavior

Figure 4.5 Press and Hold Interrupt Behavior

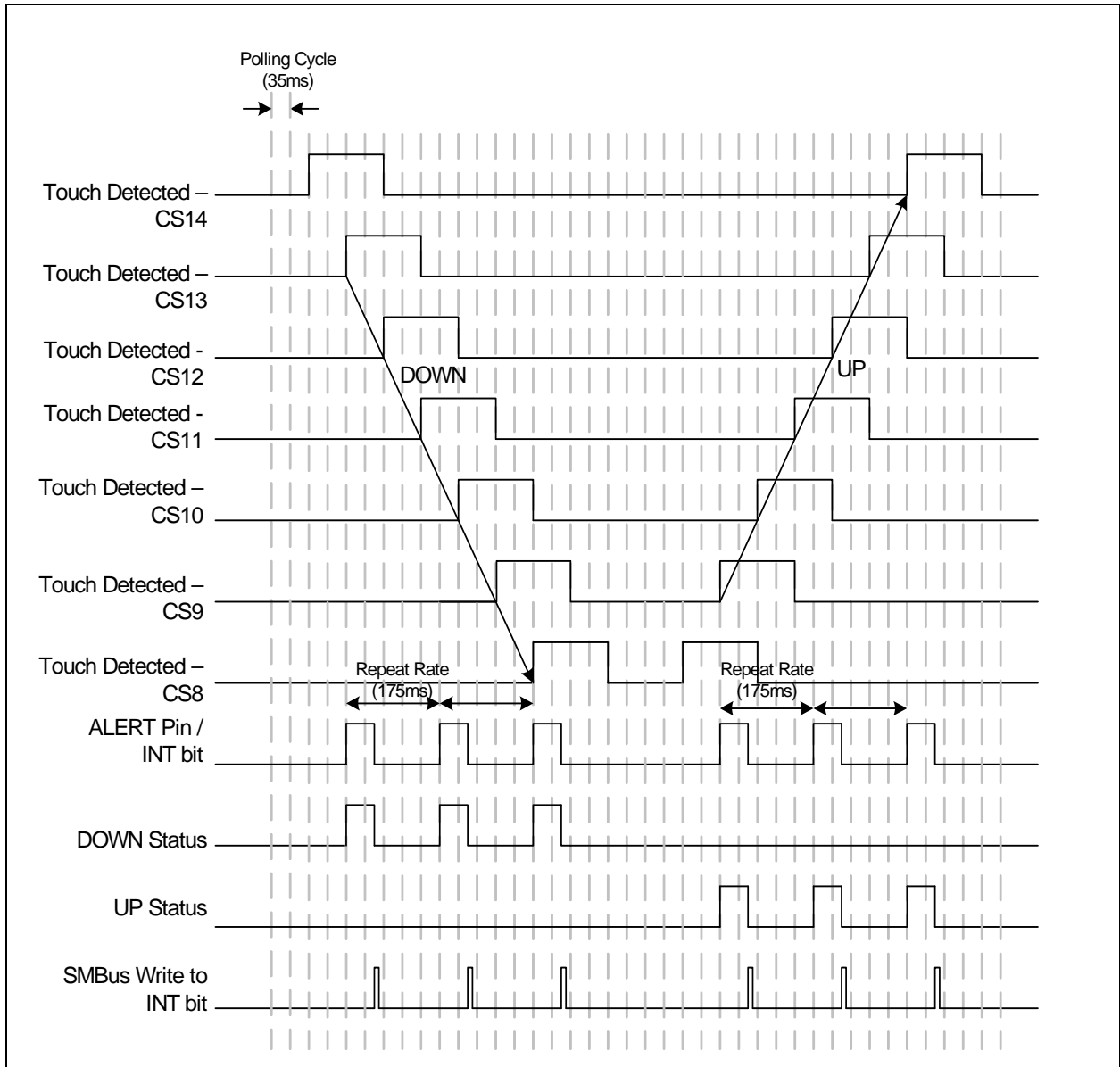


Figure 4.6 Slide Interrupt Behavior - No Acceleration

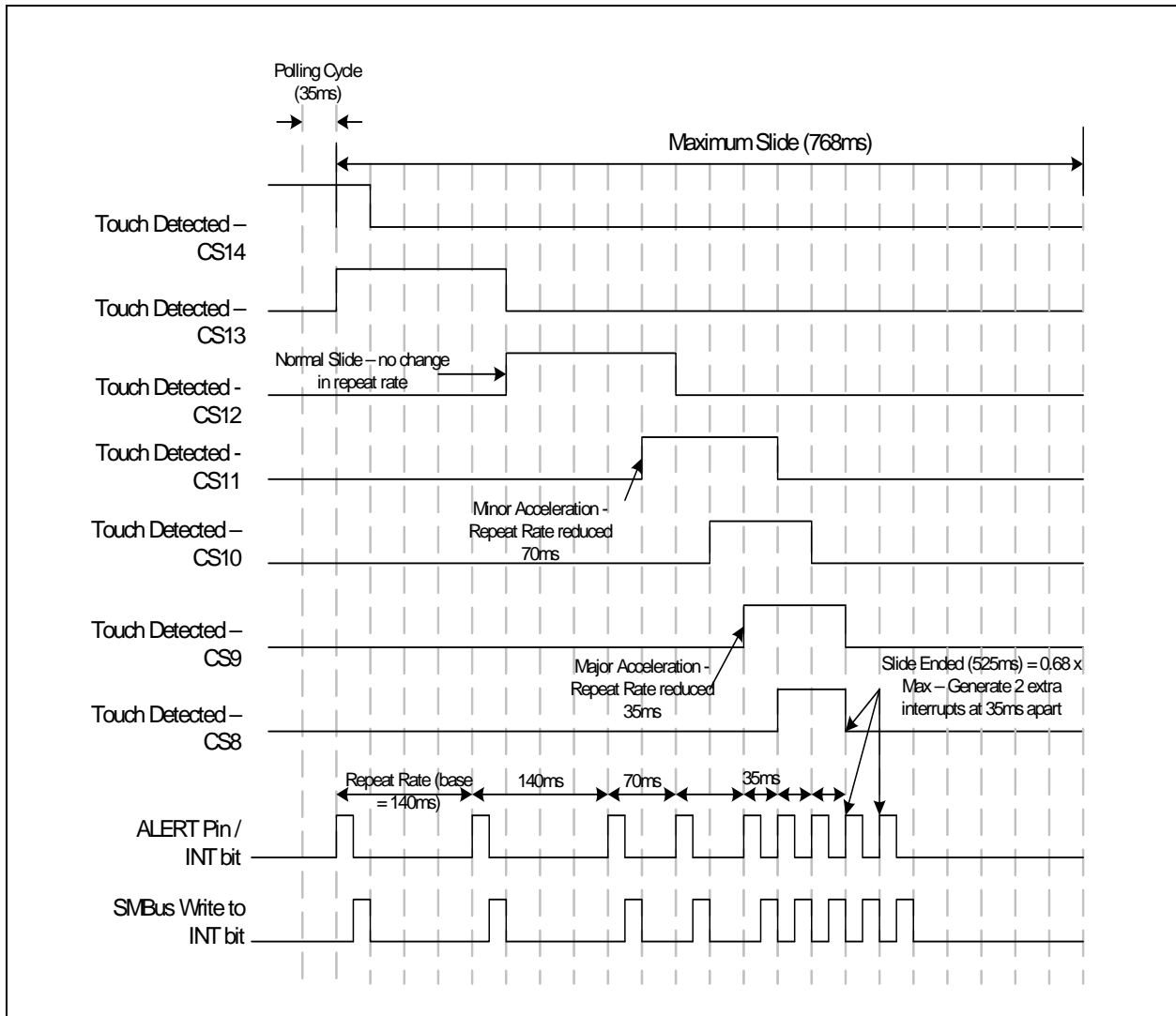


Figure 4.7 Slide Interrupt Behavior - Acceleration Example

Chapter 5 Register Description

The registers shown in [Table 5.1](#) are accessible through the SMBus. An entry of '-' indicates that the bit is not used and will always read '0'.

Table 5.1 Register Set in Hexadecimal Order

REGISTER ADDRESS	R/W	REGISTER NAME	FUNCTION	DEFAULT VALUE	PAGE
00h	R/W	Main Status Control	Controls general sleep states and power dissipation	00h	Page 33
03h	R	Button Status 1	Returns the state of the Cap Sensor group and buttons 1 - 6 and slider controls	00h	Page 34
04h	R	Button Status 2	Returns the state of buttons 7 - 14	00h	Page 34
05h	R	Build Revision	Stores the functional revision of the device build	10h	Page 36
06h	R-C / R/W	Slider Position / Volumetric Data	Returns the relative position of a press on the slider or volumetric data	00h	Page 36
08h	R	Vendor ID	Stores a fixed value that identifies SMSC	5Dh	Page 37
09h	R/W	Volumetric Step	Controls the step used for volumetric data increases for a slide	01h	Page 37
0Ah	R	Noise Flag Status 1	Stores the noise flags for sensors 1 - 7	00h	Page 38
0Bh	R	Noise Flag Status 2	Stores the noise flags for sensors 8 - 14	00h	Page 38
0Eh	R-C	GPIO Status	Stores the status of LED1 / GPIO1 through LED8 / GPIO8 pins	00h	Page 38
0Fh	R-C	Group Status	Returns the state of the Grouped sensors	00h	Page 38
10h	R	Sensor 1 Delta Count	Stores the delta count for CS1	00h	Page 39
11h	R	Sensor 2 Delta Count	Stores the delta count for CS2	00h	Page 39
12h	R	Sensor 3 Delta Count	Stores the delta count for CS3	00h	Page 39
13h	R	Sensor 4 Delta Count	Stores the delta count for CS4	00h	Page 39
14h	R	Sensor 5 Delta Count	Stores the delta count for CS5	00h	Page 39
15h	R	Sensor 6 Delta Count	Stores the delta count for CS 6	00h	Page 39

Table 5.1 Register Set in Hexadecimal Order (continued)

REGISTER ADDRESS	R/W	REGISTER NAME	FUNCTION	DEFAULT VALUE	PAGE
16h	R	Sensor 7 Delta Count	Stores the delta count for CS7	00h	Page 39
17h	R	Sensor 8 Delta Count	Stores the delta count for CS8	00h	Page 39
18h	R	Sensor 9 Delta Count	Stores the delta count for CS9	00h	Page 39
19h	R	Sensor 10 Delta Count	Stores the delta count for CS10	00h	Page 39
1Ah	R	Sensor 11 Delta Count	Stores the delta count for CS11	00h	Page 39
1Bh	R	Sensor 12 Delta Count	Stores the delta count for CS12	00h	Page 39
1Ch	R	Sensor 13 Delta Count	Stores the delta count for CS13	00h	Page 39
1Dh	R	Sensor 14 Delta Count	Stores the delta count for CS14	00h	Page 39
1Eh	R/W	Queue Control	Controls how many samples must exceed touch threshold for Button press detections	03h	Page 40
1Fh	R/W	Data Sensitivity	Controls the sensitivity of the threshold and delta counts and data scaling of the base counts	2Fh	Page 41
20h	R/W	Configuration	Controls some recalibration and LED controls	2Dh	Page 42
21h	R/W	Sensor Enable	Controls whether the Capacitive Touch Sensor group and button inputs 1 - 7 are sampled	FFh	Page 43
22h	R/W	Button Configuration	Controls reset delay and auto-repeat delay for buttons	A4h	Page 44
23h	R/W	Group Configuration 1	Controls the detection dwell time before a press is detected within the group	47h	Page 46
24h	R/W	Group Configuration 2	Controls reset delay and auto-repeat delay for grouped sensors	D4h	Page 46
25h	R/W	Calibration Enable	Controls automatic calibration for grouped sensors and sensors 1 - 7	FFh	Page 47
26h	R/W	Calibration Activate	Activates manual re-calibration for grouped sensors and sensors 1 - 7	00h	Page 47
27h	R/W	Interrupt Enable 1	Enables Interrupts associated with the grouped sensors and sensors 1 - 7	FFh	Page 48
28h	R/W	Interrupt Enable 2	Enables Interrupts associated with GPIOs 1 - 8	00h	Page 48

Table 5.1 Register Set in Hexadecimal Order (continued)

REGISTER ADDRESS	R/W	REGISTER NAME	FUNCTION	DEFAULT VALUE	PAGE
29h	R/W	Sleep Channel Control	Determines the number and which channels are measured during Sleep Mode	00h	Page 49
2Ah	R/W	Multiple Press Configuration	Determines the number of simultaneous presses to flag a multiple press condition	82h	Page 50
2Fh	R/W	Recalibration Configuration	Determines re-calibration timing and sampling window	93h	Page 51
30h	R/W	Sensor 1 Threshold	Stores the delta count threshold to determine a touch for Capacitive Touch Sensor 1	40h	Page 53
31h	R/W	Sensor 2 Threshold	Stores the delta count threshold to determine a touch for Capacitive Touch Sensor 2	40h	Page 53
32h	R/W	Sensor 3 Threshold	Stores the delta count threshold to determine a touch for Capacitive Touch Sensor 3	40h	Page 53
33h	R/W	Sensor 4 Threshold	Stores the delta count threshold to determine a touch for Capacitive Touch Sensor 4	40h	Page 53
34h	R/W	Sensor 5 Threshold	Stores the delta count threshold to determine a touch for Capacitive Touch Sensor 5	40h	Page 53
35h	R/W	Sensor 6 Threshold	Stores the delta count threshold to determine a touch for Capacitive Touch Sensor 6	40h	Page 53
36h	R/W	Sensor 7 Threshold	Stores the delta count threshold to determine a touch for Capacitive Touch Sensor 7	40h	Page 53
37h	R/W	Group Threshold	Stores the delta count threshold to determine a touch on any of the Grouped Sensors	40h	Page 53
38h	R/W (unlock)	Button Noise Threshold 1	Stores controls for selecting the noise threshold for buttons 1 - 4	55h	Page 53
39h	R/W (unlock)	Button Noise Threshold 2	Stores controls for selecting the noise threshold for buttons 7 - 5 and the Grouped sensors	55h	Page 53
3Eh	R/W	Slider Velocity Configuration	Determines speed parameters for the slider	C5	Page 54
50h	R	Sensor 1 Base Count	Stores the reference count value for sensor 1	00h	Page 56
51h	R	Sensor 2 Base Count	Stores the reference count value for sensor 2	00h	Page 56
52h	R	Sensor 3 Base Count	Stores the reference count value for sensor 3	00h	Page 56

Table 5.1 Register Set in Hexadecimal Order (continued)

REGISTER ADDRESS	R/W	REGISTER NAME	FUNCTION	DEFAULT VALUE	PAGE
53h	R	Sensor 4 Base Count	Stores the reference count value for sensor 4	00h	Page 56
54h	R	Sensor 5 Base Count	Stores the reference count value for sensor 5	00h	Page 56
55h	R	Sensor 6 Base Count	Stores the reference count value for sensor 6	00h	Page 56
56h	R	Sensor 7 Base Count	Stores the reference count value for sensor 7	00h	Page 56
57h	R	Sensor 8 Base Count	Stores the reference count value for sensor 8	00h	Page 56
58h	R	Sensor 9 Base Count	Stores the reference count value for sensor 9	00h	Page 56
59h	R	Sensor 10 Base Count	Stores the reference count value for sensor 10	00h	Page 56
5Ah	R	Sensor 11 Base Count	Stores the reference count value for sensor 11	00h	Page 56
5Bh	R	Sensor 12 Base Count	Stores the reference count value for sensor 12	00h	Page 56
5Ch	R	Sensor 13 Base Count	Stores the reference count value for sensor 13	00h	Page 56
5Dh	R	Sensor 14 Base Count	Stores the reference count value for sensor 14	00h	Page 56
70h	R/W	LED / GPIO Direction	Controls the direction for LED1 / GPIO1 through LED8 / GPIO8	00h	Page 57
71h	R/W	LED / GPIO Output Type	Controls the output type for LED1 / GPIO1 through LED8 / GPIO8	00h	Page 58
72h	R	GPIO Input	Stores the pin state of LED1 / GPIO1 through LED8 / GPIO8	00h	Page 58
73h	R/W	LED Output Control 1	Controls the output state of the LED drivers 1 - 8	00h	Page 58
74h	R/W	LED Output Control 2	Controls the output state of the LED drivers 9 - 11	00h	Page 58
75h	R/W	LED Polarity 1	Controls the output polarity of LEDs 1 - 8	00h	Page 60
76h	R/W	LED Polarity 2	Controls the output polarity of LEDs 9 - 11	00h	Page 60
80h	R/W	Sensor LED Linking	Controls linking of CS1 - CS7 to LED channels	00h	Page 61
81h	R/W	LED Behavior 1	Controls the behavior and response of LEDs 1 - 4	00h	Page 62
82h	R/W	LED Behavior 2	Controls the behavior and response of LEDs 5 - 8	00h	Page 62

Table 5.1 Register Set in Hexadecimal Order (continued)

REGISTER ADDRESS	R/W	REGISTER NAME	FUNCTION	DEFAULT VALUE	PAGE
83h	R/W	LED Behavior 3	Controls the behavior and response of LEDs 9 - 11	00h	Page 62
84h	R/W	LED Pulse 1 Period	Controls the period of each breathe during a pulse	20h	Page 63
85h	R/W	LED Pulse 2 Period	Controls the period of breath and pulse release operation	14h	Page 65
86h	R/W	LED Breathe Period	Controls the period of an LED breathe operation	5Dh	Page 65
88h	R/W	LED Pulse Config	Controls the number of pulses for the Pulse 1 and Pulse 2 LED behaviors	24h	Page 66
90h	R/W	LED Pulse 1 Duty Cycle	Determines the min and max duty cycle for the pulse operation	F0h	Page 66
91h	R/W	LED Pulse 2 Duty Cycle	Determines the min and max duty cycle for the breathe and pulse release operation	F0h	Page 66
92h	R/W	LED Breathe Duty Cycle	Determines the min and max duty cycle for the breathe operation	F0h	Page 66
93h	R/W	LED Direct Duty Cycle	Determines the min and max duty cycle for Direct mode LED operation	F0h	Page 66
94h	R/W	LED Direct Ramp Rates	Determines the rising and falling edge ramp rates of the LED	00h	Page 68
95h	R/W	LED Off Delay	Determines the off delay for all LED behaviors	00h	Page 68
FDh	R	Product ID	Stores a fixed value that identifies each product	2Dh	Page 69
FFh	R	Revision	Stores a fixed value that represents the revision number	81h	Page 70

During Power-On-Reset (POR), the default values are stored in the registers. A POR is initiated when power is first applied to the part and the voltage on the VDD supply surpasses the POR level as specified in the electrical characteristics. Any reads to undefined registers will return 00h. Writes to undefined registers will not have an effect.

5.1 Main Status Control Register

Table 5.2 Main Status Control Register

ADDR	R/W	REGISTER	B7	B6	B5	B4	B3	B2	B1	B0	DEFAULT
00h	R/W	Main Status Control	-	DEACT	SLEEP	DSLEP	-	-	PWR_LED	INT	00h

The Main Status and Control register controls the primary power state of the device.

Bit 6 - DEACT - Deactivates all sensor scanning and LED activity.

- '0' - (default) - Sensor scanning is active and LEDs are functional.
- '1' - All sensor scanning is disabled and all linked LED's are disabled (see [Section 5.33](#)). The only way to restart scanning is to clear this bit. The status registers are automatically cleared and the INT bit is cleared.

Bit 5 - SLEEP - Enables Sleep mode by deactivating the LED activity.

- '0' (default) - Sensor scanning is active and LEDs are functional.
- '1' - All LED's are disabled (except LED11) and the Capacitive Touch Sensor scanning is limited to the sensors set in the Sleep Channel Control register (see [Section 5.21](#)). The status registers will not be cleared.

Bit 4 - DSLEEP - Enables the Deep Sleep mode by deactivating all functions.

- '0' (default) - Sensor scanning is active and LEDs are functional.
- '1' - All sensor scanning is disabled and all LEDs are disabled (except LED11). The device will return to its previous power state when the ALERT pin is driven to its active level (see [Section 4.1](#)). The status registers are automatically cleared and the INT bit is cleared.

Bit 1 - PWR_LED - Controls the output of LED11 based on the state of bits 5 and 4.

- '0' (default) - The LED11 output is in the "inactive" or off state.
- '1' - The LED11 output is active in one of the following conditions:
 - a. Both bits 4 and 5 are set to a logic '0' (normal mode). The LED will behave as defined the the LED11_CTL bits (see [Section 5.34](#)).
 - b. Either bit 4 or bit 5 are set to a logic '1' (sleep mode). The LED will behave as defined by the LED11_ALT bits (see [Section 5.34](#)).

Bit 0 - INT - Indicates that there is an interrupt. This bit is only set if the ALERT pin has been asserted. If a channel detects a press and its associated interrupt enable bit is not set to a logic '1' then no action is taken.

This bit is cleared by writing a logic '0' to it. When this bit is cleared, the ALERT pin will be deasserted and all status registers will be cleared if the condition has been removed.

- '0' - No interrupt pending.
- '1' - A button press has been detected on one or more channels and the interrupt has been asserted.

5.2 Button Status Registers

Table 5.3 Button Status Registers

ADDR	R/W	REGISTER	B7	B6	B5	B4	B3	B2	B1	B0	DEFAULT
03h	R	Button Status 1	UP	DOWN	CS6	CS5	CS4	CS3	CS2	CS1	00h
04h	R	Button Status 2	CS14	CS13	CS12	CS11	CS10	CS9	CS8	CS7	00h

The Button Status Registers store status bits that indicate a button press has been detected. A value of '0' in any bit indicates that no button press has been detected. A value of '1' in any bit indicates that a button press has been detected.

All status bits are cleared when the device enters the Deep Sleep or Inactive states (DSLEEP = '1' or DEACT = '1' - see [Section 5.1](#)). All status bits are cleared when the INT bit is cleared and if a touch on the respective Capacitive Touch Sensor is no longer present. If a touch is still detected, then the bits will not be cleared (but this will not cause the interrupt to be asserted - see [Section 5.13](#))

Datasheet

APPLICATION NOTE: When the Button Status 1 Register is read, the Group Status register will be automatically cleared. Therefore, the Group Status register should be read prior to reading the Button Status Registers

5.2.1 Button Status 1

Bit 7 - UP - Indicates that a slide was detected on increasing sensors (i.e. Sensor 8 -> Sensor 9 -> Sensor 10). This bit is also set if a press is detected on the “Up” portion of the slider. If the Group auto-repeat is enabled, then the ALERT# pin will be periodically asserted while a slide or press and hold event is still detected. This bit is sticky and will remain set until cleared. Once cleared, it will be re-set when another interrupt is generated in the “UP” direction. This bit is automatically cleared if the DOWN bit is set.

Bit 6 - DOWN - Indicates that a slide was detected on decreasing sensors (i.e. Sensor 14 -> Sensor 13-> Sensor 12). This bit is also set if a press is detected on the “Down” portion of the slider. If the Group auto-repeat is enabled, then the ALERT# pin will be periodically asserted while a slide or press and hold event is still detected. This bit is sticky and will remain set until cleared. Once cleared, it will be re-set when another interrupt is generated in the “DOWN” direction. t. This bit is automatically cleared if the UP bit is set.

Bit 5 - CS6 - Indicates that a press was detected on Sensor 6. This sensor can be linked to LED6.

- '0' - A touch was not detected on the corresponding button.
- '1' - A touch was detected on the corresponding button.

Bit 4 - CS5 - Indicates that a press was detected on Sensor 5. This sensor can be linked to LED5.

Bit 3 - CS4 - Indicates that a press was detected on Sensor 4. This sensor can be linked to LED4.

Bit 2 - CS3 - Indicates that a press was detected on Sensor 3. This sensor can be linked to LED3

Bit 1 - CS2 - Indicates that a press was detected on Sensor 2. This sensor can be linked to LED2.

Bit 0 - CS1 - Indicates that a press was detected on Sensor 1. This sensor can be linked to LED1.

5.2.2 Button Status 2

Bit 7 - CS14 - Indicates that press was detected on Sensor 14. This sensor is part of the group which can be linked to LED9 and LED10.

Bit 6 - CS13 - Indicates that press was detected on Sensor 13. This sensor is part of the group which can be linked to LED9 and LED10.

Bit 5 - CS12 - Indicates that press was detected on Sensor 12. This sensor is part of the group which can be linked to LED9 and LED10.

Bit 4 - CS11 - Indicates that press was detected on Sensor 11. This sensor is part of the group which can be linked to LED9 and LED10.

Bit 3 - CS10 - Indicates that press was detected on Sensor 10. This sensor is part of the group which can be linked to LED9 and LED10.

Bit 2 - CS9 - Indicates that press was detected on Sensor 9. This sensor is part of the group which can be linked to LED9 and LED10.

Bit 1 - CS8 - Indicates that press was detected on Sensor 8. This sensor is part of the group which can be linked to LED9 and LED10.

Bit 0 - CS7 - Indicates that a press was detected on Sensor 7. This sensor can be linked to LED7.

5.3 Build Revision Register

Table 5.4 Firmware Revision Register

ADDR	R/W	REGISTER	B7	B6	B5	B4	B3	B2	B1	B0	DEFAULT
05h	R	Build Revision	0	0	0	0	0	0	0	0	10h

The Build Revision register indicates hardware defined settings that are used.

5.4 Slider Position / Volumetric Data Register

Table 5.5 Slider Position / Volumetric Data Register

ADDR	R/W	REGISTER	B7	B6	B5	B4	B3	B2	B1	B0	DEFAULT
06h	R-C / R/W	Slider Position / Volumetric Data	-	POS[6:0]						00h	

The Slider Position register indicates the absolute position of a Tap, Slide, or Press and Hold event detected on the Grouped sensors (slider). Alternately, the register stores volumetric data that increases or decreased based on detected operations on the Grouped sensors (slider).

Bits 6-0 - POS[6:0] - Indicate absolute position or volumetric data as determined by the POS_VOL bit (see [Section 5.13](#)).

5.4.1 Absolute Position

The absolute position of a single touch is available from this register. By interpolating information from up to 3 adjacent buttons, 16 different positions are calculated by the CAP9014 from the center of one button to the center of each adjacent button. The bits will encode a range from 2 to 98 indicative of where the touch occurred. [Table 5.6](#) shows an example of the settings assuming a single button is pressed.

If a slide is detected on the Grouped sensors, then the POS[6:0] bits will indicate the most recently touched sensor (i.e. where the slide ended) however will not indicate where the slide originated.

APPLICATION NOTE: The register will be cleared to a value of 00h when it is read. It will be set to a valid position when the next ALERT is generated. It will be updated at the respective repeat rate for a slide or press and hold event regardless of whether it has been read or not. Therefore, it will only show the position of the last touch detected at the time of the interrupt.

Table 5.6 Example Slider Absolute Position Decode

TOUCH POSITION	POS[6:0] SETTINGS
CS8	02h (2d)
CS9	12h (18d)
CS10	22h (34d)
CS11	32h (50d)

Table 5.6 Example Slider Absolute Position Decode

TOUCH POSITION	POS[6:0] SETTINGS
CS12	42h (68d)
CS13	52h (82d)
CS14	62h (98d)

5.4.2 Volumetric Data

If they are setup to present Volumetric Data (see [Section 5.13](#)) then the bits will encode a range from 0 to 100. This value is updated based on the Grouped sensor activity:

- A slide in the “UP” direction will increase the volumetric data by the Volumetric Step setting (see [Section 5.6](#)) whenever an interrupt is generated (including extra interrupts generated after the slide is complete).
- A slide in the “DOWN” direction will decrease the volumetric data by the Volumetric Step setting (see [Section 5.6](#)) whenever an interrupt is generated (including extra interrupts generated after the slide is complete).
- A tap (see [Section 4.5.1](#)) on the “UP” side will increase the volumetric data by a value of 1.
- A tap on the “DOWN” side will decrease the volumetric data by a value of 1.
- A press and hold (see [Section 4.5.2](#)) on the “UP” side will increase the volumetric data by a value of 1 at every repeat rate interval.
- A press and hold (see [Section 4.5.2](#)) on the “DOWN” side will decrease the volumetric data by a value of 1 at every repeat rate interval.

The bits are read / write.

5.5 Vendor ID Register

Table 5.7 Vendor ID Register

ADDR	R/W	REGISTER	B7	B6	B5	B4	B3	B2	B1	B0	DEFAULT
08h	R	Vendor ID	0	1	0	1	1	1	0	1	5Dh

The Vendor ID register stores an 8-bit value that represents SMSC.

5.6 Volumetric Step Register

Table 5.8 Volumetric Step Register

ADDR	R/W	REGISTER	B7	B6	B5	B4	B3	B2	B1	B0	DEFAULT
09h	R/W	Volumetric Step	-	-	-	-	VOL_STEP[3:0]				01h

The Volumetric Step register controls the size of a step to the volumetric data when a slide is detected in the UP and DOWN directions.

Bits 3 - 0 - VOL_STEP[3:0] - Determines the volumetric data step when a slide is detected. Each LSB corresponds to a value of ± 1 .

5.7 Noise Flag Status Registers

Table 5.9 Noise Flag Status Registers

ADDR	R/W	REGISTER	B7	B6	B5	B4	B3	B2	B1	B0	DEFAULT
0Ah	R	Noise Flag Status 1	-	S7_NO ISE	S6_N OISE	S5_NO ISE	S4_N OISE	S3_N OISE	S2_NO ISE	S1_N OISE	00h
0Bh	R	Noise Flag Status 2	-	S14_N OISE	S13_N OISE	S12_N OISE	S11_N OISE	S10_N OISE	S9_NO ISE	S8_N OISE	00h

The Noise Flag Status registers store status bits that are generated from the analog block if the detected noise is above the operating region of the analog detector. These bits indicate that the most recently received data from the sensor is invalid and should not be used for touch detection. Furthermore, so long as the bit is set for a particular channel, no decisions are made with the data. The queues are not updated, a touch is not detected, and a release is not detected.

These bits are not sticky and will be cleared automatically if the analog block does not report a noise error.

5.8 GPIO Status Register

Table 5.10 GPIO Status Register

ADDR	R/W	REGISTER	B7	B6	B5	B4	B3	B2	B1	B0	DEFAULT
0Eh	R-C	GPIO Status	GPIO8 _STS	GPIO7 _STS	GPIO6 _STS	GPIO5 _STS	GPIO4 _STS	GPIO3 _STS	GPIO2 _STS	GPIO1 _STS	00h

The GPIO Status register bits are set whenever one of the GPIO inputs changes states. If the LEDx / GPIOx pin is not configured as a GPIO or as an input, then the respective bit will be set to a logic '0'.

The bits are cleared when the register is read.

5.9 Group Status Register

Table 5.11 GPIO Status Register

ADDR	R/W	REGISTER	B7	B6	B5	B4	B3	B2	B1	B0	DEFAULT
0Fh	R-C	Group Status	-	MULT	-	-	UP	DOWN	TAP	PH	00h

The Group Status register indicates that one or more actions was detected on the Grouped sensors. The detectable actions are described in [Section 4.5](#).

Bit 6 - MULT - This bit is asserted if one or more touches are being blocked because greater than N buttons are simultaneously pressed.

Bit 3 - UP - Indicates that a slide was detected on increasing sensors (i.e. Sensor 1 -> Sensor 2 -> Sensor 3). This bit is also set if a touch (tap or press and hold event) is detected on the "Up" portion of the slider. If the Group auto-repeat is enabled, then the ALERT# pin will be periodically asserted while a slide or press and hold event is detected. This bit will be cleared when read and re-set when another interrupt is generated. This bit is cleared automatically if the DOWN bit is set.

Datasheet

Bit 2 - DOWN - Indicates that a slide was detected on decreasing sensors (i.e. Sensor 6 -> Sensor 5 -> Sensor 4). This bit is also set if a touch (tap or press and hold event) is detected on the “Down” portion of the slider. If the Group auto-repeat is enabled, then the ALERT# pin will be periodically asserted while a slide or press and hold event is detected. This bit will be cleared when read and re-set when another interrupt is generated. This bit is automatically cleared if the UP bit is set.

Bit 1 - TAP - Indicates that a tap was detected on one of the sensors within the Group. The relative position of the tap is indicated by the UP and DOWN bits so that a tap on the “UP” side of the group will assert the UP bit as well as the TAP bit. If the tap event is detected in the “center” of the slider that is neither “UP” nor “DOWN” then the bit will be set however no interrupt will be generated. This bit is sticky and will remain set until read.

Bit 0 - PH - Indicates that a press and hold event was detected on one of the sensors within the Group. the relative position of the press is indicated by the UP and DOWN bits so a touch and hold on the “UP” side of the group will assert the UP bit as well as the PH bit. If the press and hold event is detected in the “center” of the slider that is neither “UP” nor “DOWN” then the bit will be set however no interrupt will be generated. This bit is sticky and will remain set until read. If the condition is still present, then this bit will be re-set when the interrupt is generated.

5.10 Sensor Delta Count Registers

Table 5.12 Sensor Delta Count Registers

ADDR	R/W	REGISTER	B7	B6	B5	B4	B3	B2	B1	B0	DEFAULT
10h	R	Sensor 1 Delta Count	Sign	64	32	16	8	4	2	1	00h
11h	R	Sensor 2 Delta Count	Sign	64	32	16	8	4	2	1	00h
12h	R	Sensor 3 Delta Count	Sign	64	32	16	8	4	2	1	00h
13h	R	Sensor 4 Delta Count	Sign	64	32	16	8	4	2	1	00h
14h	R	Sensor 5 Delta Count	Sign	64	32	16	8	4	2	1	00h
15h	R	Sensor 6 Delta Count	Sign	64	32	16	8	4	2	1	00h
16h	R	Sensor 7 Delta Count	Sign	64	32	16	8	4	2	1	00h
17h	R	Sensor 8 Delta Count	Sign	64	32	16	8	4	2	1	00h
18h	R	Sensor 9 Delta Count	Sign	64	32	16	8	4	2	1	00h
19h	R	Sensor 10 Delta Count	Sign	64	32	16	8	4	2	1	00h
1Ah	R	Sensor 11 Delta Count	Sign	64	32	16	8	4	2	1	00h
1Bh	R	Sensor 12 Delta Count	Sign	64	32	16	8	4	2	1	00h
1Ch	R	Sensor 13 Delta Count	Sign	64	32	16	8	4	2	1	00h

Table 5.12 Sensor Delta Count Registers (continued)

ADDR	R/W	REGISTER	B7	B6	B5	B4	B3	B2	B1	B0	DEFAULT
1Dh	R	Sensor 14 Delta Count	Sign	64	32	16	8	4	2	1	00h

The Sensor Delta Count registers store the delta count that is compared against the threshold used to determine if a touch has been detected. The count value represents a change in input due to the capacitor associated with a touch on one of the sensors and is referenced to a calibrated base “Not touched” count value. The delta is an instantaneous change and is updated once per sensor per sensing cycle (see [Section 4.4.3](#) - sensor cycle).

The value presented is a standard 2’s complement number. In addition, the value is capped at a value of 7Fh. A reading of 7Fh indicates that the sensitivity settings are too high and should be adjusted accordingly (see [Section 5.12](#)).

The value is also capped at a negative value of FFh for negative delta counts which may result upon a release.

5.11 Queue Control Register

Table 5.13 Queue Control Register

ADDR	R/W	REGISTER	B7	B6	B5	B4	B3	B2	B1	B0	DEFAULT
1Eh	R/W	Button Queue Control	-	-	-	-	-	QUEUE_B[2:0]			03h

The Queue Control register determines the number of consecutive samples for which a single sensor output is above the Sensor Threshold before a touch is detected. This is also used to determine the number of consecutive samples used to detect a button release. The queue applies independently to all channels.

Bits 2 - 0 - QUEUE_B[2:0] - The number of consecutive samples necessary to detect a touch. Default is 3 consecutive samples. See [Table 5.14](#).

Table 5.14 QUEUE_B Bit Decode

QUEUE_B[3:0]			NUMBER OF CONSECUTIVE READINGS > THRESHOLD
2	1	0	
0	0	0	1
0	0	1	1
0	1	0	2
0	1	1	3
1	0	0	4
1	0	1	5
1	1	0	6
1	1	1	7

5.12 Data Sensitivity Register

Table 5.15 Data Scaling Register

ADDR	R/W	REGISTER	B7	B6	B5	B4	B3	B2	B1	B0	DEFAULT
1Fh	R/W	Data Sensitivity	-	D_DSP[2:0]			C_DSP[3:0]			2Fh	

The Data Sensitivity register controls the sensitivity of a touch detection.

Bits 6- 4 D_DSP[2:0] - Controls the sensitivity of a touch detection. The sensitivity settings act to scale the relative delta count value higher or lower based on the system parameters. A setting of 0000b is the most sensitive while a setting of 1111b is the least sensitive. At the more sensitive settings, touches are detected for a smaller delta C corresponding to a “lighter” touch. These settings are more sensitive to noise however and a noisy environment may flag more false touches than higher sensitivity levels.

APPLICATION NOTE: A value of 128x is the most sensitive setting available. At the most sensitive settings, the MSB of the Delta Count register represents 64 out of ~25,000 which corresponds to a touch of approximately 0.25% of the base capacitance (or a ΔC of 25fF from a 10pF base capacitance). Conversely a value of 1x is the least sensitive setting available. At these settings, the MSB of the Delta Count register corresponds to a delta count of 8192 counts out of ~25,000 which corresponds to a touch of approximately 33% of the base capacitance (or a ΔC of 3.33pF from a 10pF base capacitance).

Table 5.16 D_DSP Bit Decode

D_DSP[2:0]			SENSITIVITY MULTIPLIER
2	1	0	
0	0	0	128x (most sensitive)
0	0	1	64x
0	1	0	32x (default)
0	1	1	16x
1	0	0	8x
1	0	1	4x
1	1	0	2x
1	1	1	1x - (least sensitive)

Bits 3 - 0 - C_DSP[3:0] - Controls the scaling and data presentation of the Base Count registers. The higher the value of these bits, the larger the range and the lower the resolution of the data presented. The scale factor represents the multiplier to the bit-weighting presented in these register descriptions.

APPLICATION NOTE: The C_DSP[3:0] bits normally do not need to be updated. These settings will not affect touch detection or sensitivity. These bits are sometimes helpful in analyzing the Cap Sensing board performance and stability.

Table 5.17 C_DSP Bit Decode

C_DSP[3:0]				DATA SCALING FACTOR
3	2	1	0	
0	0	0	0	1x
0	0	0	1	2x
0	0	1	0	4x
0	0	1	1	8x
0	1	0	0	16x
0	1	0	1	32x
0	1	1	0	64x
0	1	1	1	128x
1	0	0	0	256x
All others				256x (default = 1111b)

5.13 Configuration Register

Table 5.18 Configuration Register

ADDR	R/W	REGISTER	B7	B6	B5	B4	B3	B2	B1	B0	DEFAULT
20h	R/W	Configuration	TIME OUT	POS_VOL	BLK NOIS E_TH	BLK NOISE _DIS	MAX_DUR_ EN_B	RPT_E N_B	MAX_DUR_ EN_G	RPT_ EN_G	2Dh

The Configuration register controls general global functionality that affects the entire device.

Bit 7 - TIMEOUT - Enables the timeout and idle functionality of the SMBus protocol.

- '0' (default) - The SMBus timeout and idle functionality are disabled. The SMBus interface will not time out if the clock line is held low. Likewise, it will not reset if both the data and clock lines are held high for longer than 150us. This is used for I²C compliance.
- '1' - The SMBus timeout and idle functionality are enabled. The SMBus interface will time out if the clock line is held low for longer than 30ms. Likewise, it will reset if both the data and clock lines are held high for longer than 150us.

Bit 6 - POS_VOL - Determines the behavior of the POS[6:0] status bits when a Grouped sensor is activated - see [Section 5.4](#).

- '0' (default) - The POS[6:0] bits represent position information that indicates which sensor was touched or the last sensor touched during a slide.
- '1' - The POS[6:0] bits represent volumetric data. The Position / Volumetric Data register is read / write.

Bit 5 - BLK_NOISE_TH - Determines whether the noise threshold is checked when determining whether to discard samples.

Datasheet

- '0' - The noise threshold is enabled and checked. If a sample is above the noise threshold, it is not included in the re-calibration routine.
- '1' (default) - The noise threshold is disabled. No samples are excluded from the re-calibration routine.

Bit 4 - BLK_NOISE_DIS - Determines whether the noise flag setting will block a touch detection as well as the analog calibration routine.

- '0' (default) - If the analog noise bit is set, then a touch is blocked on the corresponding channel and will force the analog calibration routine to retry.
- '1' - A touch is not blocked even if the analog noise bit is set. Likewise, the analog calibration routine will not retry if the analog noise bit is set.

Bit 3 - MAX_DUR_EN_B - Determines whether the maximum duration recalibration is enabled for non-grouped sensors.

- '0' - The maximum duration recalibration functionality is disabled. A press may be held indefinitely and no re-calibration will be performed on any button.
- '1' (default) - The maximum duration recalibration functionality is enabled. If a press is held for longer than the MAX_DUR_B bit settings, then the re-calibration routine will be restarted (see [Section 5.15](#)).

APPLICATION NOTE: If the RPT_EN_B bit is updated while a touch is present on a button, then no changes will be made to the interrupts until that button has been released.

Bit 2 - RPT_EN_B - Determines the interrupt mechanism used when a press is detected on a non-grouped sensor (button)

- '0' - An interrupt will be generated when a touch is detected and again when a release is detected.
- '1' (default) - An interrupt will be generated when a touch is detected and at the programmed repeat rate so long as the button is pressed.

Bit 1 - MAX_DUR_EN_G - Determines whether the maximum duration recalibration is enabled for grouped sensors.

- '0' (default) - The maximum duration recalibration functionality is disabled. A press may be held indefinitely and no re-calibration will be performed on any button.
- '1' - The maximum duration recalibration functionality is enabled. If a press is held for longer than the MAX_DUR_G bit settings, then the re-calibration routine will be restarted (see [Section 5.17](#)).

Bit 0 - RPT_EN_G - Determines the interrupt mechanism used when a Press and Hold event is detected on a grouped sensor

- '0' (default) - An interrupt will be generated when a Press and Hold event is detected.
- '1' - An interrupt will be generated when a Press and Hold event is detected and at the programmed repeat rate so long as the sensor is pressed.

5.14 Sensor Enable Registers

Table 5.19 Sensor Enable Registers

ADDR	R/W	REGISTER	B7	B6	B5	B4	B3	B2	B1	B0	DEFAULT
21h	R/W	Sensor Enable	G_EN	S7_EN	S6_EN	S5_EN	S4_EN	S3_EN	S2_EN	S1_EN	FFh

The Sensor Enable registers determine whether a Capacitive Touch Sensor input is included in the sampling cycle. The length of the sampling cycle is not affected by the number of sensors measured.

Bit 7 - G_EN - Enables all Capacitive Touch Sensors that are grouped to be included during the sampling cycle.

- '0' - None of the The grouped sensors are included in the sampling cycle.
- '1' (default) - All of the grouped sensors are included in the sampling cycle.

Bit 6 - S7_EN - Enables the CS7 input to be included during the sampling cycle.

- '0' - The CS7 input is not included in the sampling cycle.
- '1' - The CS7 input is included in the sampling cycle.

Bit 5 - S6_EN - Enables the CS6 input to be included during the sampling cycle.

Bit 4 - S5_EN - Enables the CS5 input to be included during the sampling cycle.

Bit 3 - S4_EN - Enables the CS4 input to be included during the sampling cycle.

Bit 2 - S3_EN - Enables the CS3 input to be included during the sampling cycle.

Bit 1 - S2_EN - Enables the CS2 input to be included during the sampling cycle.

Bit 0 - S1_EN - Enables the CS1 input to be included during the sampling cycle.

5.15 Button Configuration Register

Table 5.20 Button Configuration Register

ADDR	R/W	REGISTER	B7	B6	B5	B4	B3	B2	B1	B0	DEFAULT
22h	R/W	Button Configuration	MAX_DUR_B[3:0]				RPT_RATE_B[3:0]				A4h

The Button Configuration Register controls timings associated with the Capacitive Sensor channels 1 - 7 that are not Grouped.

Bits 7 - 4 - MAX_DUR_B [3:0] - (default 1010b) - Determines the maximum time that a button is allowed to be pressed until the Capacitive Touch sensor is recalibrated as shown in [Table 5.21](#).

Table 5.21 MAX_DUR_B and MAX_DUR_G Bit Decode

MAX_DUR_B[3:0] AND MAX_DUR_G[3:0]				TIME BEFORE RECALIBRATION
3	2	1	0	
0	0	0	0	560ms
0	0	0	1	840ms
0	0	1	0	1120ms
0	0	1	1	1400ms
0	1	0	0	1680ms
0	1	0	1	2240ms
0	1	1	0	2800ms
0	1	1	1	3360ms
1	0	0	0	3920ms
1	0	0	1	4480ms
1	0	1	0	5600ms
1	0	1	1	6720ms
1	1	0	0	7840ms
1	1	0	1	8906ms
1	1	1	0	10080ms
1	1	1	1	11200ms

Bits 3 - 0 - RPT_RATE_B[3:0] - (default 0100b) Determines the time duration between interrupt assertions when auto repeat is enabled. The resolution is 35ms the range is from 35ms to 560ms as shown in [Table 5.22](#).

Table 5.22 RPT_RATE_B / SL / PH and M_PRESS Bit Decode

RPT_RATE_B / RPT_RATE_SL / RPT_RATE_PH / M_PRESS[3:0]				INTERRUPT REPEAT RATE OR M_PRESS TIME
3	2	1	0	
0	0	0	0	35ms
0	0	0	1	70ms
0	0	1	0	105ms
0	0	1	1	140ms
0	1	0	0	175ms
0	1	0	1	210ms
0	1	1	0	245ms

Table 5.22 RPT_RATE_B / SL / PH and M_PRESS Bit Decode (continued)

RPT_RATE_B / RPT_RATE_SL / RPT_RATE_PH / M_PRESS[3:0]				INTERRUPT REPEAT RATE OR M_PRESS TIME
3	2	1	0	
0	1	1	1	280ms
1	0	0	0	315ms
1	0	0	1	350ms
1	0	1	0	385ms
1	0	1	1	420ms
1	1	0	0	455ms
1	1	0	1	490ms
1	1	1	0	525ms
1	1	1	1	560ms

5.16 Group Configuration Register 1

Table 5.23 Group Configuration Register 1

ADDR	R/W	REGISTER	B7	B6	B5	B4	B3	B2	B1	B0	DEFAULT
23h	R/W	Group Configuration 1	RPT_RATE_PH[3:0]				M_PRESS[3:0]				47h

Bits 7-4 - RPT_RATE_PH[3:0] - (default 0100b) Determines the time duration between interrupt assertions when auto repeat is enabled. This setting applies when a press and hold condition is detected on the on the Grouped Sensors (see [Section 4.5.2](#)). The resolution is 35ms the range is from 35ms to 560ms as shown in [Table 5.22](#).

Bits 3- 0 - M_PRESS[3:0] - (default 0111b) - Determines the minimum amount of time that a sensor in the Group must detect a button press to detect a Press and Hold event. If the sensor detects a touch for longer than the M_PRESS[3:0] settings, then a Press and Hold event is detected. This has no affect on whether a slide is detected within the group. If a slide is detected before or after the press has been confirmed, it is treated as a separate event.

This is the maximum amount of time that a sensor in the Group can detect a button press to differentiate between a tap and a press and hold. If a sensor detects a touch for less than or equal to the M_PRESS[3:0] settings then, a Tap event is detected.

The resolution is 35ms the range is from 35ms to 560ms as shown in [Table 5.22](#).

5.17 Group Configuration Register 2

Table 5.24 Group Configuration Register 2

ADDR	R/W	REGISTER	B7	B6	B5	B4	B3	B2	B1	B0	DEFAULT
24h	R/W	Group Configuration 2	MAX_DUR_G[3:0]				RPT_RATE_SL[3:0]				D4h

Datasheet

The Group Configuration 2 register controls timings associated with the Capacitive Sensor channels 8 - 14 that are included in the group.

Bits 7 - 4 - MAX_DUR_G [3:0] - (default 1101b) - Determines the maximum time that a button is allowed to be pressed until the Capacitive Touch sensor is recalibrated as shown in [Table 5.21](#).

Bits 3 - 0 - RPT_RATE_SL[3:0] - (default 0100b) Determines the time duration between interrupt assertions when auto repeat is enabled. This setting applies when a slide is detected on the Grouped Sensors and acts as the base repeat rate that is adjusted based on the slide speed (see [Section 4.5.3](#)). The resolution is 35ms the range is from 35ms to 560ms as shown in [Table 5.22](#).

5.18 Calibration Enable Registers

Table 5.25 Calibration Enable Registers

ADDR	R/W	REGISTER	B7	B6	B5	B4	B3	B2	B1	B0	DEFAULT
25h	R/W	Calibration Enable	G_CEN	S7_CEN	S6_CEN	S5_CEN	S4_CEN	S3_CEN	S2_CEN	S1_CEN	FFh

The Calibration Enable registers control whether the indicated Capacitive Touch Sensor input is automatically re-calibrated. If a sensor is not enabled then the corresponding calibration enable bit is ignored.

Bit 7- G_CEN - Enables all sensors in the group to be re-calibrated simultaneously.

- '0' - None of the grouped channels are automatically re-calibrated. They can be re-calibrated manually by setting the G_CAL bit.
- '1' (default) - All of the grouped channels are automatically re-calibrated as the CAP1014 samples.

Bit 6 - S7_CEN - Enables the CS7 input to be re-calibrated automatically.

- '0' - The CS7 input is not automatically re-calibrated.
- '1' (default) - The CS7 input is automatically re-calibrated as the CAP1014 samples.

Bit 5 - S6_CEN - Enables the CS6 input to be re-calibrated automatically.

Bit 4 - S5_CEN - Enables the CS5 input to be re-calibrated automatically.

Bit 3 - S4_CEN - Enables the CS4 input to be re-calibrated automatically.

Bit 2 - S3_CEN - Enables the CS3 input to be re-calibrated automatically.

Bit 1 - S2_CEN - Enables the CS2 input to be re-calibrated automatically.

Bit 0 - S1_CEN - Enables the CS1 input to be re-calibrated automatically.

5.19 Calibration Activate Registers

Table 5.26 Calibration Activate Registers

ADDR	R/W	REGISTER	B7	B6	B5	B4	B3	B2	B1	B0	DEFAULT
26h	R/W	Calibration Activate	G_CAL	S7_CAL	S6_CAL	S5_CAL	S4_CAL	S3_CAL	S2_CAL	S1_CAL	00h

The Calibration Activate register force the respective sensors to be re-calibrated. When a bit is set, the corresponding Capacitive Touch Sensor will be re-calibrated and the bit will be automatically

cleared once the re-calibration routine has finished. During the re-calibration routine, the sensors will not detect a press for up to 600ms and the Sensor Base Count register values will be invalid. During this time, any press on the corresponding sensors will invalidate the re-calibration.

Bit 7 - G_CAL - When set, all sensors in the group are re-calibrated. This bit is automatically cleared once all of the sensors in the group have been re-calibrated successfully.

Bit 6 - S7_CAL - When set, the CS7 input is re-calibrated. This bit is automatically cleared once the sensor has been re-calibrated successfully.

Bit 5 - S6_CAL - When set, the CS6 input is re-calibrated. This bit is automatically cleared once the sensor has been re-calibrated successfully.

Bit 4 - S5_CAL - When set, the CS5 input is re-calibrated. This bit is automatically cleared once the sensor has been re-calibrated successfully.

Bit 3 - S4_CAL - When set, the CS4 input is re-calibrated. This bit is automatically cleared once the sensor has been re-calibrated successfully.

Bit 2 - S3_CAL - When set, the CS3 input is re-calibrated. This bit is automatically cleared once the sensor has been re-calibrated successfully.

Bit 1 - S2_CAL - When set, the CS2 input is re-calibrated. This bit is automatically cleared once the sensor has been re-calibrated successfully.

Bit 0 - S1_CAL - When set, the CS1 input is re-calibrated. This bit is automatically cleared once the sensor has been re-calibrated successfully.

5.20 Interrupt Enable Registers

Table 5.27 Interrupt Enable Registers

ADDR	R/W	REGISTER	B7	B6	B5	B4	B3	B2	B1	B0	DEFAULT
27h	R/W	Interrupt Enable 1	G_INT_EN	S7_INT_EN	S6_INT_EN	S5_INT_EN	S4_INT_EN	S3_INT_EN	S2_INT_EN	S1_INT_EN	FFh
28h	R/W	Interrupt Enable 2	GPIO8_INT_EN	GPIO7_INT_EN	GPIO6_INT_EN	GPIO5_INT_EN	GPIO4_INT_EN	GPIO3_INT_EN	GPIO2_INT_EN	GPIO1_INT_EN	00h

The Interrupt Enable registers determine whether a button press or GPIO input changing state causes the interrupt pin to be asserted.

5.20.1 Interrupt Enable 1

Bit 7 - G_INT_EN - Enables the interrupt pin to be asserted if a slide, tap, or press and hold action is detected on the grouped sensors.

- '0' - The interrupt pin will not be asserted if a slide, tap, or press and hold action is detected on the grouped sensors (associated with the UP, DOWN, TAP, and PH status bits).
- '1' (default) - The interrupt pin will asserted if a slide, tap, or press and hold event is detected on the grouped sensors (associated with the UP, DOWN, TAP, and PH status bits).

Bit 6 - S7_INT_EN - Enables the interrupt pin to be asserted if a touch is detected on CS7 (associated with the CS7 status bit).

- '0' - The interrupt pin will not be asserted if a touch is detected on CS7 (associated with the CS7 status bit).



Datasheet

- '1' (default) - The interrupt pin will be asserted is detected on CS7 (associated with the CS7 status bit).

Bit 5 - S6_INT_EN - Enables the interrupt pin to be asserted if a touch is detected on CS6 (associated with the CS6 status bit).

Bit 4 - S5_INT_EN - Enables the interrupt pin to be asserted if a touch is detected on CS5 (associated with the CS5 status bit).

Bit 3 - S4_INT_EN - Enables the interrupt pin to be asserted if a touch is detected on CS4 (associated with the CS4 status bit).

Bit 2 - S3_INT_EN - Enables the interrupt pin to be asserted if a touch is detected on CS3 (associated with the CS3 status bit).

Bit 1 - S2_INT_EN - Enables the interrupt pin to be asserted if a touch is detected on CS2 (associated with the CS2 status bit).

Bit 0 - S1_INT_EN - Enables the interrupt pin to be asserted if a touch is detected on CS1 (associated with the CS1 status bit).

5.20.2 Interrupt Enable 2

These bits enable the interrupt pin to be asserted when the GPIOx status bit has been set.

Bit 7 - GPIO8_INT_EN - Enables the interrupt pin to be asserted if the GPIO8 status bit has been set.

- '0' - The interrupt pin will not be asserted if the GPIO8 status bit has been set.
- '1' (default) - The interrupt pin will be asserted if the GPIO8 status bit has been set.

Bit 6 - GPIO7_INT_EN - Enables the interrupt pin to be asserted if the GPIO7 status bit has been set.

Bit 5 - GPIO6_INT_EN - Enables the interrupt pin to be asserted if the GPIO6 status bit has been set.

Bit 4 - GPIO5_INT_EN - Enables the interrupt pin to be asserted if the GPIO5 status bit has been set.

Bit 3 - GPIO4_INT_EN - Enables the interrupt pin to be asserted if the GPIO4 status bit has been set.

Bit 2 - GPIO3_INT_EN - Enables the interrupt pin to be asserted if the GPIO3 status bit has been set.

Bit 1 - GPIO2_INT_EN - Enables the interrupt pin to be asserted if the GPIO2 status bit has been set.

Bit 0 - GPIO1_INT_EN - Enables the interrupt pin to be asserted if the GPIO1 status bit has been set.

5.21 Sleep Channel Control Register

Table 5.28 Sleep Channel Control

ADDR	R/W	REGISTER	B7	B6	B5	B4	B3	B2	B1	B0	DEFAULT
29h	R/W	Sleep Channel Control	GR_S LEEP	S7_SL EEP	S6_S LEEP	S5_S LEEP	S4_S LEEP	S3_S LEEP	S2_S LEEP	S1_S LEEP	00h

The Sleep Channel control register determine which sensors are sampled when the device is placed into sleep mode.

APPLICATION NOTE: If this register is updated while the device is in Sleep Mode, then the conversion cycle may be extended or for the first measurement of the new Capacitive Touch Sensors. It will correct itself on subsequent measurement cycles.

APPLICATION NOTE: If this register is updated while the device is in Sleep Mode, it is recommended that force a recalibration routine on newly activated channels.

Bit 7 - GR_SLEEP - Enables the Grouped sensors to be sampled when the device is placed into sleep mode.

- '0' (default) - The Grouped Sensors are not sampled when the device is in Sleep mode
- '1' - The Grouped Sensors are sampled when the device is in Sleep mode. If a tap, slide, or touch and hold is detected then the appropriate status bit is set and an interrupt generated.

Bit 6 - S7_SLEEP - Enables the CS7 sensor to be sampled when the device is placed into sleep mode.

- '0' (default) - The CS7 input is not sampled when the device is in Sleep mode
- '1' - The CS7 input is sampled when the device is in Sleep mode. If a touch is detected then the status bit is set and an interrupt generated.

Bit 5 - S6_SLEEP - Enables the CS6 sensor to be sampled when the device is placed into sleep mode.

Bit 4 - S5_SLEEP - Enables the CS5 sensor to be sampled when the device is placed into sleep mode.

Bit 3 - S4_SLEEP - Enables the CS4 sensor to be sampled when the device is placed into sleep mode.

Bit 2 - S3_SLEEP - Enables the CS3 sensor to be sampled when the device is placed into sleep mode.

Bit 1 - S2_SLEEP - Enables the CS2 sensor to be sampled when the device is placed into sleep mode.

Bit 0 - S1_SLEEP - Enables the CS1 sensor to be sampled when the device is placed into sleep mode.

5.22 Multiple Touch Configuration Register

Table 5.29 Multiple Touch Configuration

ADDR	R/W	REGISTER	B7	B6	B5	B4	B3	B2	B1	B0	DEFAULT
2Ah	R/W	Multiple Touch Config	MULT_EN	-	-	-	B_MULT_T[1:0]		G_MULT_T[1:0]		82h

The Multiple Touch Configuration register controls the settings for the multiple touch detection circuitry. These settings determine the sensitivity of this detection and the CAP1014 device behavior.

Bit 7 - MULT_EN - Enables the multiple touch circuitry.

- '0' - The multiple touch circuitry is disabled. The device will not block multiple touches.
- '1' (default)- The multiple touch circuitry is enabled. The device will accept the number of touches equal to programmed multiple touch threshold and block all others. It will remember which sensor is valid and block all others until that sensor has been released.

Bits 3 - 2 - B_MULT_T[1:0] - Determines the number of simultaneous touches on all buttons (excluding the Grouped buttons) before a Multiple Touch Event is flagged. If the number of multiple buttons touches is greater than the threshold value then a Multiple Touch Event is flagged. The bit decode is given by [Table 5.30](#).

Table 5.30 B_MULT_T Bit Decode

B_MULT_T[1:0]		NUMBER OF SIMULTANEOUS TOUCHES
1	0	
0	0	1 (default)
0	1	2
1	0	3
1	1	4

Bits 1 - 0 - G_MULT_T[1:0] - Determines the number of simultaneous touches on all Grouped buttons before a Multiple Touch Event is flagged. If the number of multiple buttons touches is greater than the threshold value then a Multiple Touch Event is flagged. The bit decode is given by [Table 5.31](#).

Table 5.31 G_MULT_T Bit Decode

G_MULT_T[1:0]		NUMBER OF SIMULTANEOUS TOUCHES
1	0	
0	0	2
0	1	3
1	0	4 (default)
1	1	5

5.23 Recalibration Configuration Register

Table 5.32 Recalibration Configuration Registers

ADDR	R/W	REGISTER	B7	B6	B5	B4	B3	B2	B1	B0	DEFAULT
2Fh	R/W	Recalibration Configuration	BUT_LD_TH	GP_LD_TH	-	ACAL_RT[1:0]		CAL_CFG[2:0]			93h

The Recalibration Configuration register controls the automatic re-calibration routine settings as well as advanced controls to program the Sensor Threshold register settings.

Bit 7 - BUT_LD_TH - Enables setting all button Sensor Threshold registers by writing to the Sensor 1 Threshold register.

- '0' - Each Sensor X Threshold register is updated individually.
- '1' (default) - Writing the Sensor 1 Threshold register will automatically overwrite the Sensor Threshold registers for all buttons (Sensor Threshold 1 through Sensor Threshold 7). The individual Sensor X Threshold registers (Sensor 2 Threshold through Sensor 7 Threshold) can be individually updated at any time.

Bit 6 - GP_LD_TH - Enables setting the Group Threshold register by writing to the Sensor 1 Threshold register.

- '0' (default) - The Group Threshold register is updated independently of the Sensor 1 Threshold register.
- '1' - Writing the Sensor 1 Threshold register automatically overwrites the Group Threshold register settings.

Bits 4-3 - ACAL_RT[1:0] - Determines the number of retries the digital logic will perform on the analog calibration routine before it accepts the previous setting.

Table 5.33 ACAL_RT[1:0] Bit Decode

ACAL_RT[1:0]		ANALOG CALIBRATION RETRIES
1	0	
0	0	Infinite
0	1	1
1	0	3 (default)
1	1	7

Bits 2 - 0 - CAL_CFG[2:0] - Determines the update time and number of samples of the automatic re-calibration routine. The settings applies to all sensors universally (though individual sensors and the group can be configured to support re-calibration - see [Section 5.18](#)).

Table 5.34 CAL_CFG Bit Decode

CAL_CFG[2:0]			RECALIBRATION SAMPLES (SEE Note 5.1)	UPDATE TIME (SEE Note 5.2)
2	1	0		
0	0	0	16	16
0	0	1	32	32
0	1	0	64	64
0	1	1	256	256 (default)
1	0	0	256	1024
1	0	1	256	2048
1	1	0	256	4096
1	1	1	256	7936

Note 5.1 Recalibration Samples refers to the number of samples that are measured and averaged before the Base Count is updated.

Note 5.2 Update Time refers to the amount of time (in polling cycle periods) that elapses before the Base Count is updated.

5.24 Sensor Threshold Registers

Table 5.35 Sensor Threshold Registers

ADDR	R/W	REGISTER	B7	B6	B5	B4	B3	B2	B1	B0	DEFAULT
30h	R/W	Sensor 1 Threshold	-	64	32	16	8	4	2	1	40h
31h	R/W	Sensor 2 Threshold	-	64	32	16	8	4	2	1	40h
32h	R/W	Sensor 3 Threshold	-	64	32	16	8	4	2	1	40h
33h	R/W	Sensor 4 Threshold	-	64	32	16	8	4	2	1	40h
34h	R/W	Sensor 5 Threshold	-	64	32	16	8	4	2	1	40h
35h	R/W	Sensor 6 Threshold	-	64	32	16	8	4	2	1	40h
36h	R/W	Sensor 7 Threshold	-	64	32	16	8	4	2	1	40h
37h	R/W	Group Threshold	-	64	32	16	8	4	2	1	40h

The Sensor Threshold registers store the delta threshold that is used to determine if a touch has been detected. When a touch occurs, the input signal of the corresponding sensor changes due to the capacitance associated with a touch. If the sensor input change exceeds the threshold settings, then a touch is detected.

When the BUT_LD_TH bit is set (see [Section 5.23](#) - bit 7), writing data to the Sensor 1 Threshold register will update all of the button threshold registers (31h - 36h inclusive).

When the GP_LD_TH bit is set (see [Section 5.23](#) - bit 6), writing data to the Sensor 1 Threshold register (30h) will update the Group Threshold register (37h). Individual button registers may be updated independently of the Sensor 1 Threshold settings.

5.25 Button Noise Threshold Registers

Table 5.36 Button Noise Threshold Registers

ADDR	R/W	REGISTER	B7	B6	B5	B4	B3	B2	B1	B0	DEFAULT
38h	R/W	Button Noise Threshold 1	CS4_BN_TH [1:0]		CS3_BN_TH [1:0]		CS2_BN_TH [1:0]		CS1_BN_TH [1:0]		55h
39h	R/W	Button Noise Threshold 2	GR_BN_TH [1:0]		CS7_BN_TH [1:0]		CS6_BN_TH [1:0]		CS5_BN_TH [1:0]		55h

The Button Noise Threshold registers control the value of a secondary internal threshold to detect noise and improve the automatic recalibration routine. If a Capacitive Touch Sensor output exceeds the Button Noise Threshold but does not exceed the sensor threshold, then it is determined to be caused by a noise spike. That sample is not used by the automatic re-calibration routine.

The Button Noise Threshold is proportional to the programmed threshold as shown in [Table 5.37](#).

Table 5.37 CSx_BN_TH Bit Decode

CSX_BN_TH[1:0]		THRESHOLD DIVIDE SETTING
1	0	
0	0	6.25%
0	1	12.5% (default)
1	0	25%
1	1	50%

5.25.1 Button Noise Threshold 1 Register

The Button Noise Threshold 1 register controls the noise threshold for Capacitive Touch Sensors 1-4.

Bits 7-6 - CH4_BN_TH[1:0] - Controls the noise threshold for Capacitive Touch Sensor 4.

Bits 5-4 - CH3_BN_TH[1:0] - Controls the noise threshold for Capacitive Touch Sensor 3.

Bits 3-2 - CH2_BN_TH[1:0] - Controls the noise threshold for Capacitive Touch Sensor 2.

Bits 1-0 - CH1_BN_TH[1:0] - Controls the noise threshold for Capacitive Touch Sensor 1.

5.25.2 Button Noise Threshold 2 Register

The Button Noise Threshold 2 register controls the noise threshold for Capacitive Touch Sensors 5 - 7 and the Grouped sensors.

Bits 7-6 - GR_BN_TH[1:0] - Controls the noise threshold for all grouped Capacitive Touch Sensors.

Bits 5-4 - CH7_BN_TH[1:0] - Controls the noise threshold for Capacitive Touch Sensor 7.

Bits 3-2 - CH6_BN_TH[1:0] - Controls the noise threshold for Capacitive Touch Sensor 6.

Bits 1-0 - CH5_BN_TH[1:0] - Controls the noise threshold for Capacitive Touch Sensor 5.

5.26 Slider Velocity Configuration Register

Table 5.38 Slider Velocity Configuration Register

ADDR	R/W	REGISTER	B7	B6	B5	B4	B3	B2	B1	B0	DEFAULT
3Eh	R/W	Slider Velocity Configuration	ACC_INT_EN	MAX_INT[2:0]		SLIDE_TIME [1:0]		RPT_SCALE [1:0]			C5h

The Slider Velocity Configuration Register also controls the speed sensitive behaviors of the slider, allowing the number of interrupts to be increased as the slide speed increases

Bit 7 - ACC_INT_EN - Enables the device to generate extra interrupts after an accelerated slide has been detected.

Datasheet

- '0' - The device will not generate extra interrupts during or after the slide has been detected.
- '1' (default) - The device will generate extra interrupts after an accelerated slide is detected. The number of extra interrupts generated will be proportional to the speed of the accelerated slide but will not exceed the maximum number of extra interrupts as determined by the MAX_INT bits.

Bits 6-4 - MAX_INT[2:0] - (default 100b) Determine the maximum number of extra interrupts that will be generated after a single slide (regardless of length). The variable "T" is the actual slide time and the parameter SLIDE_TIME is set by bits [3:2] of this register.

Table 5.39 MAX_INT Bit decode

MAX_INT[2:0]			MAX # INTERRUPTS	# INTERRUPTS FOR T < 1/2 SLIDE_TIME	# INTERRUPTS FOR 1/2 < T < 3/4 SLIDE_TIME	# INTERRUPTS FOR 3/4 < T < FULL SLIDE_TIME
2	1	0				
0	0	0	0	0	0	0
0	0	1	1	1	0	0
0	1	0	2	2	1	0
0	1	1	3	3	1	0
1	0	0	4	4	2	1
1	0	1	5	5	2	1
1	1	0	6	6	3	1
1	1	1	7	7	3	1

Bits 3-2 - SLIDE_TIME[1:0] - (default 01b) - Determines how fast a slide must be to generate extra interrupts. This is the maximum slide time that will result in extra interrupts being generated. If the slide time is greater than SLIDE_TIME, no extra interrupts will be generated.

Table 5.40 SLIDE_TIME Bit Decode

SLIDE_TIME[1:0]		APPROXIMATE SLIDE TIME (MSEC)
1	0	
0	0	350
0	1	560 (default)
1	0	770
1	1	980

Bits 1 - 0 - RPT_SCALE[1:0] - (default 01b) - Determines how much to increase the Repeat Rate based on slide speed. The slide speed is determined by counting how many sensors are touched in approximately 100msec. The Repeat Rate is then increased various amounts based on the RPT_SCALE parameter.

When read in [Table 5.41](#), the repeat rate given is the number of measurement cycles between interrupts generated.

Table 5.41 RPT_SCALE Bit Decode

NUMBER OF SENSORS IN 100MSEC	REPEAT RATE (MSEC) RPT_SCALE[1:0]			
	00	01	10	11
>=5	35	35	35	35
4	35	35	35	70
3	35	35	70	105
2	35	70	105	140
1	RPT_RATE_SL			

Note 5.3 If the repeat rate for the slider is set at 105msec or lower, then the 11b case will use the fixed values of 140, 105 and 70msec, respectively.

5.27 Sensor Base Count Registers

Table 5.42 Sensor Base Count Registers

ADDR	R/W	REGISTER	B7	B6	B5	B4	B3	B2	B1	B0	DEFAULT
50h	R	Sensor 1 Base Count	128	64	32	16	8	4	2	1	00h
51h	R	Sensor 2 Base Count	128	64	32	16	8	4	2	1	00h
52h	R	Sensor 3 Base Count	128	64	32	16	8	4	2	1	00h
53h	R	Sensor 4 Base Count	128	64	32	16	8	4	2	1	00h
54h	R	Sensor 5 Base Count	128	64	32	16	8	4	2	1	00h
55h	R	Sensor 6 Base Count	128	64	32	16	8	4	2	1	00h
56h	R	Sensor 7 Base Count	128	64	32	16	8	4	2	1	00h
57h	R	Sensor 8 Base Count	128	64	32	16	8	4	2	1	00h
58h	R	Sensor 9 Base Count	128	64	32	16	8	4	2	1	00h
59h	R	Sensor 10 Base Count	128	64	32	16	8	4	2	1	00h
5Ah	R	Sensor 11 Base Count	128	64	32	16	8	4	2	1	00h

Table 5.42 Sensor Base Count Registers (continued)

ADDR	R/W	REGISTER	B7	B6	B5	B4	B3	B2	B1	B0	DEFAULT
5Bh	R	Sensor 12 Base Count	128	64	32	16	8	4	2	1	00h
5Ch	R	Sensor 13 Base Count	128	64	32	16	8	4	2	1	00h
5Dh	R	Sensor 14 Base Count	128	64	32	16	8	4	2	1	00h

The Sensor Base Count registers store the calibrated “Not Touched” input value from the Capacitive Touch Sensor inputs. These registers are periodically updated by the re-calibration routine.

The routine uses an internal adder to add the current count value for each reading to the sum of the previous readings until sample size has been reached. At this point, the upper 16 bits are taken and used as the Sensor Base Count. The internal adder is then reset and the re-calibration routine continues.

The data presented is determined by the C_DSP bits (see [Section 5.12](#)).

5.28 LED / GPIO Direction Registers

Table 5.43 LED / GPIO Direction Registers

ADDR	R/W	REGISTER	B7	B6	B5	B4	B3	B2	B1	B0	DEFAULT
70h	R/W	LED / GPIO Direction	LED8_DIR	LED7_DIR	LED6_DIR	LED5_DIR	LED4_DIR	LED3_DIR	LED2_DIR	LED1_DIR	00h

The LED / GPIO Direction registers control the data flow direction for the LED / GPIO pins. Each pin is controlled by a single bit.

Bit 7 - LED8_DIR - Controls the direction of the LED8 / GPIO8 pin.

- '0' (default) - The LED8 / GPIO8 pin is configured as an input and cannot be used to drive an LED.
- '1' - The LED8 / GPIO8 pin is configured as an output.

Bit 6 - LED7_DIR - Controls the direction of the LED7 / GPIO7 pin.

Bit 5 - LED6_DIR - Controls the direction of the LED6 / GPIO6 pin.

Bit 4 - LED5_DIR - Controls the direction of the LED5 / GPIO5 pin.

Bit 3 - LED4_DIR - Controls the direction of the LED4 / GPIO4 pin.

Bit 2 - LED3_DIR - Controls the direction of the LED3 / GPIO3 pin.

Bit 1 - LED2_DIR - Controls the direction of the LED2 / GPIO2 pin.

Bit 0 - LED1_DIR - Controls the direction of the LED1 / GPIO1 pin.

5.29 LED / GPIO Output Type Registers

Table 5.44 LED / GPIO Output Type Registers

ADDR	R/W	REGISTER	B7	B6	B5	B4	B3	B2	B1	B0	DEFAULT
71h	R/W	LED / GPIO Output Type 1	LED8_OT	LED8_OT	LED6_OT	LED5_OT	LED4_OT	LED3_OT	LED2_OT	LED1_OT	00h

The LED / GPIO Output Type registers control the type of output for the LEDx / GPIOx pins that are configured to operate as outputs. Each pin is controlled by a single bit.

- '0' (default) - The LEDx / GPIOx pin is an open-drain output with an external pull-up resistor. When the appropriate pin is set to the “active” state (logic '1') then the pin will be driven low. Conversely, when the pin is set to the “inactive” state (logic '0'), then the pin will be left in a High Z state and pulled high via an external pull-up resistor.
- '1' - The LEDx / GPIOx pin is a push-pull output. When driving a logic '1' the pin is driven high. When driving a logic '0' the pin is driven low.

5.30 GPIO Input Register

Table 5.45 GPIO Input Register

ADDR	R/W	REGISTER	B7	B6	B5	B4	B3	B2	B1	B0	DEFAULT
72h	R	GPIO Input	GPIO 8	GPIO 7	GPIO 6	GPIO 5	GPIO 4	GPIO 3	GPIO 2	GPIO 1	00h

The GPIO Input registers reflect the state of the LEDx / GPIOx pins. These bits are updated whenever the pin state changes regardless of the operation of the pin. If a LEDx / GPIOx pin is configured as an input, then when a pin changes states, the GPIOx_STS bit is set. If the corresponding interrupt enable bit is also set, then an interrupt will be asserted.

5.31 LED Output Control Registers

Table 5.46 LED Output Control Registers

ADDR	R/W	REGISTER	B7	B6	B5	B4	B3	B2	B1	B0	DEFAULT
73h	R/W	LED Output Control 1	LED8_DR	LED7_DR	LED6_DR	LED5_DR	LED4_DR	LED3_DR	LED2_DR	LED1_DR	00h
74h	R/W	LED Output Control 2						LED11_DR	LED10_DR	LED9_DR	00h

The LED Output Control Registers control the output state of the LED pins when they are configured as outputs. For all LED outputs, the “active” state is with the output driven low and the disabled state is with the output in a high Z state (or driven high). These bits are OR'd with the individual control bits defined in the LED Control Register (see [Section 5.31](#)).

All LED's that are associated with a Capacitive Touch Sensor channel are automatically enabled and will be actuated per the LED Behavior (if enabled as outputs - see [Section 5.28](#)).

Datasheet

For those LEDs that are associated with a dual-color LED outputs, then the inactive state indicates that the LED connected between the drive pin and ground will be on. Likewise, the active state indicates that the LED connected between VDD and the drive in will be on.

For those LEDs that are not linked with a Capacitive Touch Sensor channel, then the bit state determines whether the LED is active (or breathing - see [Section 5.34](#)) or inactive.

5.31.1 LED Output Control 1

Bit 7 - LED8_DR - Determines whether the LED8 output is driven high or low. This LED cannot be linked to a Capacitive Touch Sensor.

- '0' (default) - The LED8 output is driven low.
- '1' - The LED8 output is High Z or driven high.

Bit 6 - LED7_DR - Determines whether LED7 output is driven high or low.

- '0' (default) - The LED7 output is driven low.
- '1' - The LED7 output is High Z or driven high.

Bit 5 - LED6_DR - Determines whether LED6 output is driven high or low.

Bit 4 - LED5_DR - Determines whether LED5 output is driven high or low.

Bit 3 - LED4_DR - Determines whether LED4 output is driven high or low.

Bit 2 - LED3_DR - Determines whether LED3 output is driven high or low.

Bit 1 - LED2_DR - Determines whether LED2 output is driven high or low.

Bit 0 - LED1_DR - Determines whether LED1 output is driven high or low.

5.31.2 LED Output Control 2

Bit 2 - LED11_DR - Determines whether LED11 is active or not. This LED cannot be linked to a Capacitive Touch Sensor.

- '0' (default) - The LED11 output is in High Z and LED will be inactive.
- '1' - The LED11 output is driven low and the LED will be active.

Bit 1 - LED10_DR - Determines whether LED10 is active or not. If this LED is linked to the Group of sensors, then LED9 is automatically linked to the Group if sensors.

- '0' (default) - The LED10 output is in High Z and LED will be inactive. If linked to the Group of Capacitive Touch sensors, then it will remain inactive when actuated.
- '1' - The LED10 output is driven low and the LED will be active. If linked to Group of Capacitive Touch sensors, it will be in High-Z until it is actuated. At this point it will be driven low and the LED will be active.

Bit 0 - LED9_DR - Determines whether LED9 is active or not.

- '0' (default) - The LED9 output is in High Z and LED will be inactive. If linked to the Group of Capacitive Touch sensors, then it will remain inactive when actuated.
- '1' - The LED9 output is driven low and the LED will be active. If linked to Group of Capacitive Touch sensors, it will be in High-Z until it is actuated. At this point it will be driven low and the LED will be active.

5.32 LED Polarity Registers

Table 5.47 LED Polarity Registers

ADDR	R/W	REGISTER	B7	B6	B5	B4	B3	B2	B1	B0	DEFAULT
75h	R/W	LED Polarity 1	LED8_POL	LED7_POL	LED6_POL	LED5_POL	LED4_POL	LED3_POL	LED2_POL	LED1_POL	00h
76h	R/W	LED Polarity 2	-	-	-	-	-	LED11_POL	LED10_POL	LED9_POL	00h

The LED Polarity registers control the logical polarity of the LED outputs.

5.32.1 LED Polarity 1

Bit 7 - LED8_POL - Determines the polarity of the LED8 output.

- '0' - The LED8 output is inverted. A setting of '1' in the LED 8 Output register will cause the output to be driven to a logic '0' as determined by the LED behavior. Similarly, the duty cycles corresponding to Pulse 1, Pulse 2, and Breathe operations will indicate the amount of time that the LED is driven to a logic '0' state (corresponding to "active").
- '1' - The LED8 output is direct. A setting of '1' in the LED 8 Output register will cause the output to be driven to a logic '1' or left in the high-z state as determined by its output type and LED behavior. Similarly, the duty cycles corresponding to Pulse 1, Pulse 2, and Breathe operations will indicate to the amount of time that the LED is driven to a logic '1' state (corresponding to "inactive").

Bit 6 - LED7_POL - Determines the polarity of the LED7 output.

Bit 5 - LED6_POL - Determines the polarity of the LED6 output.

Bit 4 - LED5_POL - Determines the polarity of the LED5 output.

Bit 3 - LED4_POL - Determines the polarity of the LED4 output.

Bit 2 - LED3_POL - Determines the polarity of the LED3 output.

Bit 1 - LED2_POL - Determines the polarity of the LED2 output.

Bit 0 - LED1_POL - Determines the polarity of the LED1 output.

5.32.2 LED Polarity 2

Bit 2 - LED11_POL - Determines the polarity of the LED11 output.

- '0' (default) - The LED11 output is inverted. A setting of '1' in the LED 11 Output register will cause the output to be driven to a logic '0' as determined by the LED behavior. Similarly, the duty cycles corresponding to Pulse 1, Pulse 2, and Breathe operations will indicate the amount of time that the LED is driven to a logic '0' state (corresponding to "active").
- '1' - The LED11 output is direct. A setting of '1' in the LED 11 Output register will cause the output to be driven to a logic '1' or left in the high-z state as determined by its output type and LED behavior. Similarly, the duty cycles corresponding to Pulse 1, Pulse 2, and Breathe operations will indicate to the amount of time that the LED is driven to a logic '1' state (corresponding to "inactive").

Bit 1 - LED10_POL - Determines the polarity of the LED10 output.

Bit 0 - LED9_POL - Determines the polarity of the LED9 output.

5.33 Sensor LED Linking Registers

Table 5.48 Sensor LED Linking Registers

ADDR	R/W	REGISTER	B7	B6	B5	B4	B3	B2	B1	B0	DEFAULT
80h	R/W	Sensor LED Linking	UP_D OWNL LINK	CS7_L ED7	CS6_L ED6	CS5_ LED5	CS4_ LED4	CS3_ LED3	CS2_ LED2	CS1_ LED1	00h

The Sensor LED Linking registers control whether a Capacitive Touch Sensor is linked to an LED output or not. If the corresponding bit is set, then the appropriate LED output will change states defined by the LED Behavior controls (see [Section 5.34](#)) in response to the Capacitive Touch sensor.

If the LED channel is configured as an input, then the corresponding Sensor LED Linking bit is ignored.

Bit 7 - UP_DOWN_LINK - Links the LED10 output to a detected UP condition on the group including a slide in the “up” direction, a tap on the “up” side of the group or a press and hold condition on the “up” side of the group. The LED10 driver will be actuated and will behave as determined by the LED10_CTL bits. This bit also links the LED9 output to a detected DOWN condition on the group including a slide in the “down” direction, a tap on the “down” side of the group or a press and hold condition on the “down” side of the group. The LED9 driver will be actuated and will behave as determined by the LED9_CTL bits.

LED9 and LED10 will not be active simultaneously. If LED9 is actuated by detecting a slide, tap, or press and hold event, LED10 will be inactive. Likewise, if LED10 is actuated by detecting a slide, tap, or press and hold event, LED9 will be inactive.

Bit 6 - CS7_LED7 - Links the LED7 output to a detected touch on the CS7 sensor. When a touch is detected, the LED is actuated and will behave as determined by the LED Behavior controls.

- ‘0’ - The LED7 output is not associated with a the CS7 input. If a touch is detected on the CS7 input, then the LED will not automatically be actuated. The LED is enabled and controlled via the LED Output Configuration register (see [Section 5.31](#)) and the LED Behavior registers (see [Section 5.34](#)).
- ‘1’ - The LED 7 output is associated with the CS7 in put. If a touch is detected on the CS7 input then the LED will be actuated and behave as defined in [Table 5.50](#). Furthermore, the LED will automatically be enabled.

Bit 5 - CS6_LED6 - Links the LED6 output to a detected touch on the CS6 sensor. When a touch is detected, the LED is actuated and will behave as determined by the LED Behavior controls.

Bit 4 - CS5_LED5 - Links the LED5 output to a detected touch on the CS5 sensor. When a touch is detected, the LED is actuated and will behave as determined by the LED Behavior controls.

Bit 4 - CS4_LED4 - Links the LED4 output to a detected touch on the CS4 sensor. When a touch is detected, the LED is actuated and will behave as determined by the LED Behavior controls.

Bit 2 - CS3_LED3 - Links the LED3 output to a detected touch on the CS3 sensor. When a touch is detected, the LED is actuated and will behave as determined by the LED Behavior controls.

Bit 1 - CS2_LED2 - Links the LED2 output to a detected touch on the CS2 sensor. When a touch is detected, the LED is actuated and will behave as determined by the LED Behavior controls.

Bit 0 - CS1_LED1 - Links the LED1 output to a detected touch on the CS1 sensor. When a touch is detected, the LED is actuated and will behave as determined by the LED Behavior controls.

5.34 LED Behavior Registers

Table 5.49 LED Behavior Registers

ADDR	R/W	REGISTER	B7	B6	B5	B4	B3	B2	B1	B0	DEFAULT
81h	R/W	LED Behavior 1	LED4_CTL[1:0]		LED3_CTL[1:0]		LED2_CTL[1:0]		LED1_CTL[1:0]		00h
82h	R/W	LED Behavior 2	LED8_CTL[1:0]		LED7_CTL[1:0]		LED6_CTL[1:0]		LED5_CTL[1:0]		00h
83h	R/W	LED Behavior 3	LED11_ALT[1:0]		LED11_CTL[1:0]		LED10_CTL[1:0]		LED9_CTL[1:0]		00h

The LED Behavior registers control the operation of LEDs. Each LEDx / GPIOx pin is controlled by a 2-bit field. If the LEDx / GPIOx pin is configured as an input, then these bits are ignored.

If the corresponding LED output is linked to a Capacitive Touch Sensor than the Start and Stop triggers are used. The defined behavior will activate when the Start Trigger is met and will stop when the Stop Trigger is met. See [Table 5.50](#) and note the behavior of the Breathe Hold and Pulse Release option.

If the LED output is not associated with a a Capacitive Touch Sensor, then two available options are Direct and Breathe. In this case, the Start and Stop triggers are ignored and the output of the LED is activated exclusively by the bit state of the control signals.

5.34.1 LED Behavior 1 - 81h

Bits 7 - 6 - LED4_CTL[1:0] - Determines the behavior of LED4 / GPIO4 when configured to operate as an LED output

Bits 5 - 4 - LED3_CTL[1:0] - Determines the behavior of LED3 / GPIO3 when configured to operate as an LED output

Bits 3 - 2 - LED2_CTL[1:0] - Determines the behavior of LED2 / GPIO2 when configured to operate as an LED output

Bits 1 - 0 - LED1_CTL[1:0] - Determines the behavior of LED1 / GPIO1 when configured to operate as an LED output

5.34.2 LED Behavior 2 - 82h

Bits 7 - 6 - LED8_CTL[1:0] - Determines the behavior of LED8 / GPIO8 when configured to operate as an LED output

Bits 5 - 4 - LED7_CTL[1:0] - Determines the behavior of LED7 / GPIO7 when configured to operate as an LED output

Bits 3 - 2 - LED6_CTL[1:0] - Determines the behavior of LED6 / GPIO6 when configured to operate as an LED output

Bits 1 - 0 - LED5_CTL[1:0] - Determines the behavior of LED5 / GPIO5 when configured to operate as an LED output

5.34.3 LED Behavior 3 - 83h

Bits 7 - 6 - LED11_ALT[1:0] - Determines the behavior of LED 11 when the PWR_LED bit is set and either the SLEEP or DSLEEP bits are set (see [Section 5.1](#)).

Bits 5 - 4 - LED11_CTL[1:0] - Determines the behavior of LED11 when the PWR_LED bit is set and both the SLEEP and DSLEEP bits are not set (see [Section 5.1](#)).

Datasheet

Bits 3 - 2 - LED10_CTL[1:0] - Determines the behavior of LED10.

Bits 1 - 0 - LED9_CTL[1:0] - Determines the behavior of LED9.

APPLICATION NOTE: When driving the LED / GPIOx output as a GPO, the LEDx_CTL[1:0] bits should be set to 00b.

Table 5.50 LEDx_CTL Bit Decode

LEDX_CTL [1:0]		OPERATION - LINKED WITH SENSOR	OPERATION - NOT LINKED WITH SENSOR	DESCRIPTION	START TRIGGER	STOP TRIGGER
1	0					
0	0	Direct	Direct	The LED is driven to the programmed state (active or inactive).	Press Detected	Release Detected
0	1	Pulse Press (Pulse 1)	Direct	The LED will breathe 5 times starting based on the Start Trigger). The total period of each "breath" is determined by the LED Pulse 1 Period controls - see Section 5.35	Press Detected	n/a
1	0	Breathe Hold + Pulse Release (Pulse 2)	Breathe	The LED will breathe continuously while the corresponding sensor detects a press. When the sensor detects a release, it will breathe 5 additional times and then stop. The total period of each "breath" is determined by the LED Pulse 2 Period controls - see Section 5.36 .	Press Detected	Release Detected
1	1	Breathe	Breathe	The LED will breathe. It will be driven with a duty cycle that ramps up from the programmed minimum duty cycle (default 0%) to the programmed maximum duty cycle duty cycle and then back down. Each ramp takes up 50% of the programmed period. The total period of each "breath" is determined by the LED Breathe Period controls - see Section 5.37 .	Press Detected	Release Detected

APPLICATION NOTE: The PWM frequency is determined based on the selected LED behavior, the programmed breathe period, and the programmed min and max duty cycles. For the Direct Mode, the PWM frequency is calculated based on the programmed Rise and Fall times. If these area set at 0, then the maximum PWM frequency will be used based on the programmed duty cycle settings.

5.35 LED Pulse 1 Period Register

Table 5.51 LED Behavior Registers

ADDR	R/W	REGISTER	B7	B6	B5	B4	B3	B2	B1	B0	DEFAULT
84h	R/W	LED Pulse 1 Period	-	P1_P ER6	P1_P ER5	P1_P ER4	P1_P ER3	P1_P ER2	P1_P ER1	P1_P ER0	20h

The LED Pulse 1 Period register determines the overall period of a pulse operation as determined by the LED_CTL registers (see [Table 5.50](#) - setting 01b). Each LSB represents 32ms so that a setting of 14h (20d) would represent a period of 640ms. The total range is from 32ms to 4.06 seconds as shown in [Table 5.52](#).

The Pulse 1 operation is shown in [Figure 5.1](#).

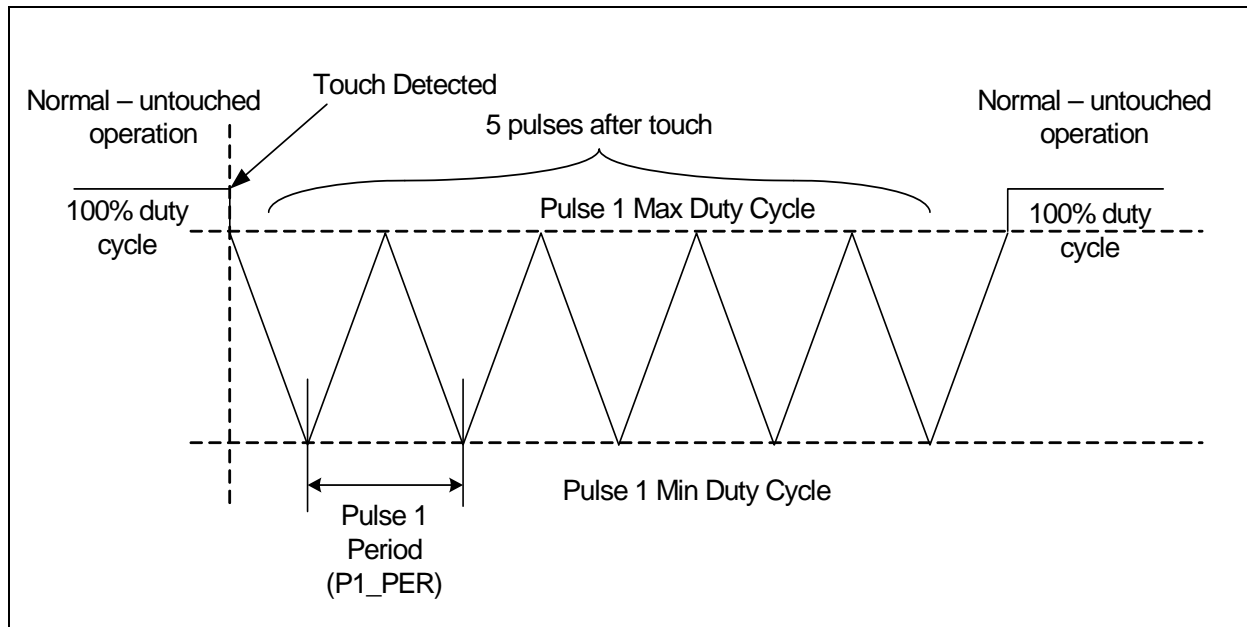


Figure 5.1 Pulse 1 Behavior

Table 5.52 LED Pulse / Breathe Period Example

SETTING (HEX)	SETTING (DECIMAL)	TOTAL BREATHE / PULSE PERIOD (MS)
00h	0	32
01h	1	32
02h	2	64
03h	3	96
04h	4	128
...
7Ch	124	3,968
7Dh	125	4,000
7Eh	126	4,032
7Fh	127	4,064

5.36 LED Pulse 2 Period Register

Table 5.53 LED Behavior Registers

ADDR	R/W	REGISTER	B7	B6	B5	B4	B3	B2	B1	B0	DEFAULT
85h	R/W	LED Pulse 2 Period	-	P2_P ER6	P2_P ER5	P2_P ER4	P2_P ER3	P2_P ER2	P2_P ER1	P2_P ER0	14h

The LED Pulse 2 Period register determines the overall period of a pulse operation as determined by the LED_CTL registers (see [Table 5.50](#) - setting 10b). Each LSB represents 32ms so that a setting of 14h (20d) would represent a period of 640ms. The total range is from 32ms to 4.06 seconds (see [Table 5.52](#)).

The Pulse 2 Behavior is shown in [Figure 5.2](#).

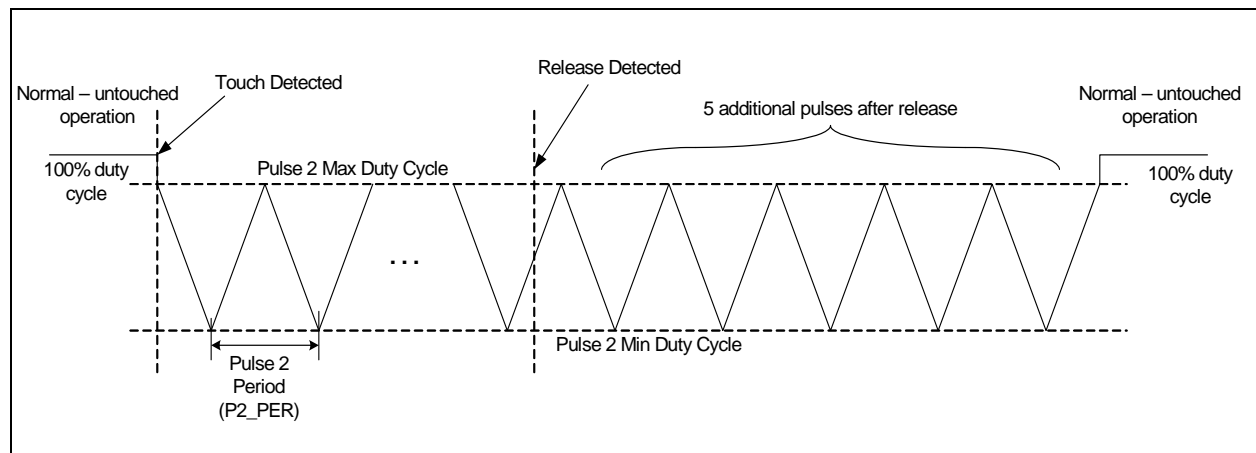


Figure 5.2 Pulse 2 Behavior

5.37 LED Breathe Period Register

Table 5.54 LED Behavior Registers

ADDR	R/W	REGISTER	B7	B6	B5	B4	B3	B2	B1	B0	DEFAULT
86h	R/W	LED Breathe Period	-	BR_P ER6	BR_P ER5	BR_P ER4	BR_P ER3	BR_P ER2	BR_P ER1	BR_P ER0	5Dh

The LED Breathe Period register determines the overall period of a breathe operation as determined by the LED_CTL registers (see [Table 5.50](#) - setting 11b). Each LSB represents 32ms so that a setting of 14h (20d) would represent a period of 640ms. The total range is from 32ms to 4.06 seconds (see [Table 5.52](#)).

5.38 LED Pulse Configuration Register

Table 5.55 LED Configuration Registers

ADDR	R/W	REGISTER	B7	B6	B5	B4	B3	B2	B1	B0	DEFAULT
88h	R/W	LED Pulse Config	-	-	PULSE2_CNT[2:0]			PULSE1_CNT[2:0]			24h

The LED Pulse Configuration register controls the number of pulses that are sent for the Pulse 1 and Pulse 2 LED output behaviors.

Bits 5 - 3 - PULSE2_CNT[2:0] - Determines the number of pulses used for the Pulse 2 behavior as shown in [Table 5.56](#). The default is 100b

Bits 2 - 0 - PULSE1_CNT[2:0] - Determines the number of pulses used for the Pulse 1 behavior as shown in [Table 5.56](#).

Table 5.56 PULSE_CNT Decode

PULSEX_CNT[2:0]			NUMBER OF BREATHS
2	1	0	
0	0	0	1
0	0	1	2
0	1	0	3
0	1	1	4
1	0	0	5 (default)
1	0	1	6
1	1	0	7
1	1	1	8

5.39 LED Pulse and Breathe Duty Cycle Registers

Table 5.57 LED Period and Duty Cycle Registers

ADDR	R/W	REGISTER	B7	B6	B5	B4	B3	B2	B1	B0	DEFAULT
90h	R/W	LED Pulse 1 Duty Cycle	LED_P1_MAX_DUTY[3:0]				LED_P1_MIN_DUTY[3:0]				F0h
91h	R/W	LED Pulse 2 Duty cycle	LED_P2_MAX_DUTY[3:0]				LED_P2_MIN_DUTY[3:0]				F0h
92h	R/W	LED Pulse 3 Duty Cycle	LED_BR_MAX_DUTY[3:0]				LED_BR_MIN_DUTY[3:0]				F0h
93h	R/W	Direct Duty Cycle	LED_DR_MAX_DUTY[3:0]				LED_DR_MIN_DUTY[3:0]				F0h

Datasheet

The LED Pulse and Breathe Duty Cycle registers determine the minimum and maximum duty cycle settings used for the LED for each LED behavior. These settings affect the brightness of the LED when it is fully off and fully on.

The LED driver duty cycle will ramp up from the minimum duty cycle (see [Section 5.39](#)) to the maximum duty cycle and back down again.

APPLICATION NOTE: Changes to the Duty Cycle settings will be applied immediately. When the respective register is written, the LED output will be reset to the minimum (or maximum) setting and restarted at the updated settings.

APPLICATION NOTE: Upon power on reset (or upon release of the RESET pin), the first breath will breathe from 100% (or 0% duty cycle as determined by the polarity registers) to the programmed minimum (or maximum as determined by the polarity registers) and then proceed normally.

Bits 7 - 4 - LED_X_MAX_DUTY[3:0] - Determines the maximum PWM duty cycle for the LED drivers as shown in [Table 5.58](#)

Bits 3 - 0 - LED_X_MIN_DUTY[3:0] - Determines the minimum PWM duty cycle for the LED drivers as shown in [Table 5.58](#).

Table 5.58 LED Duty Cycle Decode

LED_X_MAX/MIN_DUTY [3:0]				DUTY CYCLE
3	2	1	0	
0	0	0	0	0%
0	0	0	1	12.5%
0	0	1	0	18.75%
0	1	1	1	25.0%
0	1	0	0	31.25%
0	1	0	1	37.5%
0	1	1	0	43.75%
0	1	1	1	50.0%
1	0	0	0	56.25%
1	0	0	1	62.5%
1	0	1	0	68.75%
1	0	1	1	75.0%
1	1	0	0	81.25%
1	1	0	1	87.5%
1	1	1	0	93.75%
1	1	1	1	100%

5.40 LED Direct Ramp Rates Register

Table 5.59 LED Direct Ramp Rates Register

ADDR	R/W	REGISTER	B7	B6	B5	B4	B3	B2	B1	B0	DEFAULT
94h	R/W	LED Direct Ramp Rates	-	-	RISE_RATE[2:0]			FALL_RATE[2:0]			00h

The LED Direct Ramp Rates register control the rising and falling edge time of an LED that is configured to operate in Direct mode and is linked to a Capacitive Touch sensor. The rising edge time corresponds to the amount of time the LED takes to transition from its minimum duty cycle to its maximum duty cycle. Conversely, the falling edge time corresponds to the amount of time that the LED takes to transition from its maximum duty cycle to its minimum duty cycle.

Bits 5 - 3 - RISE_RATE[2:0] - Determines the rising edge time of an LED when it transitions from its minimum drive state to its maximum drive state as shown in [Table 5.60](#).

Bits 2 - 0 - FALL_RATE[2:0] - Determines the falling edge time of an LED when it transitions from its maximum drive state to its minimum drive state as shown in [Table 5.60](#).

Table 5.60 Rise / Fall Rate Cycle Decode

RISE/FALL_RATE [2:0]			RISE / FALL TIME (T _{RISE} / T _{FALL})
2	1	0	
0	0	0	0
0	0	1	250ms
0	1	0	500ms
1	1	1	750ms
1	0	0	1s
1	0	1	1.25s
1	1	0	1.5s
1	1	1	2s

5.41 LED Off Delay Register

Table 5.61 LED Off Delay Register

ADDR	R/W	REGISTER	B7	B6	B5	B4	B3	B2	B1	B0	DEFAULT
95h	R/W	LED Off Delay Register	-	-		-	-	DIR_OFF_DLY [2:0]			00h

The LED Off Delay register determines the amount of time an LED in direct mode remains active after it is no longer actuated (such as after a release has been detected or the drive state has been changed). This register is only used if the LED is linked to a Capacitive Touch sensor.

Datasheet

Bits 2 - 0 - DIR_OFF_DLY[2:0] - Determines the turn-off delay for all LEDs that are configured to operate in Direct Mode as shown in [Table 5.62](#).

Table 5.62 Off Delay Settings

DIR_OFF_DLY [2:0]			OFF DELAY T_{OFF_DLY}
2	1	0	
0	0	0	0
0	0	1	0.5s
0	1	0	1.0s
0	1	1	1.5s
1	0	0	2.0s
1	0	1	3.0s
1	1	0	4.0s
1	1	1	5.0s

The Direct Mode operation is shown determined by the combination of programmed Rise Time, Fall Time, and Off Delay as shown in [Figure 5.3](#).

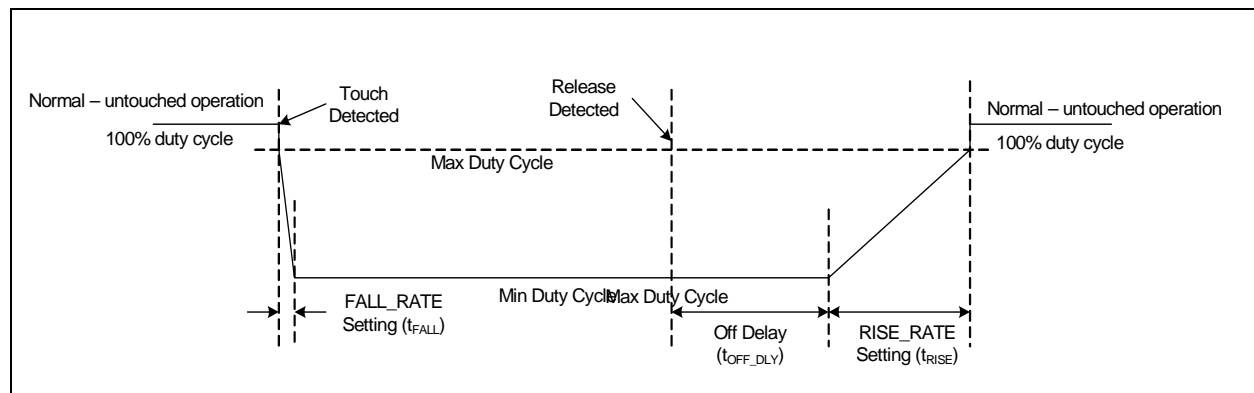


Figure 5.3 Direct Mode Behavior

These OTP bits are incremented any time the OTP bits are changed once devices are shipped to HP.

5.42 Product ID Register

Table 5.63 Product ID Register

ADDR	R/W	REGISTER	B7	B6	B5	B4	B3	B2	B1	B0	DEFAULT
FDh	R	Product ID	0	0	1	0	1	1	0	1	2Dh

The Product ID register stores a unique 8-bit value that identifies the device.

5.43 Revision Register

Table 5.64 Revision Register

ADDR	R/W	REGISTER	B7	B6	B5	B4	B3	B2	B1	B0	DEFAULT
FFh	R	Revision	1	0	0	0	0	0	0	1	81h

The Revision register stores an 8-bit value that represents the part revision.

Note: Rev 00h was an engineering build and not released. Revision 81h is the first released version of the device, Functional Revision A.

Chapter 6 Package Information

6.1 Package Drawing

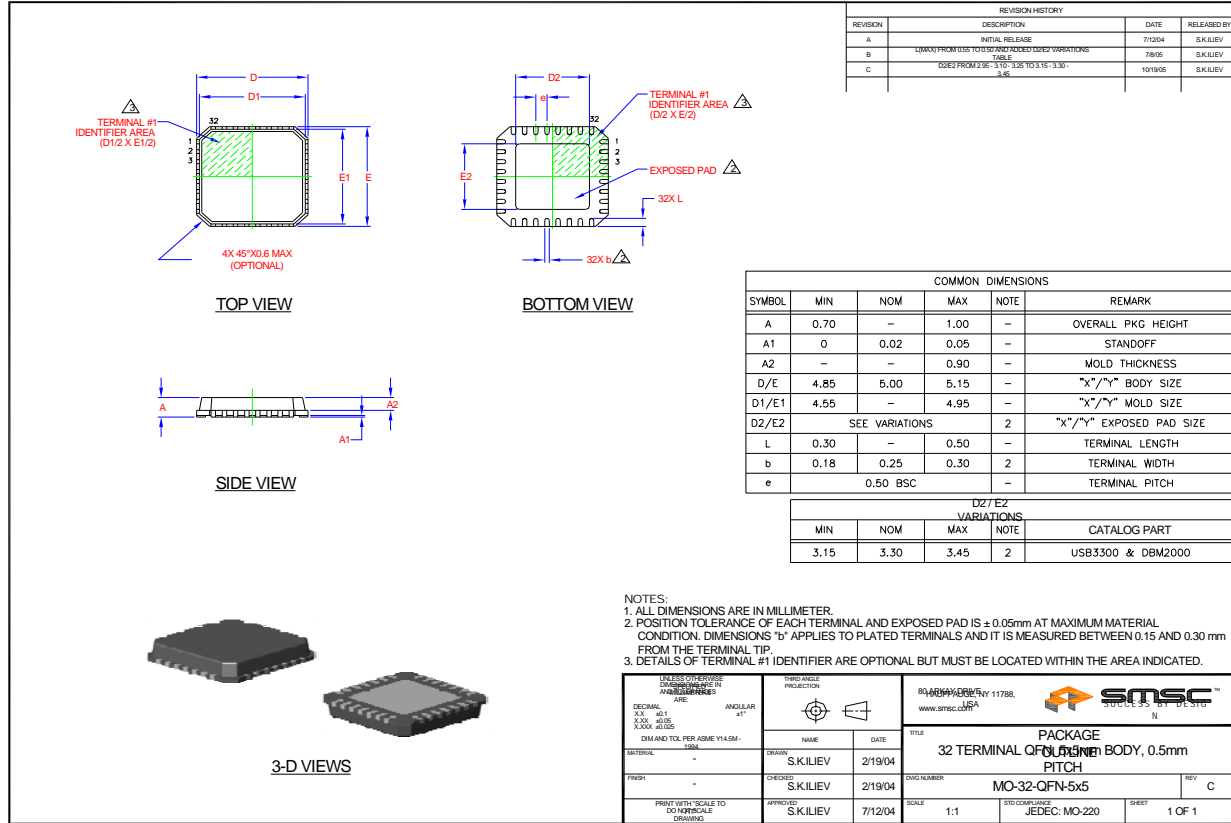


Figure 6.1 Package Diagram - 32 Pin QFN

6.2 Package Marking

All packages will be marked as shown in Figure 6.2.

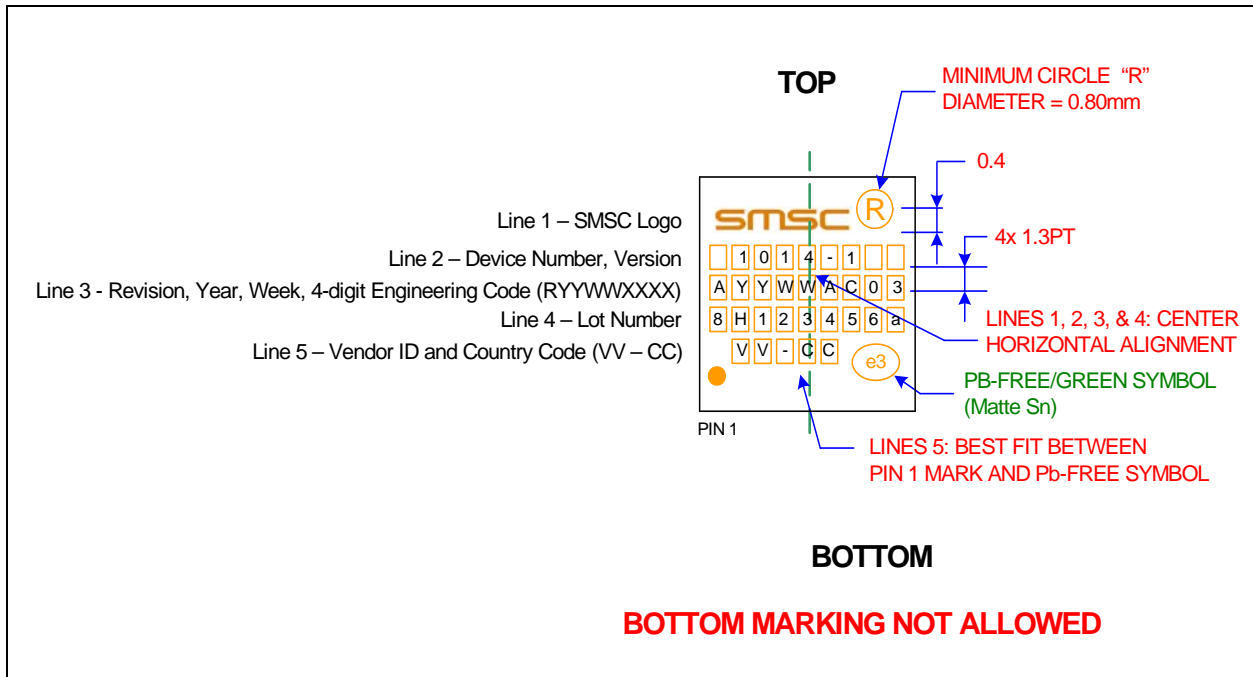


Figure 6.2 Package Markings

Chapter 7 Revision History

Table 7.1 Customer Revision History

REVISION LEVEL & DATE	SECTION/FIGURE/ENTRY	CORRECTION
Rev. 1.64 (01-15-09)	Initial Release	