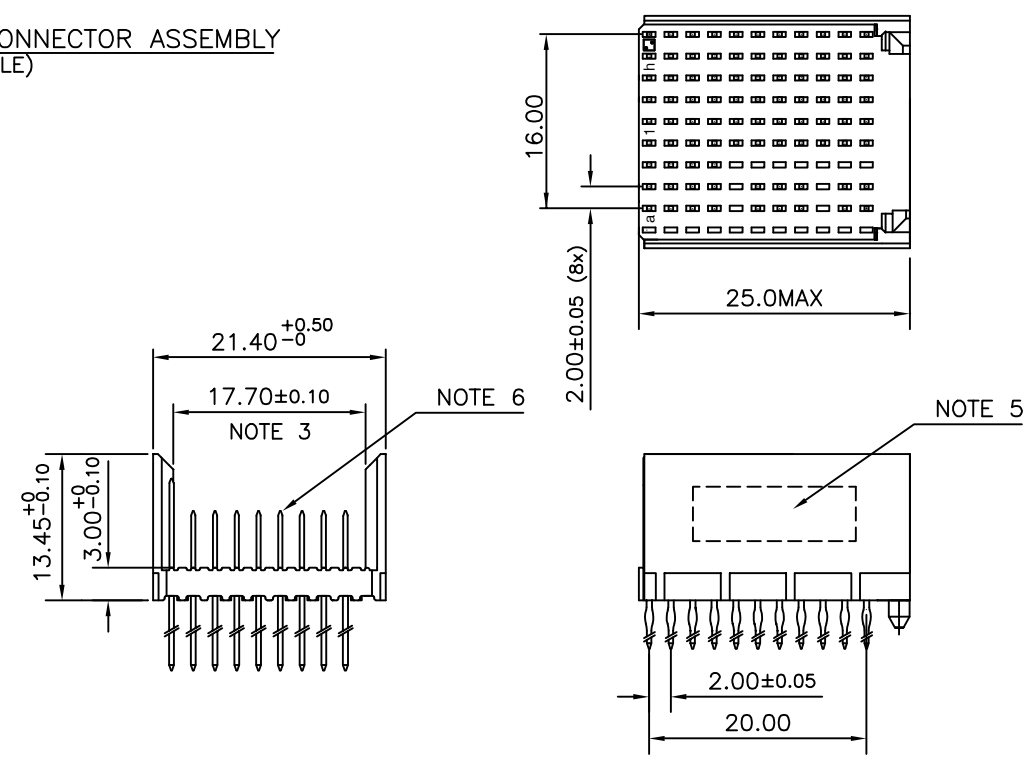


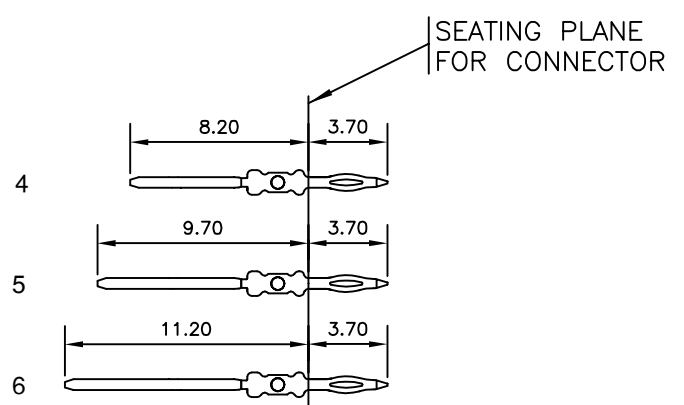
LOADING PATTERN MATING SIDE

y	6	6	6	6	6	6	6	6	6	6
h	4	4	4	4	4	4	4	4	4	4
g	4	4	4	4	4	4	4	4	4	4
f	4	4	4	6	6	6	6	6	4	4
e	4	4	4	4	4	4	4	4	4	4
d	4	4	4	4	4	4	4	4	4	4
c	4	4	4	4	0	0	0	0	0	0
b	5	5	5	5	0	4	4	4	0	5
a	5	6	5	6	0	4	4	4	0	5
z	0	0	0	0	0	0	0	0	0	0
P	0									
S	1									

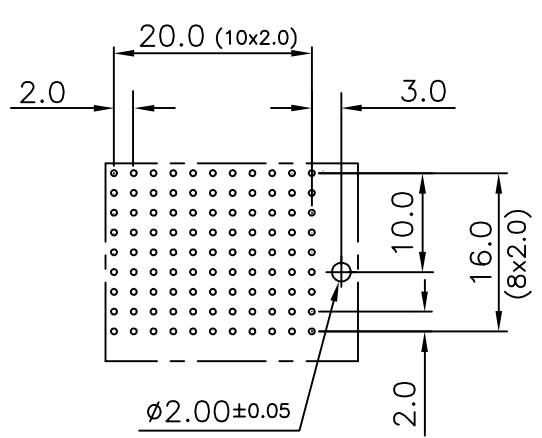
LOADED CONNECTOR ASSEMBLY (FOR EXAMPLE)



CONTACT OVERVIEW



LAY-OUT P.C.B.-HOLE



HM2P89PDH1A5 **LEAD FREE INDICATOR : LF = LEAD FREE (DIGIT 15 & 16)**  
**PLATING CODE (DIGIT 13 AND 14)**  
 (REF DRW NO. BS,C , 201844 , 003)

- NOTES**
- THIS PRODUCT IS CSA APPROVED.
  - THIS PRODUCT IS UL RECOGNIZED.
  - MEASURED AT THE BOTTOM.
  - MATERIAL CONTACT: PHOSPHORBRONZE  
HOUSING: CREAM WHITE GLASS FILLED POLYESTER UL-94V0
  - CONNECTOR PRINTED WITH P/N AND DATE CODE.
  - FOR ACTUAL CONTACT LOADINGS, SEE LOADING PATTERN MATING SIDE.
  - SHAPE OF CONNECTOR HOUSING CAN ALTER DEPENDING ON PRODUCTION LOCATION
  - THE PRODUCT (LF) MEETS EUROPEAN UNION DIRECTIVES AND OTHER COUNTRY REGULATIONS AS DESCRIBED IN GS-22-008
  - FOR RECOMMENDED PTH DIMENSIONS REFER DRAWING : BS, A , 201572 , 001
- CATALOG NO: HM2P89PDH1A5----

mat'l. code SEE NOTE 4		surface ISO 1302	tolerance ISO 406 ISO 1101	projection MM	product family MILLIPACS
ltr	ecn no	dr	date	tolerances unless otherwise specified	title
A	I03-0065	MINI	2003/11/07	angles linear .0±0.2	MPACS 8+2R STR HDR PF CONN TYPE F
B	I05-0187	MINI	2005/10/08	0°±1° .00±0.1	
C	I06-0077	MINI	2006/06/24		
		dr	MINI K VANDANATH	2003/11/07	dwg no
		enr	BIJU K PAUL	2003/11/07	sheet 1 of 1
		chr	BIJU K PAUL	2006/06/24	size
		appd	BIJU K PAUL	2006/06/24	A3
sheet index	revision sheet	C	1		type Product Customer Drawing

Copyright FCI  
 FCI  
 FCconnect.com