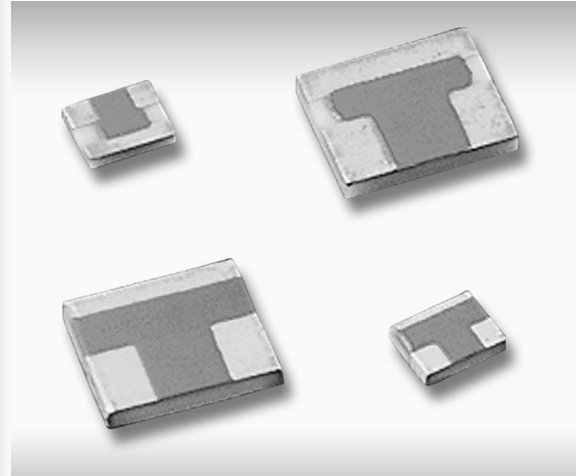


Features

- Substrate - Alumina
- Power Rating - 0.1 to 2 Watts
- Frequency Range DC to 18 GHz
- Tape and Reel Packaging Available
- VSWR under 1.50:1
- Variety of Chip Sizes
- Attenuation Values from 1 to 20 dB in 1 dB increments; consult the factory for fractional and higher attenuation values.
- S-Parameter Files Available
- Surface Mount and Lead Attachment Versions Available

Applications

- Circulators
- Coaxial Attenuator Components
- Filters
- High Power Amplifiers
- Instrumentation
- Isolators
- Military
- Signal Sampling
- Interstage Isolation
- Impedance Matching



EMC Technology's attenuators are available in a low power chip package. The power ratings range from 0.1 to 2 watts. The attenuation values range from 1 dB to 20 dB. The terminals of EMC chip attenuators are made with thick film base material that is nickel plated and solder coated. The resistive element is thin film offering superior electrical performance. The TS04 series uses thick film resistor elements. The devices are available for shipping in tray or tape and reel packaging.

Quick Selector Chart

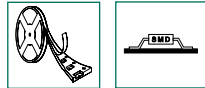
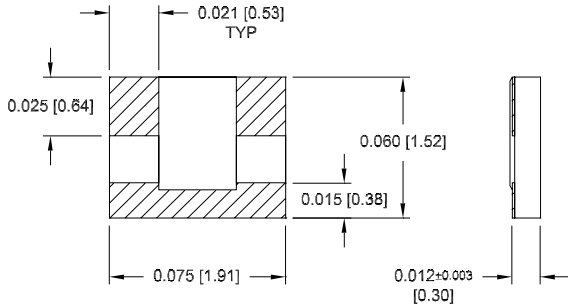
Series	Frequency Range (GHz)	Dimensions (Inches)
TS03	DC-12.4	.145 x .122
TS04	DC-2.5	.100 x .125
TS05	DC-18	.075 x .060

Table of Contents

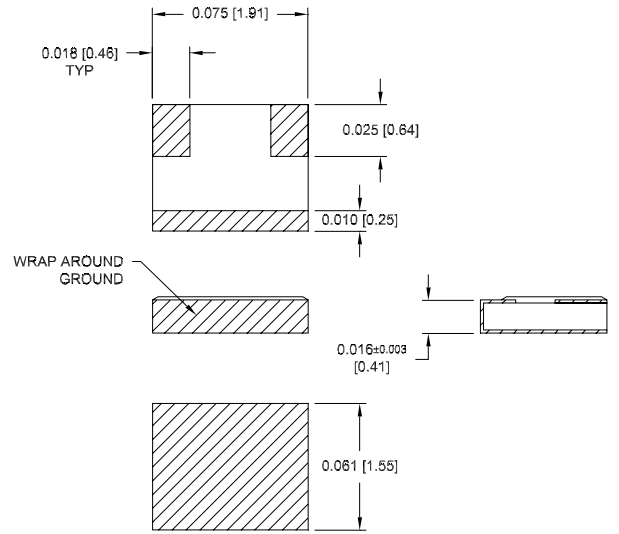
General Specifications	20
TS03 Chip	22
TS04 Chip	24
TS05 Chip	26

TS05 Style

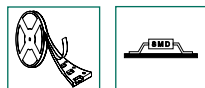
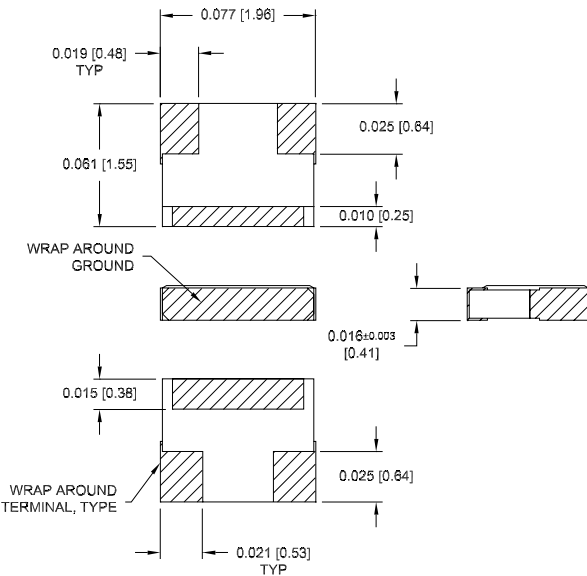
TS05XX/TS05XXG Series



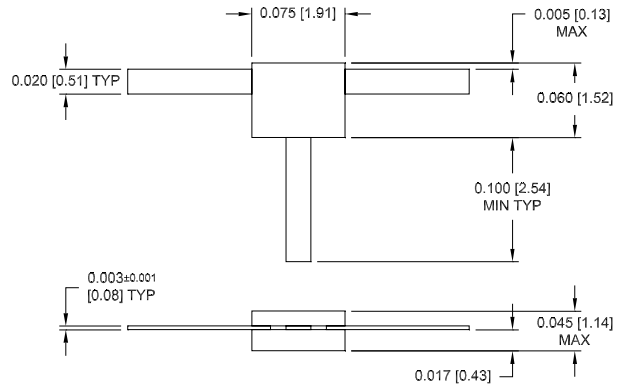
TS05XXW1/WB1 Series



TS05XXW3 Series



TS95XXT3 Series

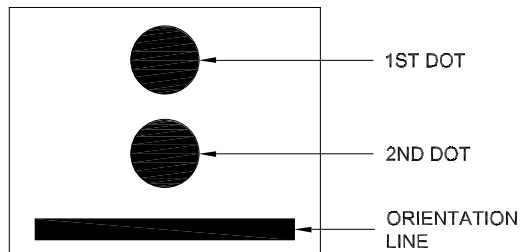


TS05 Marking Code

Part #	dB Value	1st Dot	2nd Dot
TS0500	0 dB	Black	-
TS0501	1 dB	Brown	-
TS0502	2 dB	Red	-
TS0503	3 dB	Orange	-
TS0504	4 dB	Yellow	-
TS0505	5 dB	Green	-
TS0506	6 dB	Blue	-
TS0507	7 dB	Violet	-
TS0508	8 dB	Gray	-
TS0509	9 dB	White	-
TS0510	10 dB	Brown	Black
TS0511	11 dB	Brown	Brown
TS0512	12 dB	Brown	Red
TS0513	13 dB	Brown	Orange
TS0514	14 dB	Brown	Yellow
TS0515	15 dB	Brown	Green
TS0516	16 dB	Brown	Blue
TS0517	17 dB	Brown	Violet
TS0518	18 dB	Brown	Gray
TS0519	19 dB	Brown	White
TS0520	20 dB	Red	Black

TS05 Marking

Marking Appears on Opposite Side of Resistive Element
(Planar only)



*W1, W3, WB1, G options mark on resist area.