

SPECIFICATIONS

Mechanical

Mating Force: 4 Pounds Max.
Unmating Force: 4 Pounds Max.
Durability: 1000 Cycles

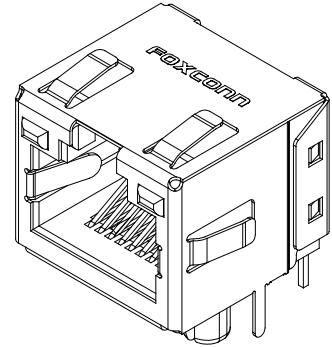
Electrical

Current Rating: 1.5A Max.
Voltage Rating: 150 VAC
Dielectric Withstanding Voltage: 1000V Contact To Contact
1500V Contact To Shield

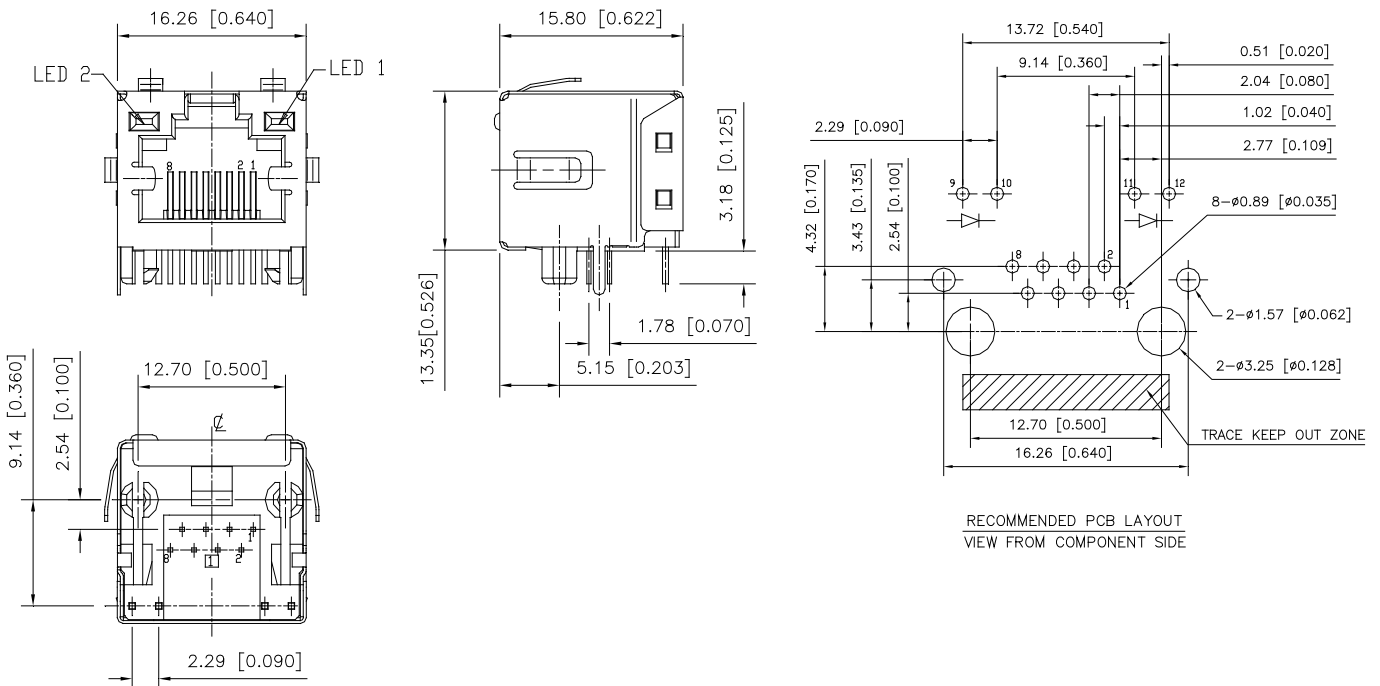
Physical

Housing: Thermoplastic, UL 94V-0 Rated In Black Color
Contact: Copper Alloy
Shell: Copper Alloy
Operating Temperature: 0°C To +70°C

JM Series
RJ45 T/H CONNECTOR
R/A T/U Type
W/LED W/SHIELDED
1.02mm [.040"] Pitch



DRAWING



ORDERING INFORMATION

PRODUCT NO.: **JM 3 7 1 1 5 - LAFF - 4 F**

- F = LEAD FREE
- 4 = SOFT TRAY
- EXTENSION DODE
- LAFF = GREEN-ORANGE LED & GREEN-ORANGE LED
- GOLD PLATING THICKNESS
- 5 = 50 u"
- NO. OF PORT
- 1 = SINGLE PORT
- POSITION TYPE
- 1 = 8P8C
- DESIGN TYPE
- 7 = W/ TOP & SIDE PANEL-GND, W/ BOARD-LOCK
- BODY&TERMINATION
- 3 = R/A, ALL SHIELDED, T/H
- SERIES PREFIX
- JM = MODULE JACK

P/N	LED 2	LED 1
	9 ϕ 10	11 ϕ 12
JM37115-LAFF-4F	GREEN	GREEN
	ORANGE	ORANGE