

PRELIMINARY SPEC

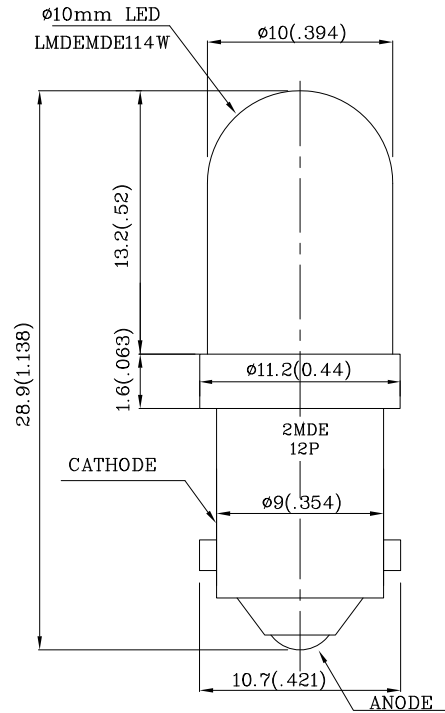
**Features**

- BUILT-IN CURRENT LIMITING RESISTOR FOR DIRECT APPLICATION OF DIFFERENT ACROSS CURRENT.
- LONG LIFE.
- LOW CURRENT, POWER SAVINGS.
- LOW MAINTENANCE.
- SOLID STATE, HIGH VIBRATION RESISTANT.
- 12V INTERNAL RESISTOR.
- RoHS COMPLIANT.



Notes:

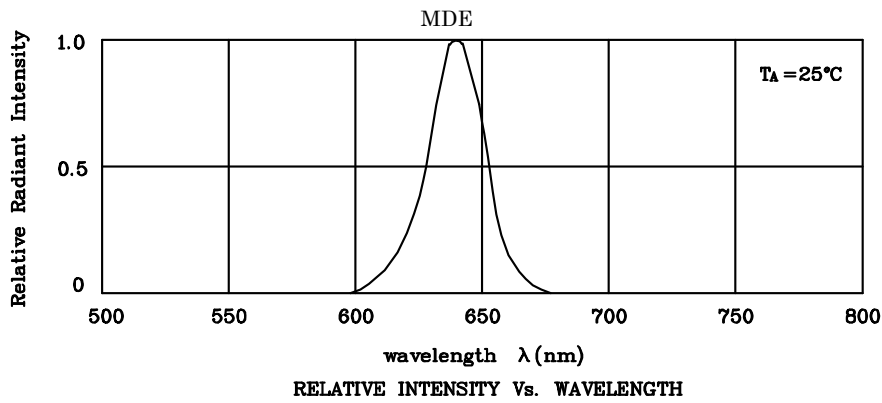
1. All dimensions are in millimeters (inches).
2. Tolerance is  $\pm 0.25(0.01")$  unless otherwise noted.
3. Specifications are subject to change without notice.



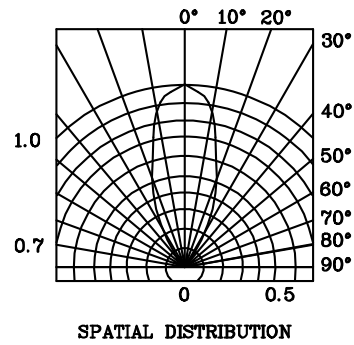
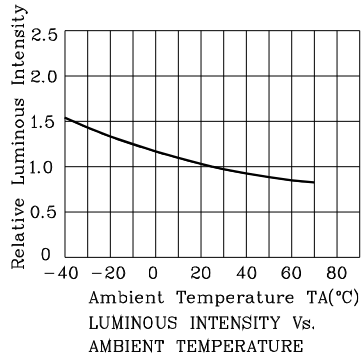
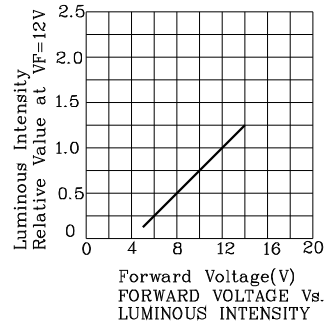
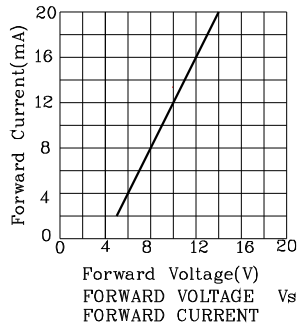
Absolute Maximum Ratings (TA=25°C)		MDE (InGaAlP)	Unit
Reverse Voltage	V <sub>R</sub>	5	V
Forward Voltage	V <sub>F</sub>	14	V
Power Dissipation	P <sub>T</sub>	280	mW
Operating Temperature	T <sub>A</sub>	-40 ~ +70	°C
Storage Temperature	T <sub>stg</sub>	-40 ~ +85	

Operating Characteristics (TA=25°C)		MDE (InGaAlP)	Unit
Forward Current (Typ.) (V <sub>F</sub> =12V)	I <sub>F</sub>	16	mA
Forward Current (Max.) (V <sub>F</sub> =12V)	I <sub>F</sub>	20	mA
Reverse Current (Max.) (V <sub>R</sub> =5V)	I <sub>R</sub>	10	uA
Wavelength Of Peak Emission (Typ.) (V <sub>F</sub> =12V)	λ P	640	nm
Wavelength Of Dominant Emission (Typ.) (V <sub>F</sub> =12V)	λ D	630	nm
Spectral Line Full Width At Half-Maximum (Typ.) (V <sub>F</sub> =12V)	Δλ	25	nm

Part Number	Emitting Color	Emitting Material	Lens-color	Luminous Intensity (V=12V) mcd		Wavelength nm λ P	Viewing Angle 2 θ 1/2
				min.	typ.		
YMDE102W12V	Red	InGaAlP	Water Clear	900	2490	640	40°

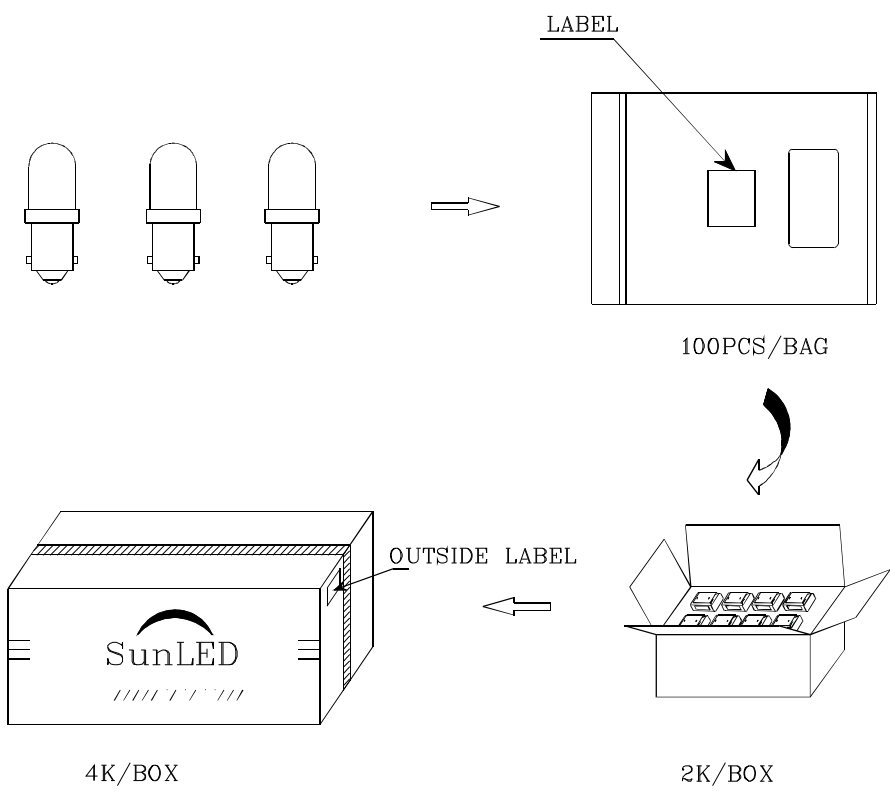



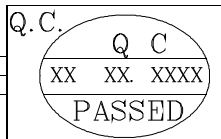

❖ **MDE**



**PACKING & LABEL SPECIFICATIONS**

**YMDE102W12V**

	
P/N0 : Yxxx102x	
QTY : 100 pcs	CODE: XXX
S/N : XX	
LOT NO :	
 XXXXXXXXXXXXXXXXXXXXXXXXXXXX	
RoHS Compliant	