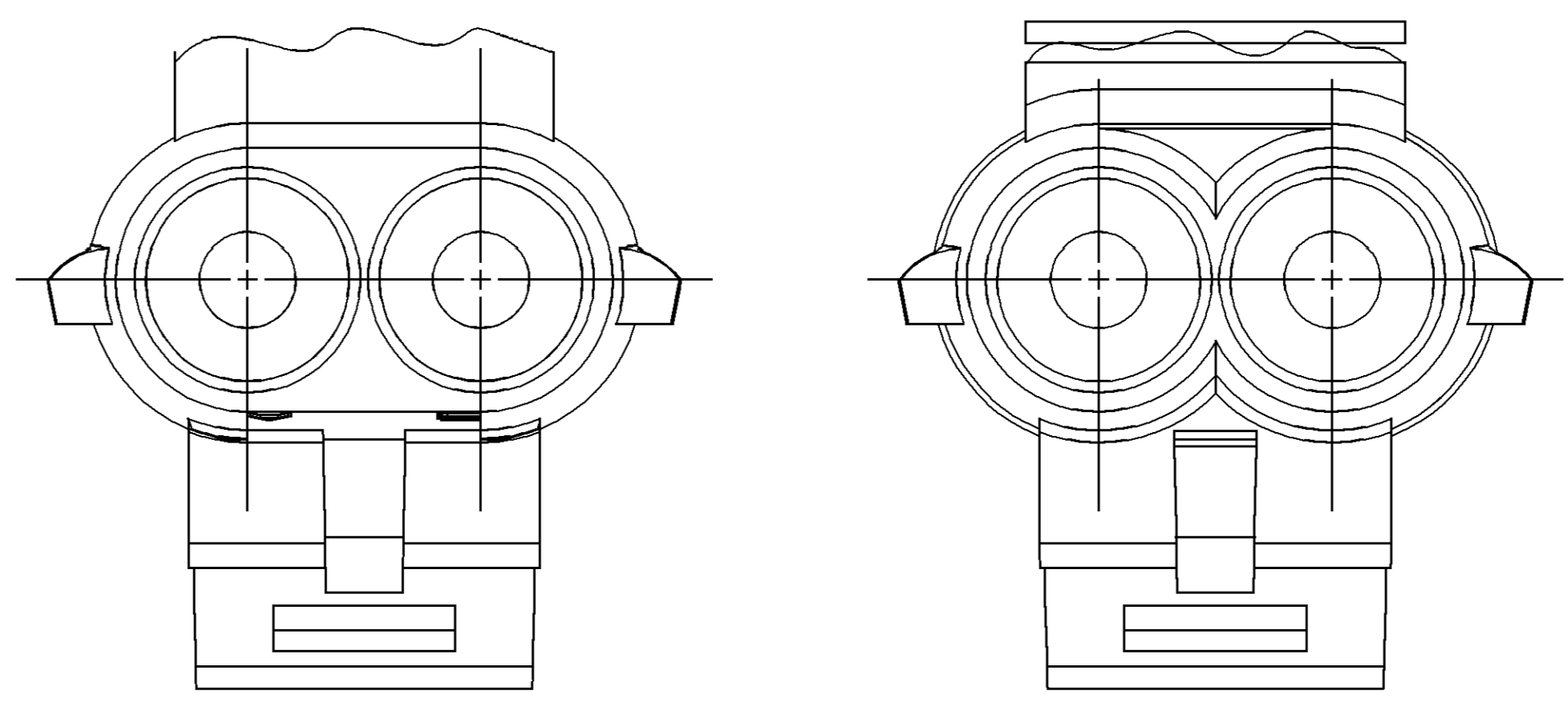
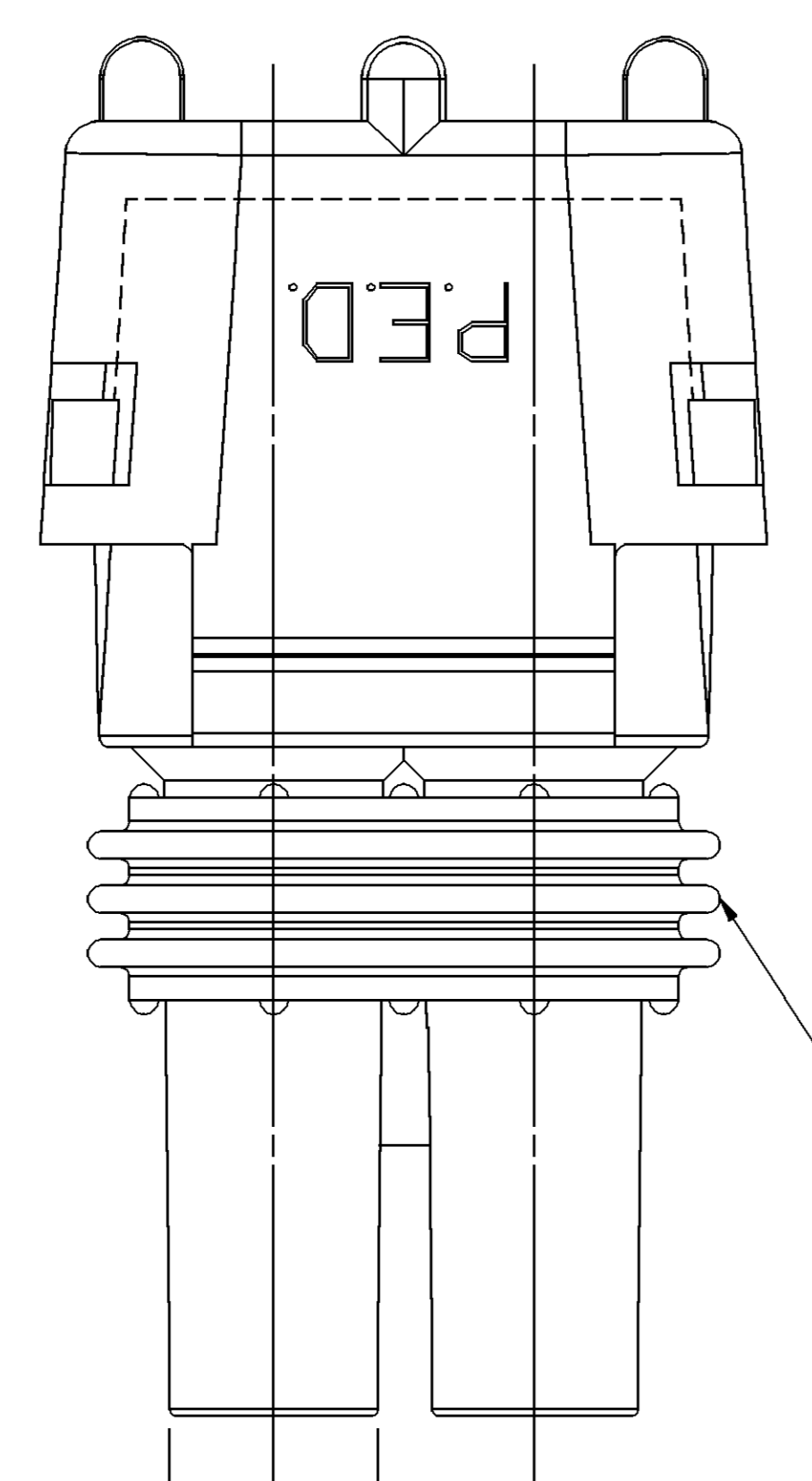


SYMBOL DEFINITION		TOTAL NO OF INSPECTIONS REQUIRED		LAST NO. USED	
A DIMENSION WITHOUT AN INSPECTION REPORT SYMBOL DOES NOT REQUIRE INSPECTION. IT MAY BE CONTROLLED ON THE INDIVIDUAL COMPONENT DRAWING.		10		9	

DWG STATUS				REVISION HISTORY				AUTH		DR		APVD	
DATE	STG	REV	N/P	CHG	ZONE	Cleared revision column and all parts - redrawn to PD				1	2	1	2
11DE01	R	07	-	-	-	12103584 - UPDATED PDM ATTRIBUTES				283016	JBD	AUG	EJH

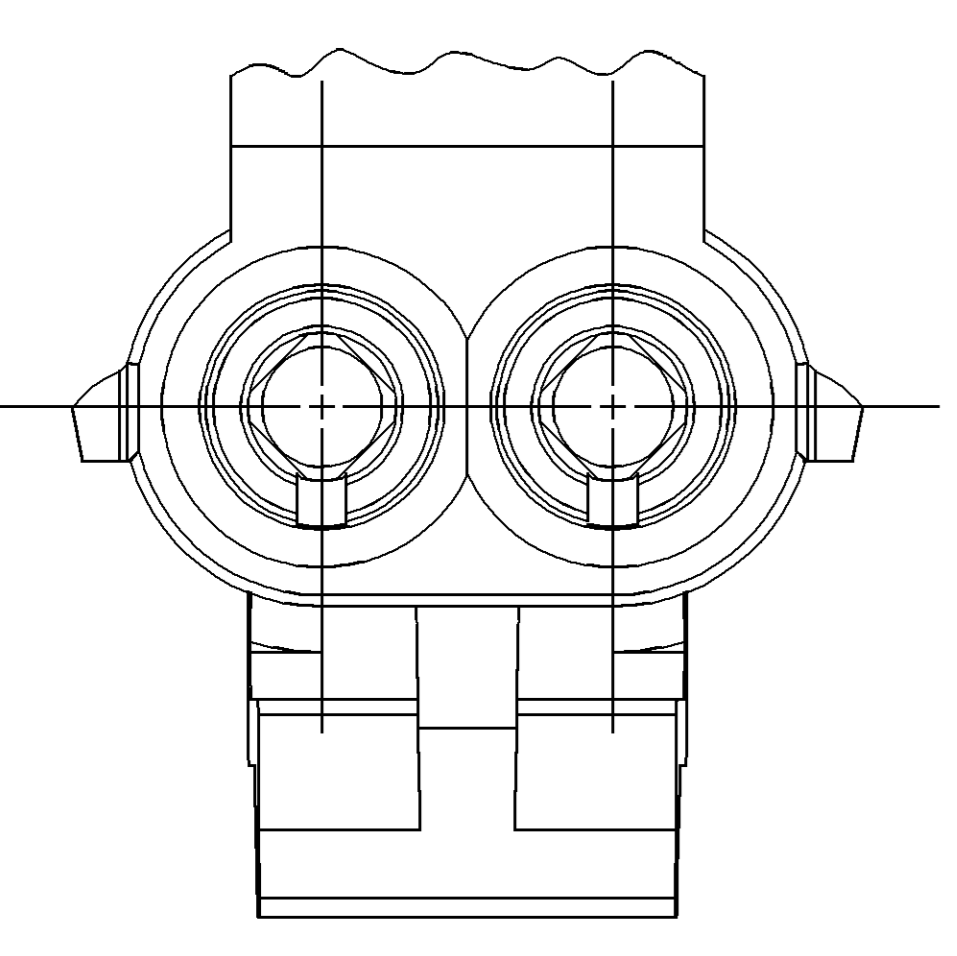


STANDARD CONSTRUCTION  
OPTIONAL CONSTRUCTION

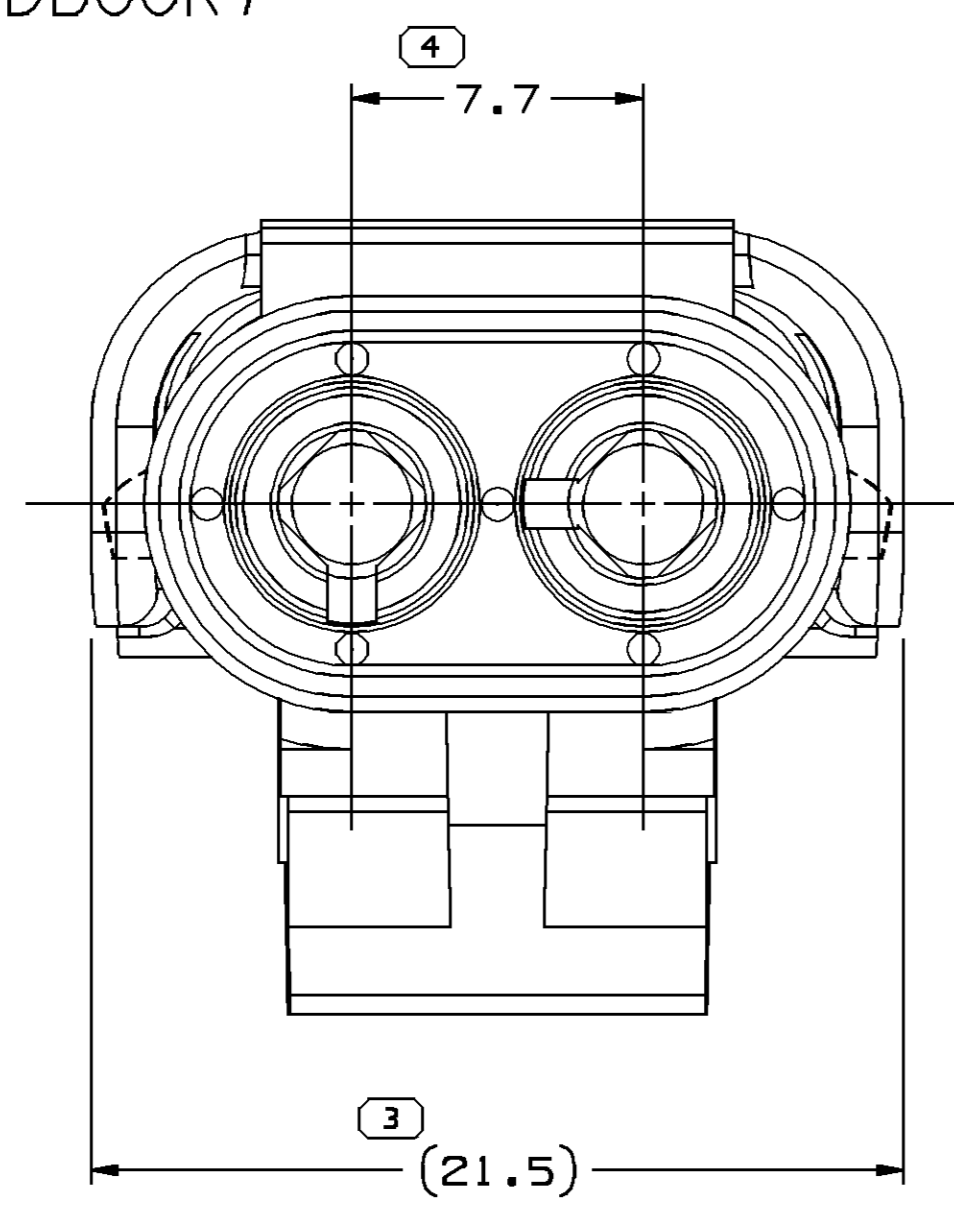
CABLE END VIEW OF CONN BODY

2X 2  
2X Ø 6.15

INDEX CODES  
(ALSO SEE HANDBOOK)

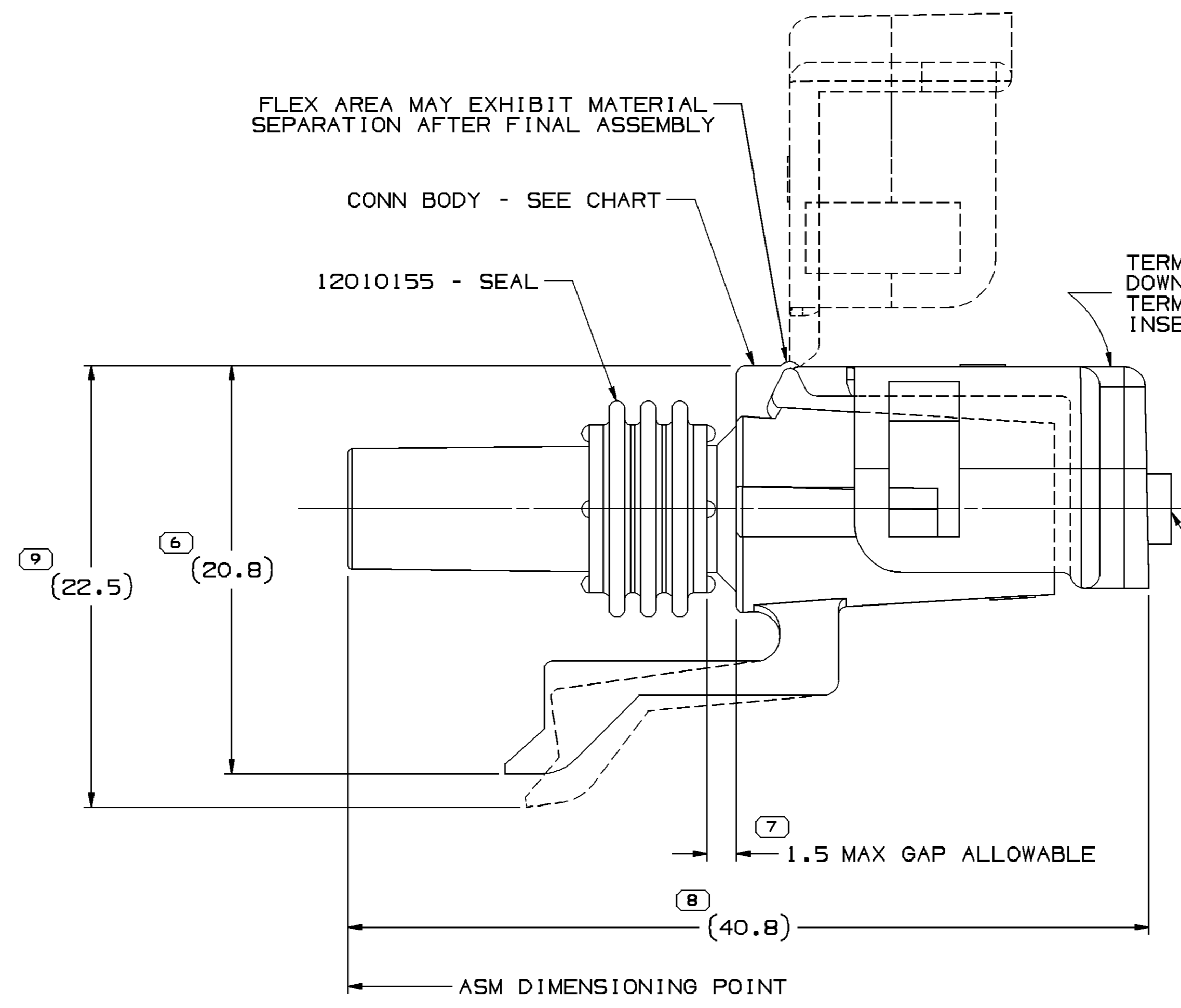


INDEX CODE  
-11-  
TYPE II



INDEX CODE  
-21-  
TYPE I

INDEX SLOT ARRANGEMENT

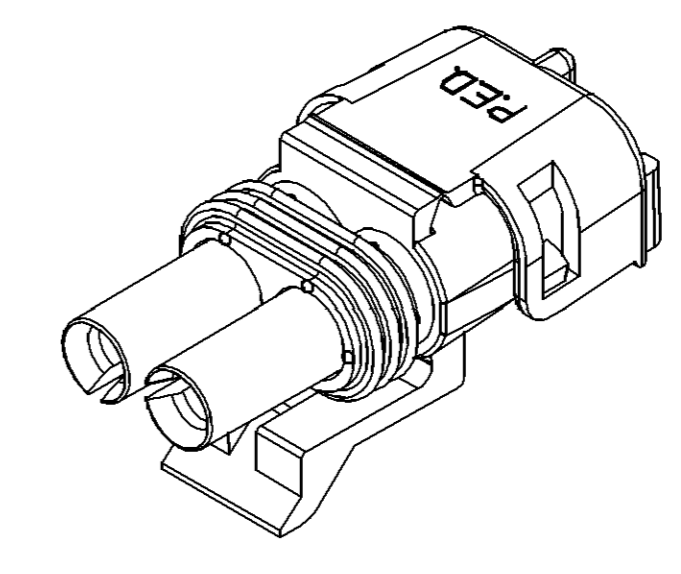


TERMINAL LOCK TO BE FOLDED DOWN AS SHOWN AFTER TERMINALS HAVE BEEN INSERTED.

CAVITY PLUG - SEE CHART WHEN CAVITY PLUGS ARE REQUIRED. TERMINAL LOCK TO BE FOLDED DOWN AS SHOWN AFTER CAVITY PLUGS HAVE BEEN INSERTED.

NOTES

- UNLESS OTHERWISE SPECIFIED AND/OR INDICATED: DIMENSIONS ARE TO FACE OF VIEW SHOWN AND AUTOMATICALLY ROUNDED BY COMPUTER FOR INSPECTION (SEE MATH MODEL FOR PRECISE DIMENSIONS). FOR ALL OTHER DIMENSIONS NOT SHOWN BUT REQUIRED FOR TOOL BUILD, SEE MATH MODEL FOR PRECISE TOOL PATH DATA.
- USE FEMALE TERMINAL 12089188 OR EQUIVALENT FOR "IN-LINE" APPLICATIONS. USE MALE TERMINAL 12089040 OR EQUIVALENT FOR "PANEL MOUNT" APPLICATIONS.
- USE CABLE SEAL 12015323 OR EQUIVALENT.
- WHEN PARTS ARE SHIPPED, THEY MUST PACKED IN PLASTIC BAGS OR SHIPPING CONTAINERS MUST BE LINED WITH PLASTIC LINERS. BAGS OR LINERS MUST BE SEALED TO AVOID ENTRY OF FOREIGN MATTER.
- SEALING CODE 3 - DESIGN WILL PASS SALT FOG AND IMMERSION TEST AFTER CONDITIONING AS SPECIFIED IN ESA-644 (WEATHER-PACK), ESA-710 (METRI-PACK), (WORLD CONNECTOR), ETC WHEN MATED TO MATING PART OR EQUIVALENT
- WHEN DESIGNING A PART TO MATE TO THIS WEATHER PACK CONNECTOR, REQUEST THE LATEST COPY OF DRAWING NUMBER 12020084 FROM THE PACKARD ELECTRIC DIVISION.



VIEW SCALE DOES NOT REFLECT ACTUAL PART SIZE

PART NO	REV	N/P	STATUS	CONN BODY	STANDARD DESCRIPTION	APPLICATION	REF: TERMINAL/GENDER	TYPE	CAVITY PLUGS	MATING PART
12103584	A3	-		12103583	ASM CONN 2M W/P TWR	DEVICE	12089040/MALE	I	-	DEVICE
12047672	A3	-		12015782	ASM CONN 2 W/P TWR	BLOCK-OFF	NONE	I	12010300-2 PLCS FOLD COVER	12010973
12045898	A4	-	OBSOLETE	12047690	ASM CONN 2F W/P TWR	IN-LINE	12089188/FEMALE	I	-	12146103
12020778	A	-	OBSOLETE	12020777	ASM CONN 2M W/P TWR	DEVICE	12089040/MALE	II	-	DEVICE
12015792	A3	-		12015782	ASM CONN 2F W/P TWR	IN-LINE	12089188/FEMALE	I	-	12010973

DIMENSIONAL RANGE (MM)		TOLERANCE UNLESS OTHERWISE SPECIFIED		ANGULAR TOLERANCE 2C°	
FROM	TO	±	±	±	±
> 0	> 20	±0.15	±0.2	±1	±1.2
> 20	> 30	±0.2	±0.3	±1	±1.2
> 30	> 70	±0.3	±0.4	±1	±1.2
> 70	> 100	±0.4	±0.5	±1	±1.2
> 100	> 150	±0.5	±0.6	±1	±1.2
> 150	> 200	±0.6	±0.8	±1	±1.2
> 200	> 250	±0.8	±1.0	±1	±1.2
> 250	> 300	±1.0	±1.2	±1	±1.2
> 300	> 400	±1.2	±1.5	±1	±1.2

**DELPHI**  
DELPHI PACKARD ELECTRIC SYSTEMS  
WVREN, OH

DR	DATE
APV01 D. BORKOSKY	14FEB84
APV02 J. CAPITO	21FEB84
APV03 D. SOVACCOOL	06MFB84
APV04	
APV05	

UNLESS OTHERWISE SPECIFIED:  
THIS DOCUMENT IS IN ACCORDANCE WITH ASME Y14.5M-1994 AS MODIFIED BY THE IN CHARGE ENGINEER AND THE DRAWING APPROVAL OFFICE. ALL DIMENSIONS UNLESS OTHERWISE SPECIFIED ARE IN MILLIMETERS. DIMENSIONS NOT SHOWN BUT REQUIRED FOR TOOL BUILD ARE ESTABLISHED BY ORIENTATION OR LOCATION TOLERANCES. SEPARATE POSITION CALLOUTS MAY BE SHOWN SEPARATELY, REGARDLESS OF DATUM REFERENCE.  
ALL DIMENSIONS ARE IN MILLIMETERS.

REFERENCE: 12015792

DRAWING NAME: TAXI ASM CONN W/P TWR SLD  
DRAWING NUMBER: 12047691

SCALE: 5:1  
SHEET NO: 1 OF 1  
REV: R 08