

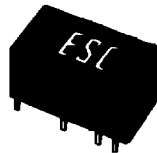
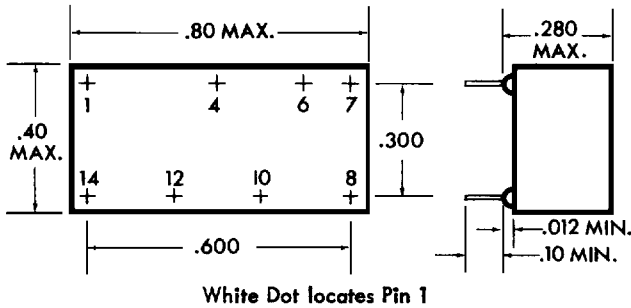


HIGH PERFORMANCE DIGITAL DELAY LINES

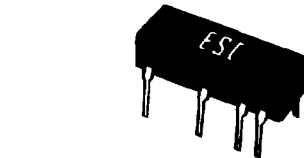
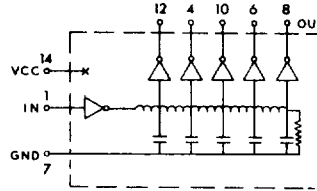
TTL COMPATIBLE
5 TAPS • 14 PIN PACKAGE
DELAY TOLERANCE CONTROLLED AT
LEADING & TRAILING EDGES

SERIES 14HT AND 14HTD

** Also available as single output 14HG series or 14HGD series.

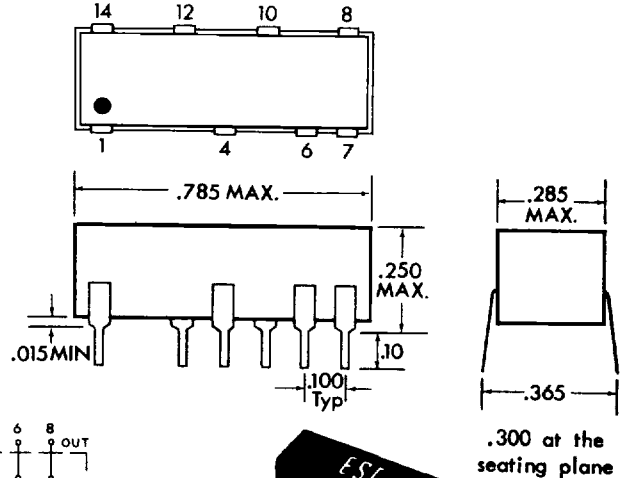


14HT



14HTD LOW PROFILE

MACHINE INSERTABLE LOW PROFILE DIP



Intermediate delay values available upon request.

Model Nos.		Delay (ns)	Delay/ Tap(ns)
Series 14HT	Series 14HTD		
14HT25	14HTD25	25	5
14HT30	14HTD30	30	6
14HT35	14HTD35	35	7
14HT40	14HTD40	40	8
14HT45	14HTD45	45	9
14HT50	14HTD50	50	10
14HT75	14HTD75	75	15
14HT100	14HTD100	100	20
14HT150	14HTD150	150	30
14HT200	14HTD200	200	40
14HT250	14HTD250	250	50
14HT300	14HTD300	300	60
14HT500	14HTD500	500	100
14HT750	14HTD750	750	150
14HT1000	14HTD1000	1000	200

DC PARAMETERS		LIMITS	
		Min.	Max.
V_{oh}	$V_{cc} = \min$ $I_{oh} = 1.0 \text{ mA}$	2.5V	—
V_{ol}	$V_{cc} = \min$ $I_{ol} = 20 \text{ mA}$	—	0.5V
I_{ih}	$V_{cc} = \max$ $V_{ih} = 2.7V$	—	50 μA
I_{il}	$V_{cc} = \max$ $V_{il} = 0.5V$	-2.0 mA	—
I_i	$V_{cc} = \max$ $V_i = 5.5V$	—	1.0 mA
V_i	$V_{cc} = \min$ $I_{in} = -18 \text{ mdc}$	-1.2vdc	—
I_{cc}	$V_{cc} = \max$ outputs low	—	70 mA

For variations in delay from above listing, modify part number by changing delay.
Example: 600ns, 14HT series becomes 14HT600.

SPECIFICATIONS:

- Supply voltage: 5.0VDC \pm 5%
- Delay tolerances: \pm 2ns or \pm 5% wig
- Rise Time: 4ns max
- Minimum Pulse Width: 20% of Td
- Maximum Duty Cycle: 50%
- * ● Operating temp. range: 0°C to +70°C
- Temp. coeff. of delay: 1.0ns + 500ppm/°C
- Terminals: Electro tin plated alloy 42
.020w x .010th

TEST CONDITIONS:

- $V_{cc} = 5.0VDC$, Temp. 25° \pm 5°
- Time delay measured at the 1.5 level of leading & trailing edges referenced to input
- Rise time measured from .75V to 2.4V
- All outputs loaded with 15pf
- Input Test Pulse: Pulse voltage: 3.0V
Pulse rise time: 2ns
Pulse width: 1.2 x max Td
Pulse spacing: 5 x max Td

* The 14HT & 14HTD series are supplied with plastic packaged IC's for 0°C to 70°C operation. For Military applications, -55°C to +125°C operation, ESC employs ceramic packaged IC's which have been tested & screened to MIL-STD-883. When ordering the MIL Version, specify 14HTC series. Note dimensions will change to .360" high X .820" long. When specifying add letter "C" after "T." Example: 14HT50 converts to 14HTC50.

** The 14HT & 14HTD Series are also available as single output types. Specify 14HG, or 14HGD for commercial, 14HGC only for Mil types.