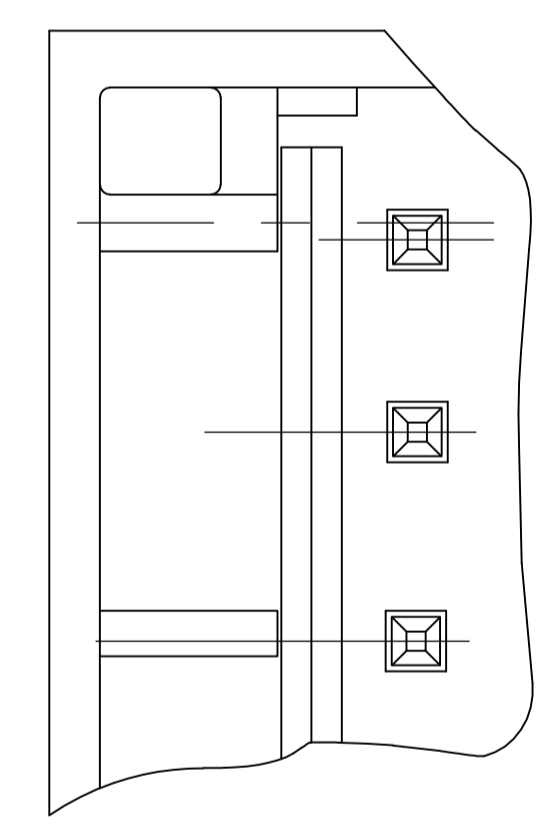
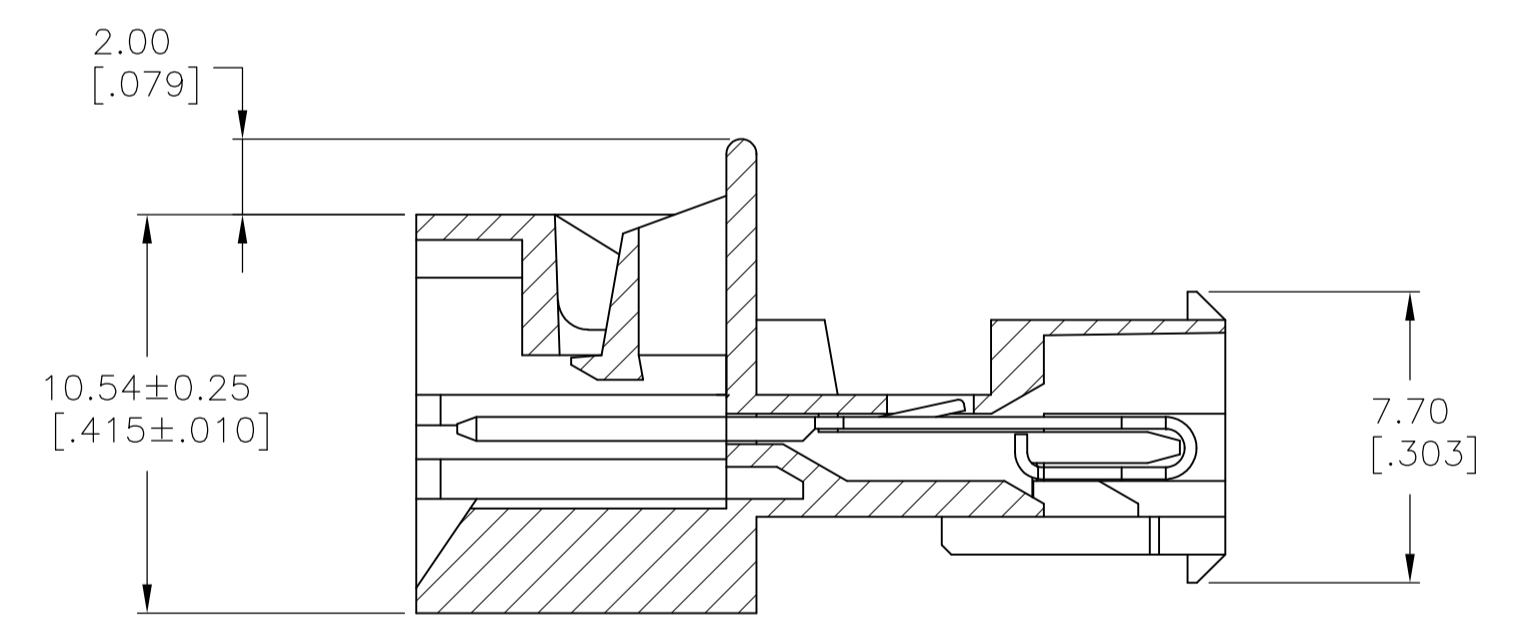
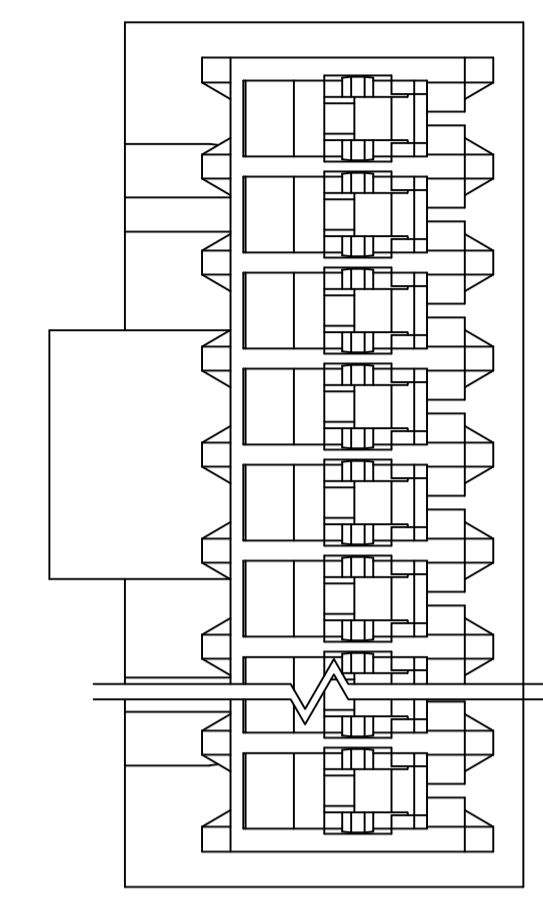
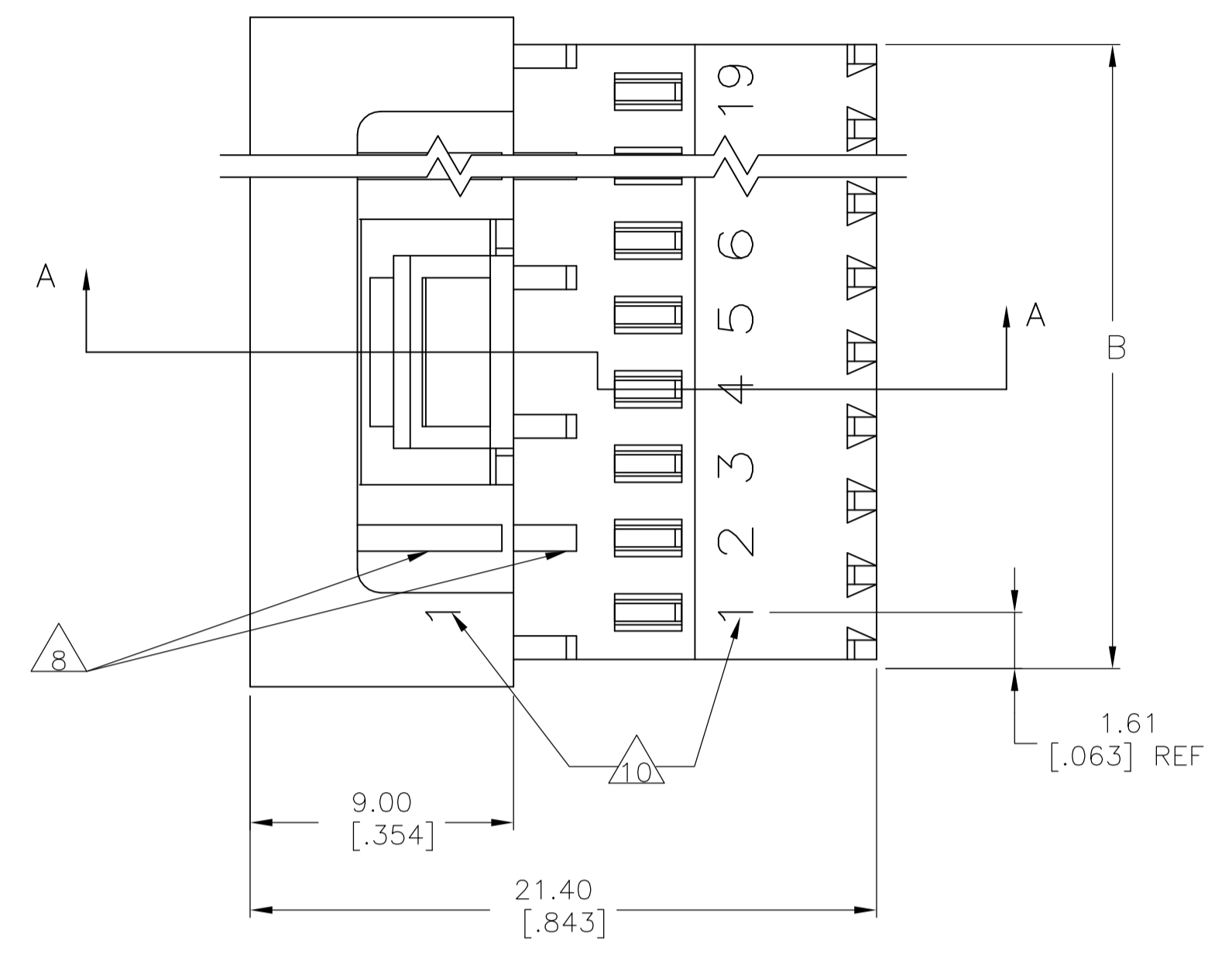
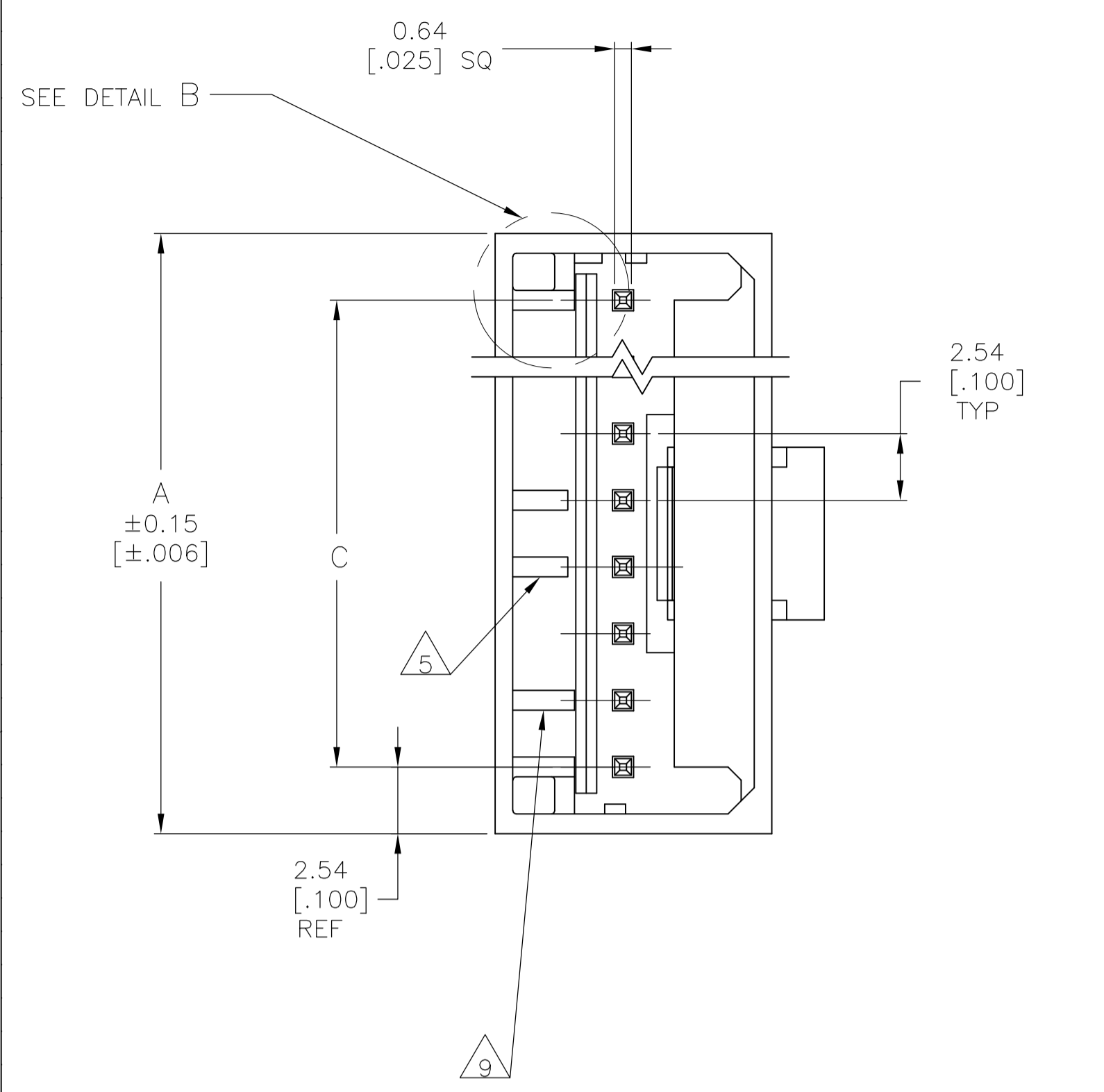
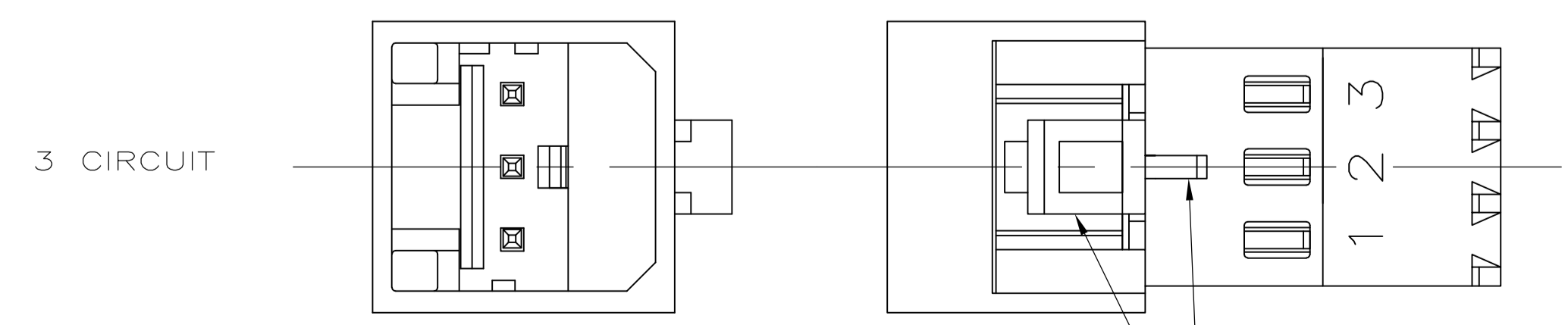
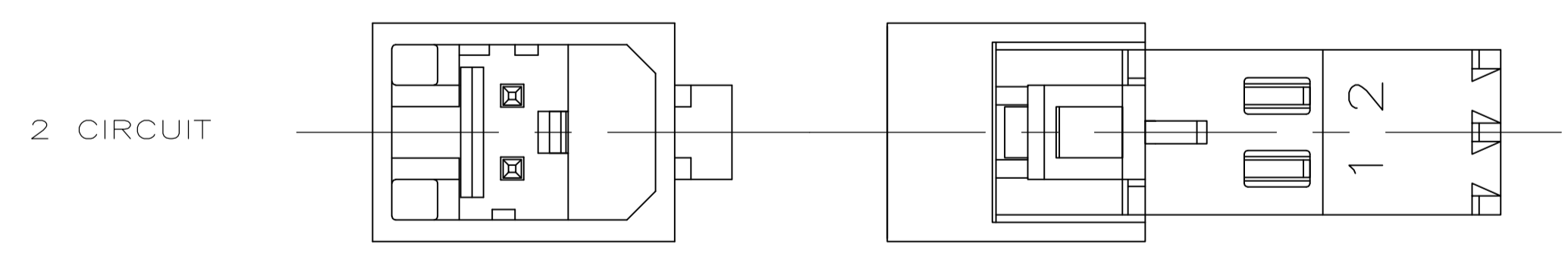


LOC		DIST		REVISIONS			
CM	00	REV	DATE	BY	CHK	APPV	
G		REVISED PER ECO-12-007492	03AUG12	KH	SM		



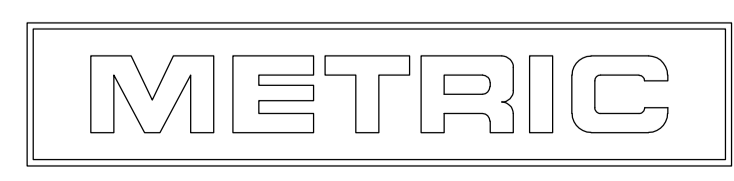
DETAIL B
SCALE 10:1
ALTERNATE CONFIGURATION



DETAIL A 3

- 1 MATERIAL:
HOUSING- NYLON UL94V-2 .
CONTACTS- 0.30 [.012] THK COPPER ALLOY
PLATING : BRIGHT TIN-LEAD FOR 0.00203[.000080] MIN THK 647000-2 THRU 1-647000-9 OR MATTE TIN 0.00203[.000080] MIN THK. FOR 3-647000-2 THRU 4-647000-9.
- 2 CONTACTS ACCEPT 22 AWG (0.3 - 0.4 mm²) TIN PLATED SOLID,CONCENTRIC FUSED STRANDED, OR CONCENTRIC STRANDED (7 AND 19 STRAND) WIRE WITH 1.52 [.060] MAX INSULATION DIAMETER.
- 3 MATES WITH STANDARD MTA-100 CONNECTORS: OF THE SAME CIRCUIT SIZES WITH SIMILARLY PLATED CONTACTS WITH POLARIZING TABS-CIRCUIT SIZES 4-19 ONLY WITHOUT POLARIZING TABS-CIRCUIT SIZES 2 & 3.

DOES NOT MATE WITH MTA-100 CONNECTORS: WITH POLARIZING TABS-CIRCUIT SIZES 2 & 3 ONLY. (SEE DETAIL A) WITH BLOCKED CIRCUITS -ALL CIRCUIT SIZES. NOT RECOMMENDED FOR MATING WITH MTA-100 CONNECTOR WITHOUT POLARIZING TABS. CIRCUIT SIZES 4-19.
- 4 ACCESSORIES:
REPLACEMENT IDC CONTACTS: 647030-1.
COVERS: SEE TABLE
- 5 QUANTITY OF CENTRALLY POSITIONED RAILS VARIES WITH CIRCUIT SIZE. (SEE TABLE) LOCATION MAY DIFFER FROM EXAMPLE SHOWN.
- 6 DIMENSIONS IN BRACKETS ARE IN INCHES.
- 7 SIMILAR SIZED LOCK AND SINGLE TAB USED OR CIRCUITS 4 & 5.
- 8 QUANTITY OF GUSSET RIBS VARIES WITH CIRCUIT SIZE (SEE TABLE). LOCATION MAY DIFFER FROM EXAMPLE SHOWN.
- 9 INNER END RAIL PAIR NOT PRESENT FOR CIRCUIT SIZES 2 OR 3.
- 10 CIRCUIT ID MAY APPEAR FULLY NUMBERED OR SHOWING LOCATION 1 ONLY DEPENDING ON CIRCUIT SIZE.
- 11 OBSOLETE PARTS: OBSOLETE CIS STREAMLINING PER D.RENAUD/D.SINISI
- 12 RED COLOR STRIPE ON HOUSING (NOT SHOWN) MAY RUN DOWN BETWEEN RIBS.



THIS DRAWING IS A CONTROLLED DOCUMENT.		DIN R. LEWIS 28APR97	TE Connectivity
DIMENSIONS: mm [INCHES]		CHK R. SWING 28APR97	
TOLERANCES UNLESS OTHERWISE SPECIFIED:		NAME E. BEILES 28APR97	MTA-100 POSTED CONNECTOR ASSEMBLY,CLOSED END,22 AWG,TIN PRODUCT SPEC
0 PLC ± - 1 PLC ± - 2 PLC ± 0.20 [.007] 3 PLC ± - 4 PLC ± - ANGLES ± -		APPLICATION SPEC	
MATERIAL	FINISH	SIZE A1	RESTRICTED TO
1	1	00779C=647000	SCALE 5:1 SHEET 1 OF 2 REV G
CUSTOMER DRAWING		WEIGHT	

1-640642-9	1-643077-9	4	2	45.72	1.800	48.95	1.927	50.80	2.000	19	4-647000-9				
1-640642-8	1-643077-8	4	2	43.18	1.700	46.41	1.827	48.26	1.900	18	4-647000-8				
1-640642-7	1-643077-7	4	2	40.64	1.600	43.87	1.727	45.72	1.800	17	4-647000-7				
1-640642-6	1-643077-6	4	2	38.10	1.500	41.33	1.627	43.18	1.700	16	4-647000-6				
1-640642-5	1-643077-5	4	2	35.56	1.400	38.79	1.527	40.64	1.600	15	4-647000-5				
1-640642-4	1-643077-4	4	2	33.02	1.300	36.25	1.427	38.10	1.500	14	4-647000-4				
1-640642-3	1-643077-3	4	2	30.48	1.200	33.71	1.327	35.56	1.400	13	4-647000-3				
1-640642-2	1-643077-2	2	1	27.94	1.100	31.17	1.227	33.02	1.300	12	4-647000-2				
1-640642-1	1-643077-1	2	1	25.40	1.000	28.63	1.127	30.48	1.200	11	4-647000-1				
1-640642-0	1-643077-0	2	1	22.86	.900	26.09	1.027	27.94	1.100	10	4-647000-0				
640642-9	643077-9	2	1	20.32	.800	23.55	.927	25.40	1.000	9	3-647000-9				
640642-8	643077-8	2	0	17.78	.700	21.01	.827	22.86	.900	8	3-647000-8				
640642-7	643077-7	0	0	15.24	.600	18.47	.727	20.32	.800	7	3-647000-7				
640642-6	643077-6	0	0	12.70	.500	15.93	.627	17.78	.700	6	3-647000-6				
640642-5	643077-5	0	0	10.16	.400	13.39	.527	15.24	.600	5	3-647000-5				
640642-4	643077-4	0	0	7.62	.300	10.85	.427	12.70	.500	4	3-647000-4				
640642-3	643077-3	0	0	5.08	.200	8.31	.327	10.16	.400	3	3-647000-3				
-	643077-2	0	0	2.54	.100	5.77	.227	7.62	.300	2	3-647000-2				
SUPERSEDED BY 4-647000-9	1-640642-9	1-643077-9	4	2	45.72	1.800	48.95	1.927	50.80	2.000	19	4-647000-9			
SUPERSEDED BY 4-647000-8	1-640642-8	1-643077-8	4	2	43.18	1.700	46.41	1.827	48.26	1.900	18	4-647000-8			
SUPERSEDED BY 4-647000-7	1-640642-7	1-643077-7	4	2	40.64	1.600	43.87	1.727	45.72	1.800	17	4-647000-7			
OBSOLETE BY 4-647000-5	1-640642-6	1-643077-6	4	2	38.10	1.500	41.33	1.627	43.18	1.700	16	4-647000-6			
SUPERSEDED BY 4-647000-5	1-640642-5	1-643077-5	4	2	35.56	1.400	38.79	1.527	40.64	1.600	15	4-647000-5			
SUPERSEDED BY 4-647000-4	1-640642-4	1-643077-4	4	2	33.02	1.300	36.25	1.427	38.10	1.500	14	4-647000-4			
SUPERSEDED BY 4-647000-3	1-640642-3	1-643077-3	4	2	30.48	1.200	33.71	1.327	35.56	1.400	13	4-647000-3			
SUPERSEDED BY 4-647000-2	1-640642-2	1-643077-2	2	1	27.94	1.100	31.17	1.227	33.02	1.300	12	4-647000-2			
SUPERSEDED BY 4-647000-1	1-640642-1	1-643077-1	2	1	25.40	1.000	28.63	1.127	30.48	1.200	11	4-647000-1			
	1-640642-0	1-643077-0	2	1	22.86	.900	26.09	1.027	27.94	1.100	10	4-647000-0			
	640642-9	643077-9	2	1	20.32	.800	23.55	.927	25.40	1.000	9	647000-9			
	640642-8	643077-8	2	0	17.78	.700	21.01	.827	22.86	.900	8	647000-8			
SUPERSEDED BY 3-647000-7	640642-7	643077-7	0	0	15.24	.600	18.47	.727	20.32	.800	7	647000-7			
	640642-6	643077-6	0	0	12.70	.500	15.93	.627	17.78	.700	6	647000-6			
	640642-5	643077-5	0	0	10.16	.400	13.39	.527	15.24	.600	5	647000-5			
	640642-4	643077-4	0	0	7.62	.300	10.85	.427	12.70	.500	4	647000-4			
	640642-3	643077-3	0	0	5.08	.200	8.31	.327	10.16	.400	3	647000-3			
	-	643077-2	0	0	2.54	.100	5.77	.227	7.62	.300	2	647000-2			
DUST COVER	STRAIN RELIEF COVERS	QTY OF GUSSET RIBS	QTY OF CENTRAL RAILS	MM	IN	MM	IN	MM	IN	NO. OF CIRCUITS	PART NO				
	ACCESSORIES			C		B		A							

SUPERSEDED BY 4-647000-9
 SUPERSEDED BY 4-647000-8
 SUPERSEDED BY 4-647000-7
 OBSOLETE BY 4-647000-5
 SUPERSEDED BY 4-647000-3
 SUPERSEDED BY 4-647000-1
 SUPERSEDED BY 3-647000-7

METRIC

THIS DRAWING IS A CONTROLLED DOCUMENT.		DIN B LEWIS 28APR97		TE Connectivity
DIMENSIONS: mm [INCHES]		CIK R SWING 28APR97		NAME
TOLERANCES UNLESS OTHERWISE SPECIFIED:		F BEILES 28APR97	PRODUCT SPEC	MTA-100 POSTED CONNECTOR ASSEMBLY,CLOSED END,22 AWG,TIN
0 PLC ± -		APPLICATION SPEC	SIZE	CAGE CODE
1 PLC ± -		WEIGHT	A1	00779
2 PLC ± -		CUSTOMER DRAWING	SCALE	1:1
3 PLC ± -			SHEET	2 OF 2
4 PLC ± -			REV	G
ANGLES ± -				