

**Transistor Can  
SPDT  
Dry Circuit to 1 Amp**

**SPECIFICATIONS**

**GENERAL**

**Contact Arrangement** ..... SPDT (1 Form C)  
**Weight** ..... 0.1 oz approx.  
 Designed to meet the requirements of MIL-PRF-39016.

**PERFORMANCE**

**Contact Rating** (Note 1)  
 Resistive ..... 1 Amp @ 28 VDC  
 Low Level ..... 10-50  $\mu$ A @ 10-50 mv DC  
 or peak AC (Note 4)  
**Life** ..... 100,000 operations minimum  
 @ 1 amp load, 125°C  
**Pull In Power** ..... 100 mw approx.  
**Operate/Release Time** ..... 4 ms max, excluding  
 bounce time at nominal coil voltage  
**Contact Bounce Time** ..... 2 ms max @ 1 Amp  
 28 VDC contact load  
**Contact Resistance**  
 Before Life ..... 0.050 Ohms max @ 1 Amp  
 and 6 VDC  
 After Life ..... 0.100 Ohms max @ 1 Amp  
 and 6 VDC

**ENVIRONMENTAL**

**Temperature Range** ..... -65°C to +125°C  
**Vibration** (Note 2) ..... 0.4" DA 10 - 38 Hz,  
 20 G's 38 - 2,000 Hz  
**Shock (Operating)** (Note 2) ..... 50 G's 11 ms

**ELECTRICAL CHARACTERISTICS**

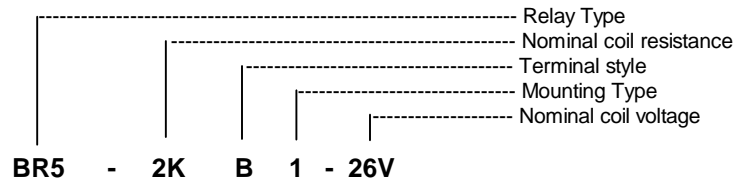
**Duty Cycle** ..... Continuous  
**Insulation Resistance**  
 10,000 megohms @ 500V 25°C  
 1,000 megohms @ 500V 125°C  
**Dielectric Strength:**  
 Sea Level:  
 Contact to Case ..... 500 VRMS  
 Contact to Coil ..... 500 VRMS  
 Coil to Case ..... 500 VRMS  
 Across Open Contacts ..... 300 VRMS  
 70,000 Feet  
 All points ..... 250 VRMS

Notes:

1. For case grounded loads and other ratings, consult the factory.
2. For applications requiring other shock and vibration levels, consult the factory.
3. For other ratings consult the factory.
4. Relay contacts which have switched high level currents are no longer suitable for switching low level loads.

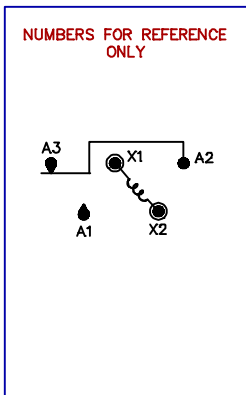
### COIL DATA:

MODEL BR5 PART NUMBER	BR5-500()-12V	BR5-1K()-18V	BR5-2K()-26V
NOMINAL COIL VOLTAGE	12 VDC	18 VDC	26 VDC
MAXIMUM COIL VOLTAGE	14.8 VDC	22 VDC	32 VDC
PULL IN VOLTAGE (MAX @ +125°C)	9.5 VDC	14 VDC	18 VDC
PULL IN VOLTAGE (MAX)	6.7 VDC	9.5 VDC	13 VDC
DROP OUT VOLTAGE (MIN)	0.67 VDC	0.95 VDC	1.3 VDC
COIL RESISTANCE ± 10% @ 25°C	500 OHMS	1K OHMS	2K OHMS

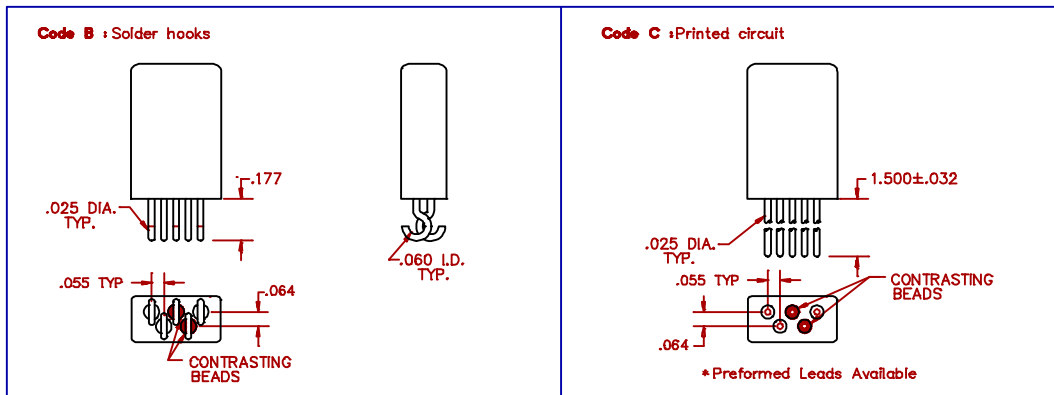


### SCHEMATIC

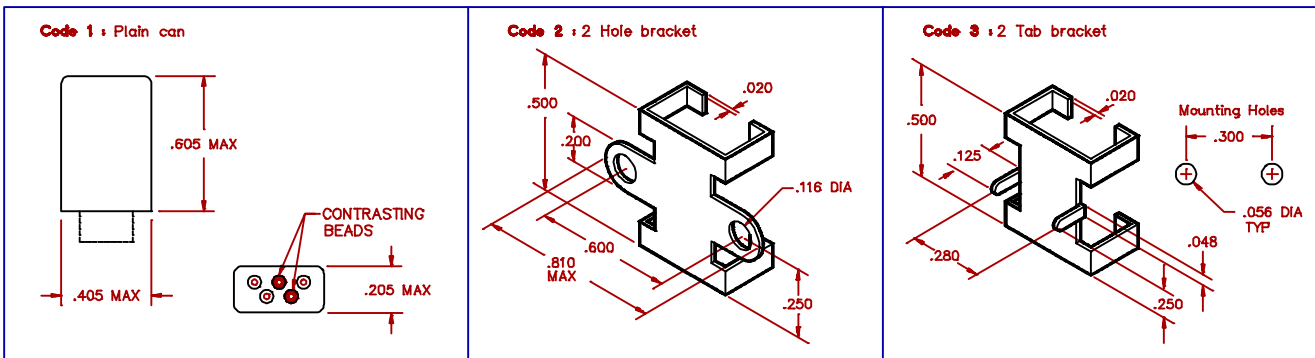
#### TERMINAL VIEW



#### TERMINAL STYLES



### MOUNTING CODES



### GENERAL NOTES

- Unless otherwise specified, all tests made at nominal coil voltages, @ 25°C.
- For special coil variations, switching configurations, terminals styles and mounting types, consult the factory.
- Unless otherwise specified, tolerances on decimal dimensions are ± .010".
- Specifications contained herein are subject to change without notice.