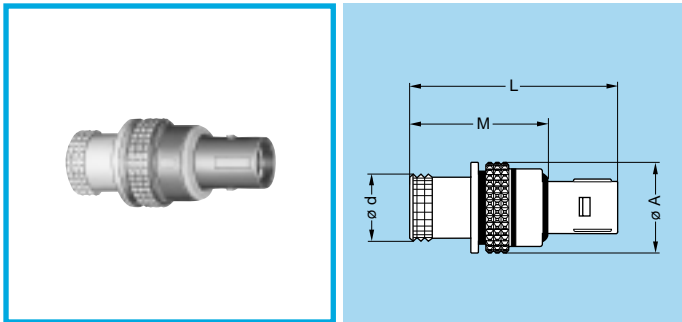
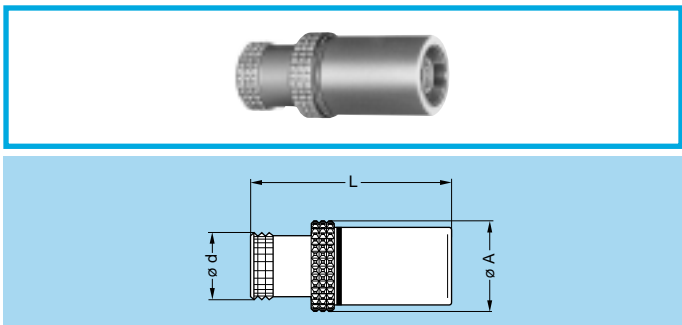


# Models - Series



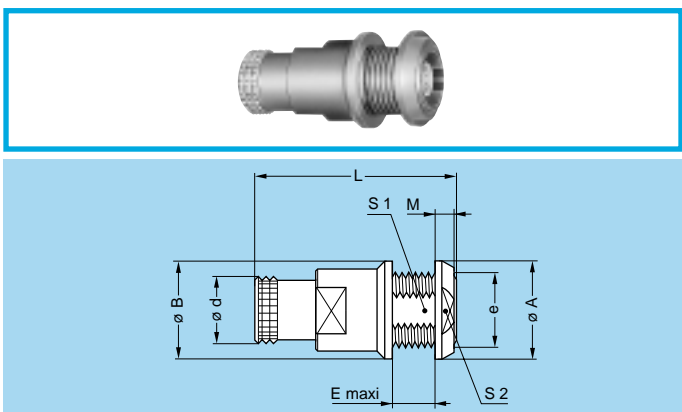
**FGN** Straight plug with keys (code N, P, S, W or X)

Reference		Dimensions (mm)			
Model	Series	A	d	L	M
FGN	0F	12	9.0	27.5	18.0
FGN	1F	14	10.7	27.5	18.1
FGN	2F	17	14.0	27.5	18.2
FGN	3F	19	16.0	27.5	18.2
FGW	4F	26	21.2	30.0	20.8
FGW	5F	35	30.2	30.0	20.8



**PHN** Straight socket with keys (code N, P, S, W or X)

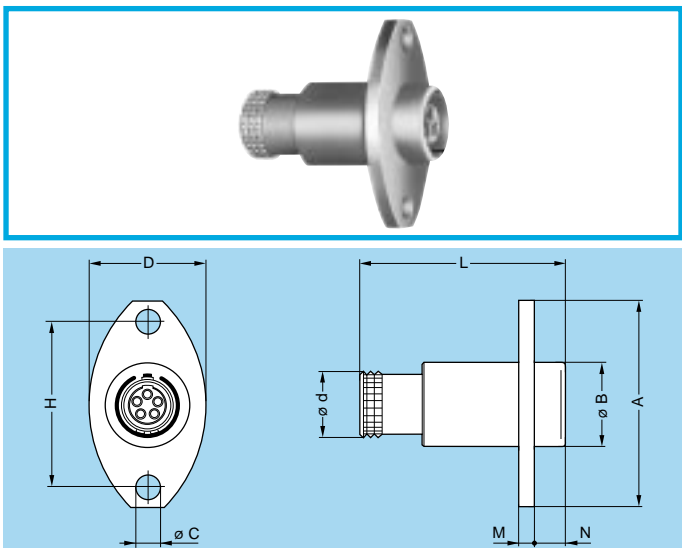
Reference		Dim. (mm)		
Model	Series	A	d	L
PHN	0F	12	9.0	26.7
PHN	1F	14	10.7	26.7
PHN	2F	17	14.0	26.7
PHN	3F	19	16.0	26.7
PHW	4F	26	21.2	26.7
PHW	5F	35	30.2	26.7



**PEN** Straight socket, nut fixing, with keys (code N, P, S, W or X), (back panel mounting)

Reference		Dimensions (mm)								
Model	Series	A	B	d	e	E	L	M	S1	S2
PEN	0F	13	13	9.0	M10x0.75	6.0	26.7	2.5	9.0	11
PEN	1F	17	17	10.7	M13x0.75	6.2	26.7	3.2	11.5	14
PEN	2F	20	20	14.0	M16x1.00	6.4	26.7	4.0	14.5	17
PEN	3F	22	22	16.0	M18x1.00	6.4	26.7	4.0	16.5	19
PEW	4F	29	29	21.2	M24x1.00	6.4	26.7	5.0	22.0	25
PEW	5F	38	38	30.2	M33x1.00	6.4	26.7	5.0	31.0	34

**P1** Panel cut-out



**EBN** Straight socket with flange and keys (code N, P, S, W or X), 2 holes fixing

Reference		Dimensions (mm)								
Model	Series	A	B	C	d	D	H	L	M	N
EBN	0F	27	11	3.2	9.0	18	21.4	26.7	2	4
EBN	1F	27	13	3.2	10.7	15	21.4	26.7	2	4
EBN	2F	32	16	3.2	14.0	18	25.9	26.7	2	4
EBN	3F	38	18	3.2	16.0	20	32.5	26.7	2	4
EBW	4F	41	23	3.2	21.2	26	34.8	26.7	2	4
EBW	5F	44	32	3.2	30.2	33	38.2	26.7	2	4

**P2** Panel cut-out