

SPECIFICATIONS

Mechanical

Contact Captivation Force: 10N min.
Durability: 500Cycles min.

Electrical

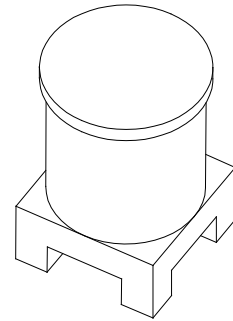
Impedance: 50Ω (Nominal)
Frequency Range: 0~6GHz
Voltage Rating: 175V max.
Dielectrical Withstanding Voltage: 500V min.
Insulation Resistance: 1000MΩ min.

Physical

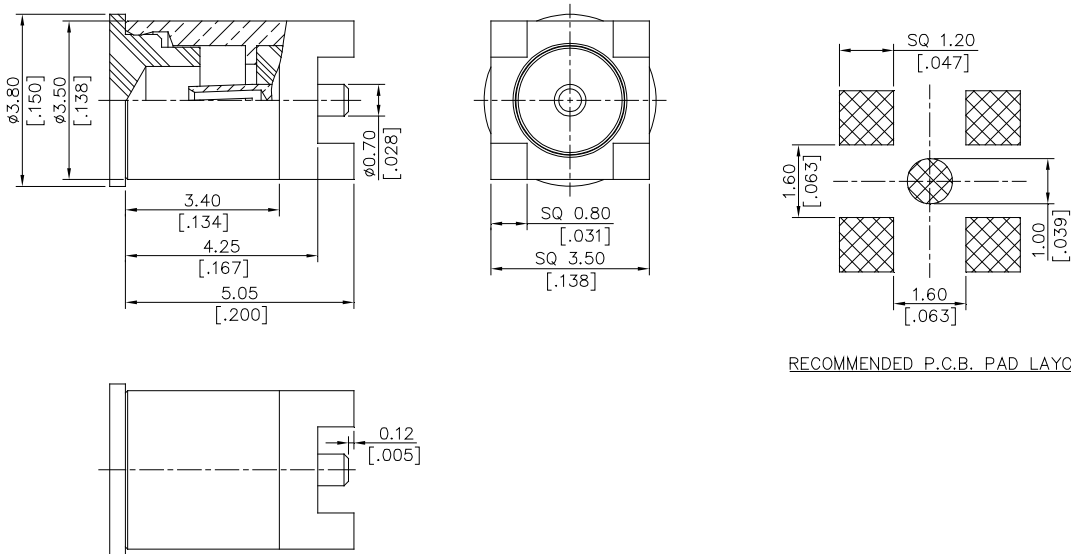
Outer Contact: Copper Alloy
Center Contact: Beryllium Copper
Plating: See "ORDERING INFORMATION"
Operating Temperature: -65°C to +165°C

RF Coaxial Connector

MMCX Series
Straight Jack
For PCB SMT



DRAWING



ORDERING INFORMATION

PRODUCT NO.: **KF93207-1001-7F**

Series Prefix KF=RF Coaxial Connector	Lead Free Code F=Lead Free
Product Type 9=MMCX Series	Package 7=Tape Reel
Configuration 3=S/T Socket	Extension Code
Attachment 2=For PCB SMT	Outer Contact Plating 1=1-3 μ" Gold
Impedance 0=50 Ohm	Center Contact Plating 7=15 μ" Gold