

4

3

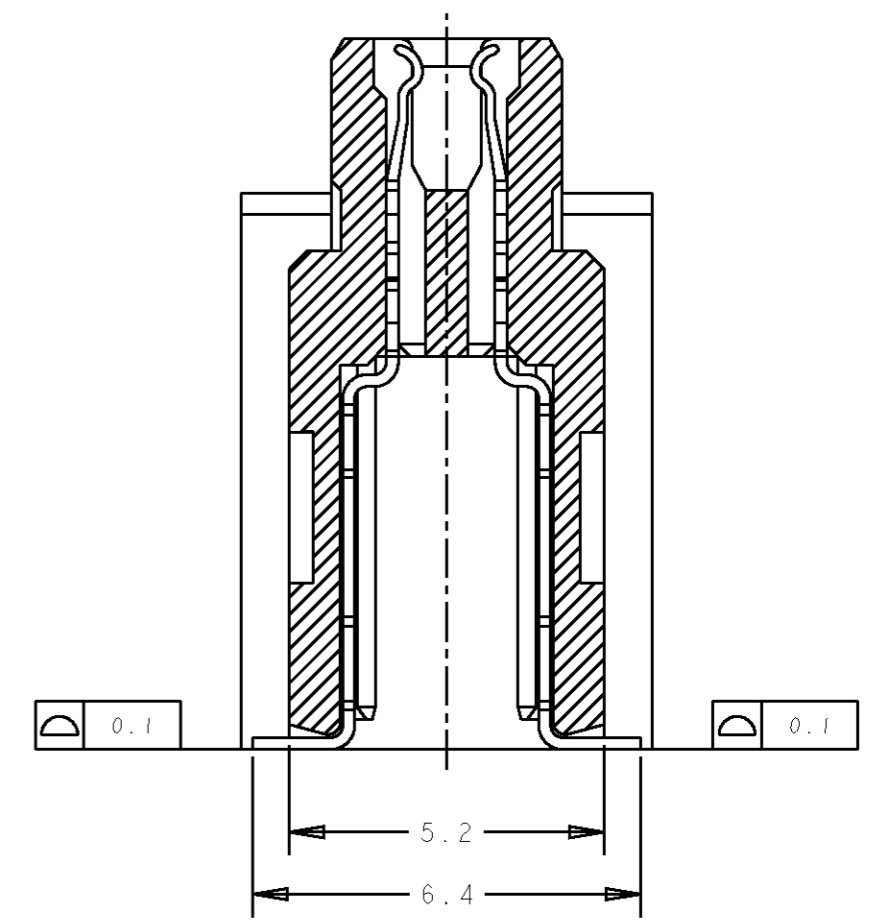
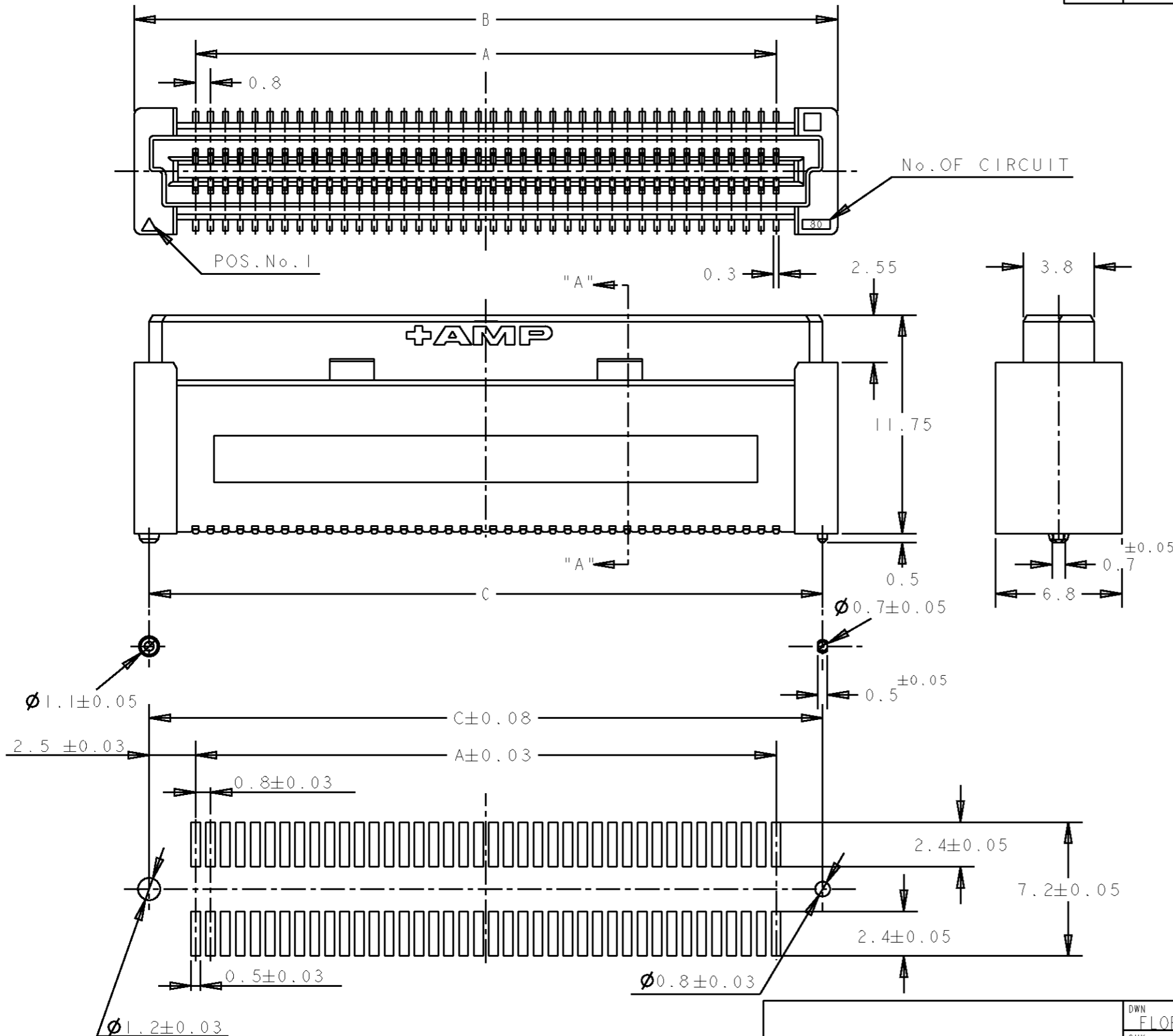
2

1

THIS DRAWING IS UNPUBLISHED. RELEASED FOR PUBLICATION .19 .  
 BY - ALL RIGHTS RESERVED.

LOC DY	DIST -	REVISIONS		
P	LTR	DESCRIPTION	DATE	DWN APVD
P		REVISED PER ECO-11-005139	19MAR11	RK HMR

PROJ NO. 593-312



- NOTES:
- 1 MATERIALS:  
 HOUSING: L.C.P (HIGH TEMP THERMO-PLASTIC)  
 UL 94V-0, NATURAL.  
 CONTACT: COPPER ALLOY.
  - 2 FINISH:  
 ENGAGEMENT AREA: 0.0002 MIN GOLD  
 SOLDERING AREA: 0.0020 MIN MATTE TIN  
 UNDERCOAT: 0.0013 MIN NICKEL ALL OVER
  - 3. POSITION SERIES; SEE TABLE. (SHEET 2)
  - 4. CONN STACK HEIGHT COMBINE OF PLUG "Y"H VS REC "X"H.  
 STACK HEIGHT = Y + X - 5
  - 5 OBSOLETE PARTS: OBSOLETE CIS STREAMLINING PER D.RENAUD/D.SINISI

RECOMMENDED P.C. BOARD LAYOUT

DWN FLORENCE 16AUG04		<b>STE</b> TE Connectivity
CHK ERIC TNG		
APVD SEIFONG		NAME RECEPTACLE ASSEMBLY 13H TYPE FOR FH 0.8mm PITCH B-T-B CONNECTOR
PRODUCT SPEC 108-5390		
APPLICATION SPEC 114-5254		SIZE A3
WEIGHT -		CAGE CODE 00779
CUSTOMER DRAWING		DRAWING NO C-5179010
SCALE 4:1		SHEET 1 OF 2
REV P		

4

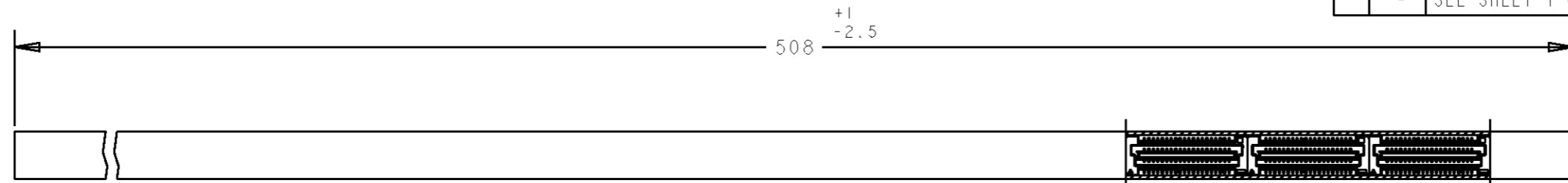
3

2

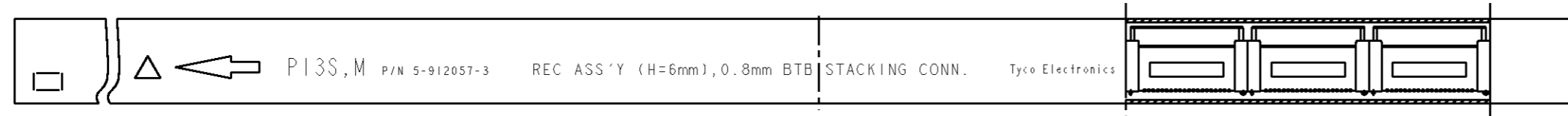
1

THIS DRAWING IS UNPUBLISHED. RELEASED FOR PUBLICATION .19 .  
 BY - ALL RIGHTS RESERVED.

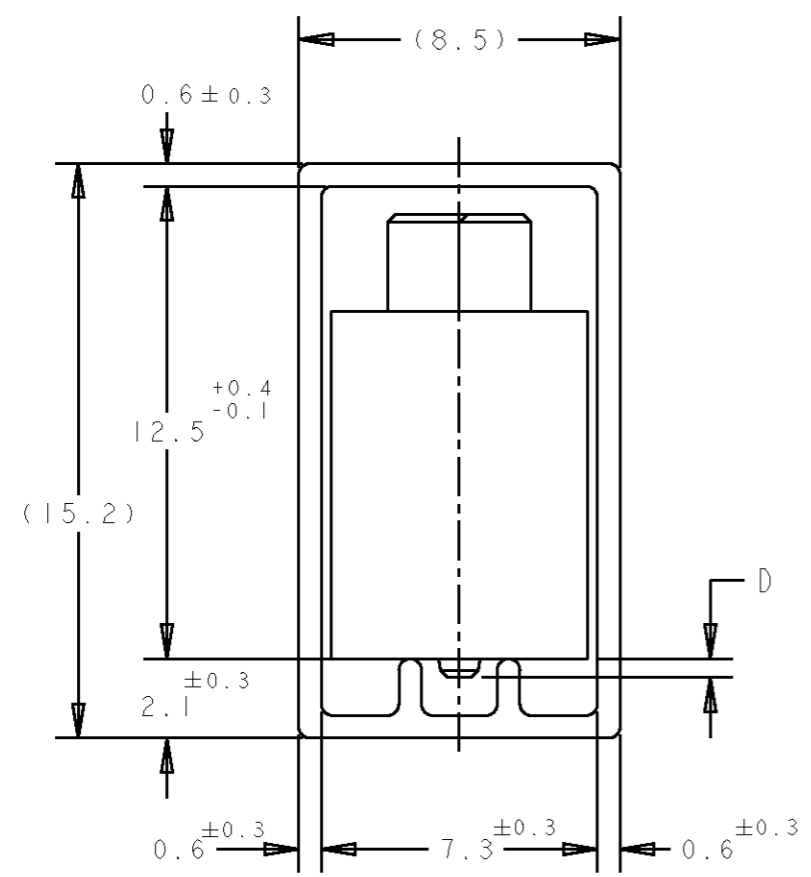
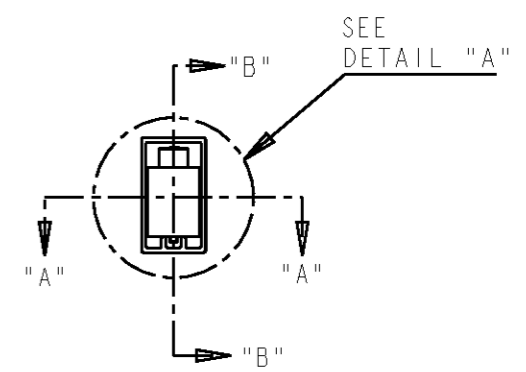
LOC DY	DIST -	REVISIONS			
P	LTR	DESCRIPTION	DATE	DWN	APVD
		SEE SHEET 1 OF 2	-	-	-



SECT "A" - "A"



SECT "B" - "B"



DETAIL "A"  
(SCALE 5-1)

5 OBSOLETE

	84.20	85.80	79.20	200	6-	-0
	76.20	77.80	71.20	180	5-	-9
	68.20	69.80	63.20	160	5-	-8
	60.20	61.80	55.20	140	5-	-6
	52.20	53.80	47.20	120	5-	-5
	44.20	45.80	39.20	100	5-	-4
	36.20	37.80	31.20	80	5-	-3
	28.20	29.80	23.20	60	5-	-2
0.5	20.20	21.80	15.20	40	5-	-1
	84.20	85.80	79.20	200	1-	-0
	76.20	77.80	71.20	180		-9
	68.20	69.80	63.20	160		-8
	60.20	61.80	55.20	140		-6
	52.20	53.80	47.20	120		-5
	44.20	45.80	39.20	100		-4
	36.20	37.80	31.20	80		-3
	28.20	29.80	23.20	60		-2
0.8	20.20	21.80	15.20	40		5179010-1
D	C	B	A	POS.	PART No.	

DWN FLORENCE TAN 16AUG04		<b>STE</b> TE Connectivity	
CHK ERIC TNG			
APVD SEI FONG		NAME RECEPTACLE ASSEMBLY 13H TYPE FOR FH 0.8mm PITCH B-T-B CONNECTOR	
PRODUCT SPEC 108-5390		SIZE A3	CAGE CODE 00779
APPLICATION SPEC 114-5254		DRAWING NO C-5179010	
MATERIAL △		WEIGHT -	
TOLERANCES UNLESS OTHERWISE SPECIFIED: 0 PLC ±- 1 PLC ±0.30 2 PLC ±0.25 3 PLC ±0.20 4 PLC ±- ANGLES ±3°		SCALE 4:1 SHEET 2 OF 2 REV P	
FINISH △		CUSTOMER DRAWING	