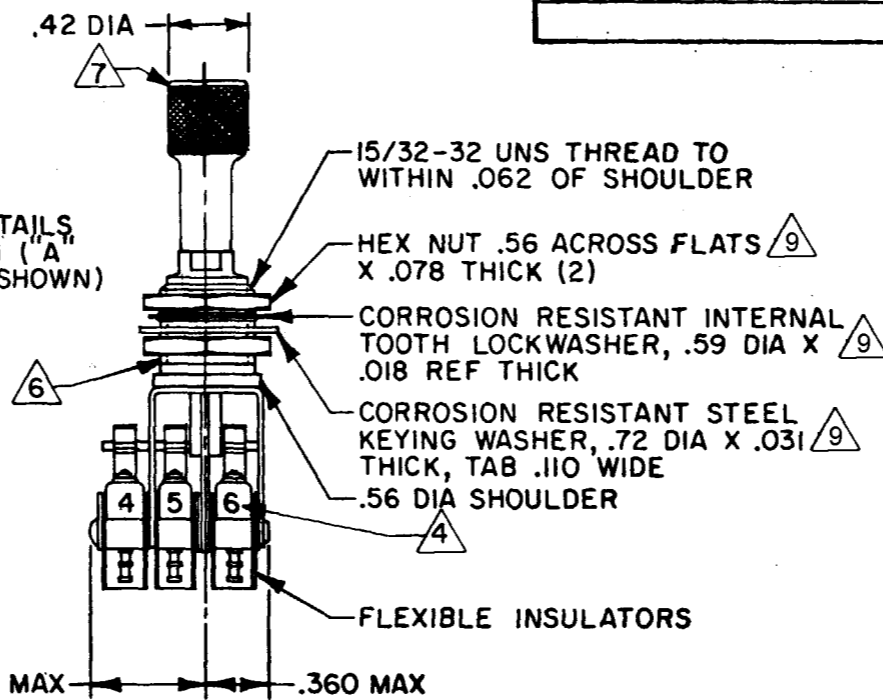
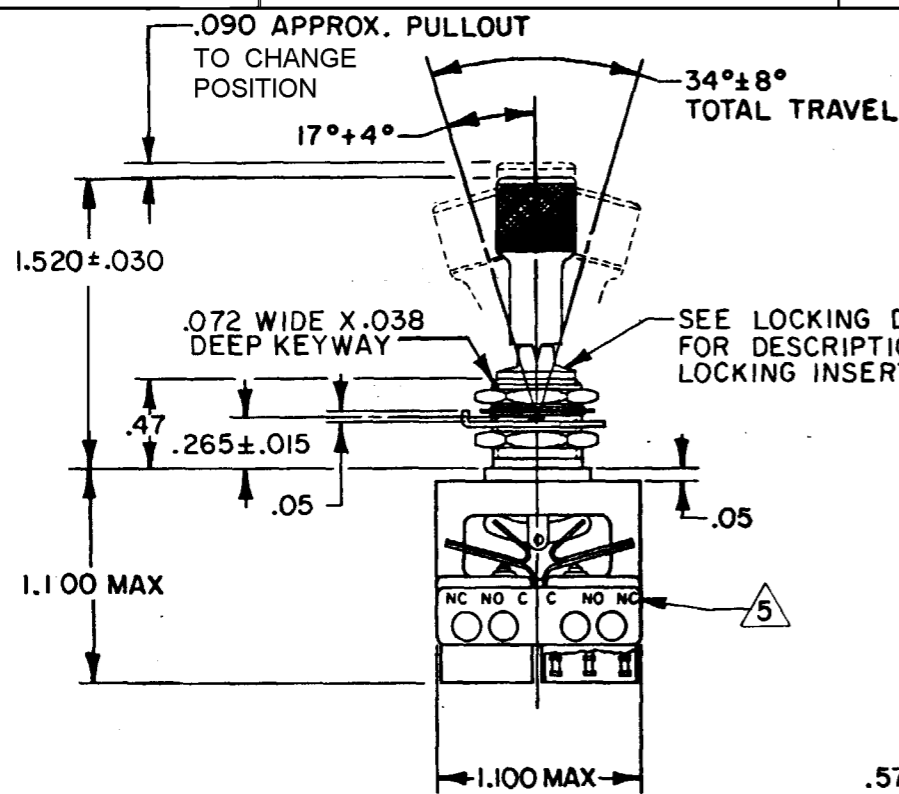


**ASSEMBLY -  
TOGGLE SWITCH**

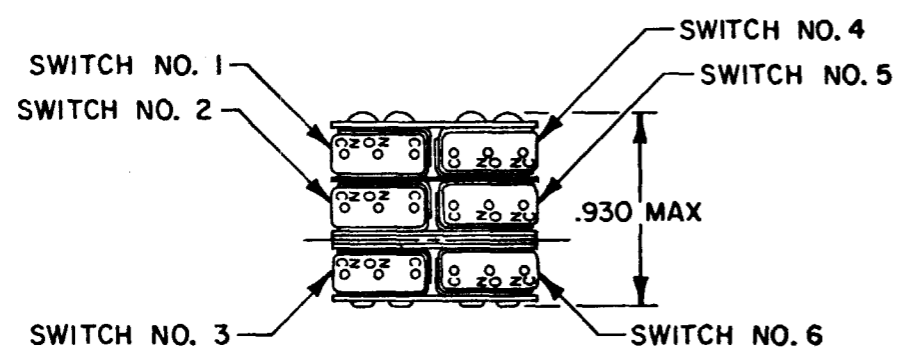
CATALOG LISTING  
**66AT49 SERIES**  
**CHART 2**

CATALOG LISTING	KEYWAY POSITION		CENTER POSITION		OPPOSITE KEYWAY POSITION		RECOMMENDED LOCKING COMBINATIONS
	C-NC	C-NO	C-NO	C-NC	C-NC	C-NO	
66AT49-1	1,2,3	4,5,6	NONE	ALL	4,5,6	1,2,3	A,B,D,E,F,G,H,J,K,L,M,N,P
	1,2,3	4,5,6	NONE	NONE	4,5,6	1,2,3	D,F,G
	1,2,3*	4,5,6*	NONE	ALL	4,5,6	1,2,3	K,N
	1,2,3*	4,5,6*	NONE	ALL	4,5,6*	1,2,3*	E,L,N
	1,2,3	4,5,6	NONE	ALL	4,5,6*	1,2,3*	B,E,G,L,N,P

\* ASTERISK DENOTES MOMENTARY POSITION



"A"	"B"	"D"	"E"
LOCKED IN THREE POSITIONS	LOCKED IN CENTER AND EXTREME POSITION (KEYWAY SIDE)	LOCKED OUT OF CENTER POSITION	LOCKED IN CENTER POSITION
"F"	"G"	"H"	"J"
LOCKED IN EXTREME POSITION (OPPOSITE KEYWAY)	LOCKED IN EXTREME POSITION (KEYWAY SIDE)	LOCKED OUT OF CENTER AND EXTREME POSITION (KEYWAY SIDE)	LOCKED OUT OF CENTER AND EXTREME POSITION (OPPOSITE KEYWAY)
"K"	"L"	"M"	"N"
LOCKED IN CENTER AND EXTREME POSITION (OPPOSITE KEYWAY)	LOCKED OUT OF EXTREME POSITION (KEYWAY SIDE)	LOCKED OUT OF AND INTO EXTREME POSITION (OPPOSITE KEYWAY)	LOCKED OUT OF EXTREME POSITION (OPPOSITE KEYWAY)
"P"			
	LOCKED OUT OF AND INTO EXTREME POSITION (KEYWAY SIDE)		



- NOTES**
- UNIT INCLUDES "SX" TYPE BASIC SWITCH (6) (MEETS REQUIREMENTS OF MIL-S-6743)
  - SWITCHES DO NOT NECESSARILY OPERATE SIMULTANEOUSLY
  - TERMINALS ARE PLATED FOR SOLDERING
  - SWITCH NUMBERS STAMPED ON END OF BASIC SWITCHES
  - TERMINAL DESIGNATION STAMPED ON BOTH SIDES OF UNIT
  - DULL FINISH ON BUSHING
  - LUSTERLESS WHITE IN ACCORDANCE WITH FED. STD. 595A COLOR NO. 37875
  - SUFFIX LETTER MUST BE ADDED FOR DESIRED TYPE TOGGLE LOCKING (SEE CHART FOR RECOMMENDED LOCKING COMBINATIONS)
  - HARDWARE FURNISHED ASSEMBLED WITH SWITCH OR IN PACKET PER MIL-PRF-8805
  - REPLACEMENT MOUNTING HARDWARE PACKET 15PA313-AT

CATALOG LISTING  
**66AT49 SERIES CHART 2**  
PAGE 1 OF 1  
REPLACES PR-8682  
RELEASE NO.  
CHECK  
ISSUE 5

REVISIONS  
A 207070  
TSM 6 JAN 03  
CHECK  
6 JAN 03  
SAV  
CHECK  
6 JAN 03  
RASTER DRAWN

THIS DRAWING COVERS A PROPRIETARY ITEM AND IS THE PROPERTY OF MICRO SWITCH, A DIVISION OF HONEYWELL. THIS DRAWING IS NOT TO BE COPIED OR USED WITHOUT THE APPROVAL OF MICRO SWITCH		THIRD ANGLE PROJECTION
<b>CHARACTERISTICS</b>	<b>ELECTRICAL DATA</b>	SCALE FULL
PULLOUT FORCE -- 3 LB MIN - 5 LB MAX	CONTACT ARRANGEMENT SPDT (6)	DO NOT SCALE PRINT
		UNLESS OTHERWISE SPECIFIED TOLERANCES ARE
		ONE PLACE (.0) ±.030
		TWO PLACE (.00) ±.015
		THREE PLACE (.000) ±.005
		ANGLES ±
		WEIGHT .09 LB EST

VOLTS	CYCLE	INRUSH AMPERES		AMPERES SEA LEVEL				AMPERES 50,000 FT.			
		NC	NO	RES	IND	MOTOR	LAMP	RES	IND	MOTOR	LAMP
28	DC	24	24	7	4	4	2.5	7	2.5	4	2.5
115	400	20	20	7	7	3.3	2	7	7	3.3	2
250	60	20	20	7	7	3.3	2	7	7	3.3	2

NOTE: INDUCTIVE LOADS: 28 VDC USE AN3179-6 INDUCTOR, 115 VAC AT 75% PF