



8TA Connector



Features & Benefits

- Rugged aluminium body to ensure long service life in the harshest environment
- Compact low profile derived from MIL-DTL-38999 Series 2
- 6 gold plated #22D contacts
- Environment sealing from interfacial seal and rear grommet
- Positive locking mechanism with locked colour indicators 3 keyway orientations
- Boot termination feature
- Conductive black zinc plating

Technical characteristics

Mechanical

- | | |
|------------------------|--|
| • Shell | Aluminium alloy |
| • Shell plating | Conductive black zinc |
| • Insulator | Thermoplastic |
| • Seal | Liquid silicone rubber |
| • Contact | Copper alloy |
| • Contact plating | Gold |
| • Endurance | 500 matings/unmatings |
| • Shock resistance | 300 g for 3 ms and EIA-364-27 |
| • Vibration resistance | random 100 to 1000 Hz - 1 g ² /Hz |
| • Contact retention | 45 N |

Electrical

- | | |
|-------------------------|------------------------|
| • Test voltage | 1300 Vrms (sea level) |
| • Contact resistance | <14.6 mΩ |
| • Insulation resistance | ≥ 5000 MΩ (at 500 Vdc) |
| • Contact rating | 5 A |
| • Shell continuity | <60 mΩ |

Climatic

- | | |
|----------------------------|------------------------------------|
| • Temperature range | -55°C to +175°C |
| • Sealing mated connectors | IP67 (1 metre for 30 min. minimum) |
| • Salt spray | 48 hours |



8TA Connector

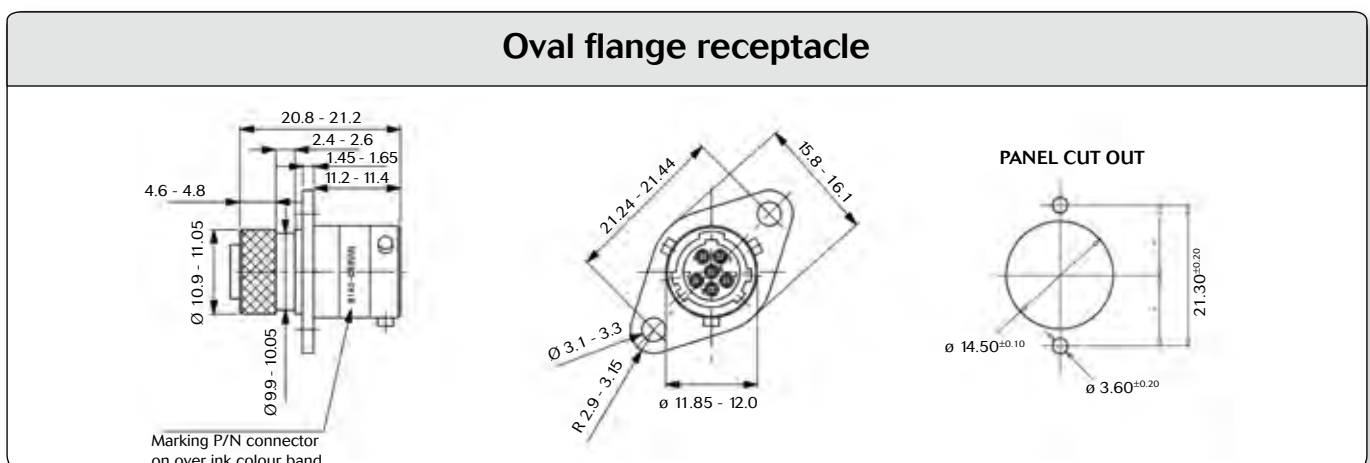
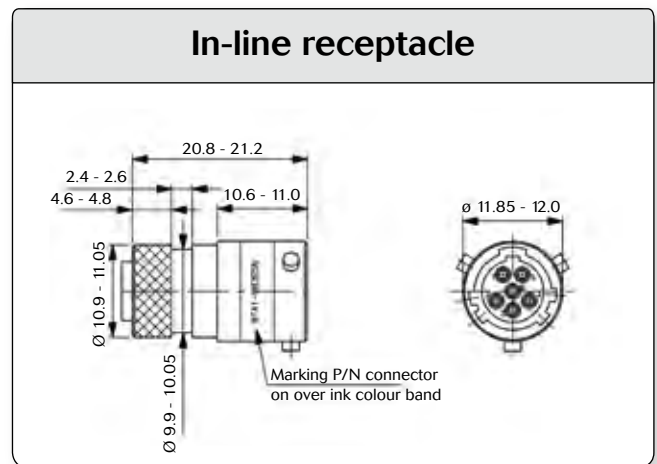
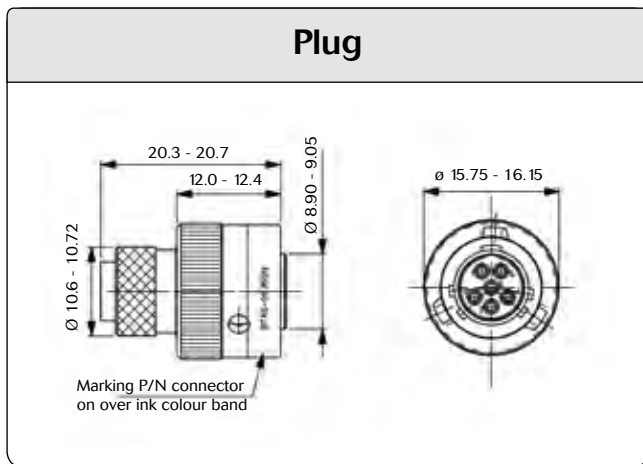
How to order

Basic series	8TA	0	08	35	P	N
Shell style	0: Oval flange receptacle (for front or rear mounting) 1: In-line receptacle 6: Plug 7: Jam nut receptacle					
Shell size	08					
Layout	35 (6 contacts size 22D)					
Type of contact	P: Pin contacts S: Socket contacts					
Orientation	N: Red / A: Yellow / D: Green					

Protective cap

Basic series	8TA	8	08
Shell style	8: Plug protective cap 9: Receptacle protective cap		
Shell size	08		

Range presentation

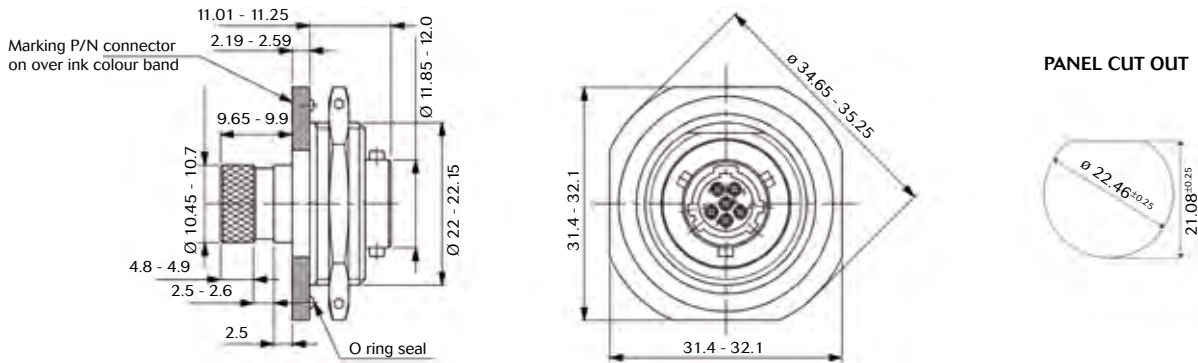


Note : all dimensions are in mm

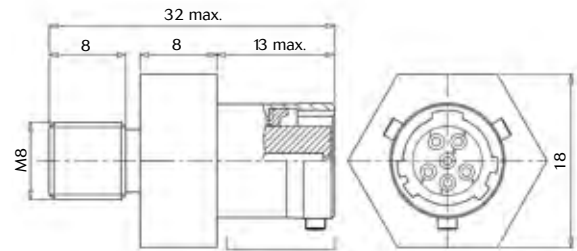


8TA Connector

Jam nut receptacle



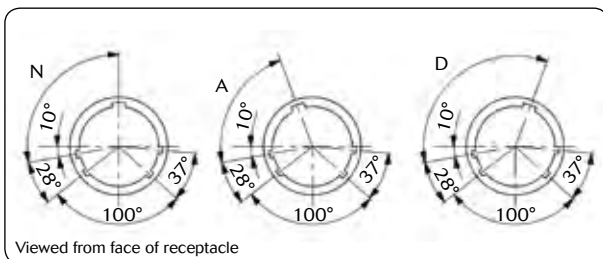
Grounded receptacle



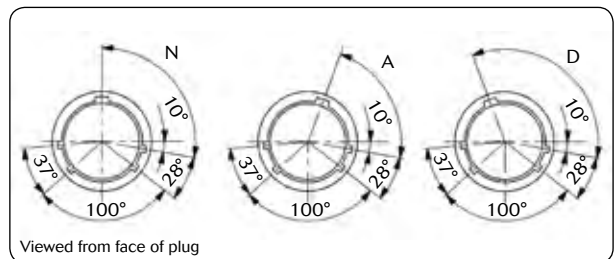
Connecting interface compliant with 8TA0

Please consult us for more information

Orientation



Viewed from face of receptacle



Viewed from face of plug

Key positions	Alpha 1	Colour band
N	100°	Red
A	82°	Yellow
D	118°	Green




8TA Connector

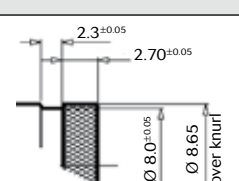
Contacts


Crimped contacts									
Contact size	Contact type	Contact Ø max.	Part numbers	Admissible wire section				External dia. over insulation (mm)	
				AWG		mm ²		Min.	Max.
Crimp contact				Min.	Max.	Min.	Max.		
22D signal contact	Male	0.76	8599-0702 JJ	28	22	0.095	0.38	0.71	1.37
	Female		8599-0710 900						

Crimping tools						
Contact size	Type	Wire sizes	Locator part number		Tool part number	
			Spec.	SOURIAU	Spec.	SOURIAU
22D	Male	22 to 28	M22520/2-09	8476-09	M22520/2-01	8476-01
	Female		M22520/2-06	8476-06		

Accessories

Insertion & extraction tool					
	Contact size	Part numbers		Colour	
		Spec.	SOURIAU	Insertion	Extraction
	22D	M81969/14-01	-	Green	White

Shrinkable termination detail


Filler plug				
 Direction of insertion →	Contact size	Part numbers		Colour
		Spec.	SOURIAU	
	22D	MS27488-22	8660-212	Black