



Inductive Ferrite Components

Power Supply for ISDN
AC/DC Converter

Data Sheet



<http://www.epcos.com>

Application

- Matched to Infineon SIPB 20233

Features

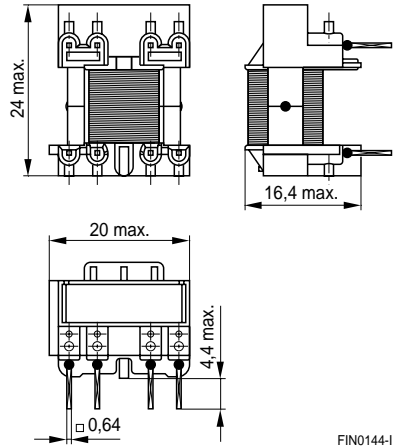
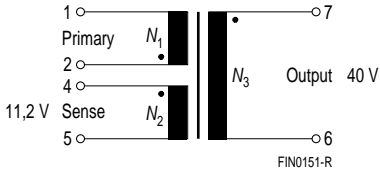
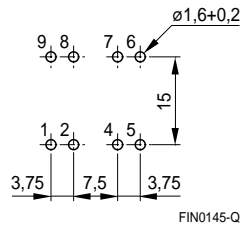
- Reinforced insulation
- Design acc. to EN 60950
- Creepage path = 8 mm
- Clearance path = 4 mm

Marking

- Manufacturer, middle block of ordering code, date code

Packing

- Polyfoam tray (ESD)
- Packing unit: 250 pcs.


Layout

Recommended hole arrangement

Technical data

| | | |
|---------------|------------|-----------------------------|
| Ordering code | | B78310-P1583-A5 |
| Type/Core | | EF 16 |
| N1 : N2 : N3 | | 1 : 0,125 : 0,417 |
| L_1 | [μ H] | $323 \pm 20 \%$ |
| P_{max} | [W] | 12 ¹⁾ |
| f | [kHz] | 240 ¹⁾ |
| V_{in} | [kVdc] | 0,11 ... 0,35 ¹⁾ |
| V_P | [kVac] | 3 ¹⁾ |

1) typical value

Published by EPCOS AG

Marketing Communications, P.O. Box 80 17 09, 81617 Munich, GERMANY

© EPCOS AG 2001. All Rights Reserved. Reproduction, publication and dissemination of this brochure and the information contained therein without EPCOS' prior express consent is prohibited.

The information contained in this brochure describes the type of component and shall not be considered as guaranteed characteristics. Purchase orders are subject to the General Conditions for the Supply of Products and Services of the Electrical and Electronics Industry recommended by the ZVEI (German Electrical and Electronic Manufacturers' Association), unless otherwise agreed.

This brochure replaces the previous edition.

For questions on technology, prices and delivery please contact the Sales Offices of EPCOS AG or the international Representatives.

Due to technical requirements components may contain dangerous substances. For information on the type in question please also contact one of our Sales Offices.