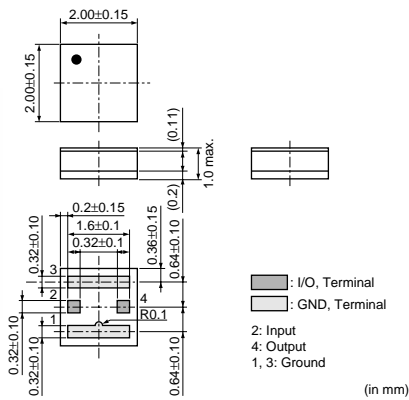
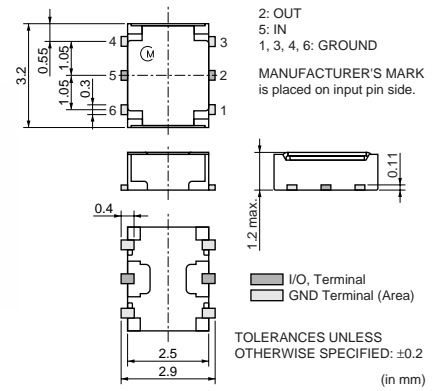


Isolators

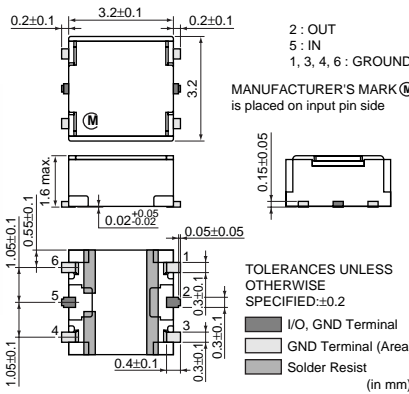
CEG23 Series



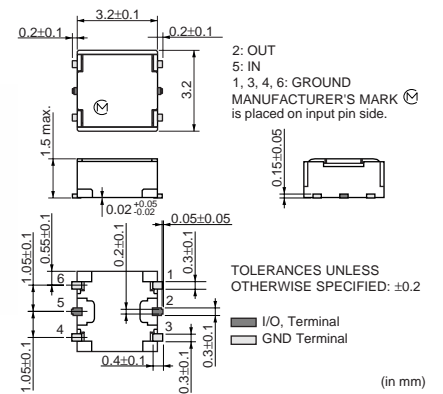
CES20 Series



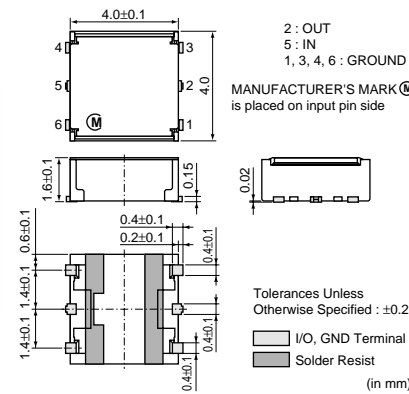
CES30 Series



CES32 Series



CES40 Series



Note • This PDF catalog is downloaded from the website of Murata Manufacturing co., Ltd. Therefore, it's specifications are subject to change or our products in it may be discontinued without advance notice. Please check with our sales representatives or product engineers before ordering.
• This PDF catalog has only typical specifications because there is no space for detailed specifications. Therefore, please approve our product specifications or transact the approval sheet for product specifications before ordering.

Part Number	Fo (MHz)	IL at BW (max.) (dB)	Isolation (min.) (dB)	Rating Power (max.) (W)
CEG23836MDCB000	836.5	0.65	10	1.2
CEG23874MFCB000	874.5	0.75	3.5	1.2
CEG23897MDCB000	897.5	0.68	9	1.2
CEG23911MDCB000	911.5	0.65	10	1.2
CEG231G73DCB100	1732.5	0.65	10	1.2
CEG231G76CCB100	1767.4	0.65	10	1.2
CEG231G88DCB100	1880	0.65	10	1.2
CEG231G95DCB100	1950	0.65	10	1.2
CES201G90CCB000	1900	0.6	13.5	2.5
CES202G01BCB000	2017.5	0.62	13.5	2.5
CES202G59ECB000	2592.5	0.9	6	2.5
CES301G74DCB000	1747.5	0.74	10.5	2.5
CES301G76CCB000	1765	0.7	12	2.5
CES301G84DCB000	1842.5	0.68	11	2.5
CES301G88DCB000	1880	0.64	13	2.5
CES301G90CCB000	1900	0.62	14.5	2.5
CES301G95DCB000	1950	0.6	13	2.5
CES301G96DCB000	1960	0.6	13	2.5
CES302G14DCB000	2140	0.62	13	2.5
CES321G95ECB000	1952.5	0.80	9.0	2.5
CES40836MDCB000	836.5	0.75	10.5	2.5
CES40881MDCB000	881.5	0.73	10	2.5
CES40897MDCB000	897.5	0.75	10	2.5
CES40906MDCB000	906	0.78	10	2.5
CES40942MDCB000	942.5	0.85	10	2.5