

REVISION RECORD				
REV	ECD	DESCRIPTION	DRFT	CHKD
△		ADD P/N	yican 11/21/05	
△	3	ADD P/N	SWEEP 11/21/05	

NOTE:

Characteristics Description:

1. RJ45 10/1000 Base-Tx Transformer Jack With Transformer/ Impedance Resistor/High Voltage Capacitor.
2. Size Same As RJ-45 Modular Jack To Save PCB Board Space.
3. Reduce EMI Radiation, Improve EMI Performance.
4. Designed For Network Interface Card Application.
5. Designed To Meet IEEE 802.3u Requirement.
6. Designed For 1000 Base Transmission over UTP-5 Cable.
7. Operation Temperature Range: 0°C To 70°C

MECHANICAL:

1. HOUSING MATERIAL : FR52 UL94V-0.
: BLACK COLOR.
2. INSERT MATERIAL : GLASS FILLED POLYESTER FR50 UL94V-0.
: BLACK COLOR.
3. PLATE MATERIAL : GLASS FILLED POLYESTER FR50 UL94V-0.
: BLACK COLOR.
4. COVER MATERIAL : GLASS FILLED POLYESTER FR50 UL94V-0.
: BLACK COLOR.
5. TRANSFORMER PCB MATERIAL : FR-4.
: GREEN COLOR.
6. RJ CONTACT MATERIAL : PHOSPHOR BRONZE t=0.35mm C5210EH.
7. RJ JOINT CONTACT MATERIAL : PHOSPHOR BRONZE t=0.30mm C5191EH
8. SHIELD MATERIAL : T=0.20mm BRASS C2680 H.
: NICKEL PLATED OVER BRASS.
9. PLATING : 1: CONTACT AREA- SELECTIVE GOLD PLATING.
: 2: TAILS TIN OVER NICKEL.
10. OPERATING LIFE : 750 CYCLES MIN.
11. PCB RETENTION PRE-SOLDER : 1 LB MIN.
12. PCB RETENTION POST-SOLDER: 10 LBS MIN.
13. LED COLOR : OPTION.



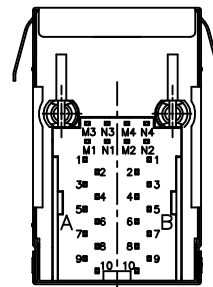
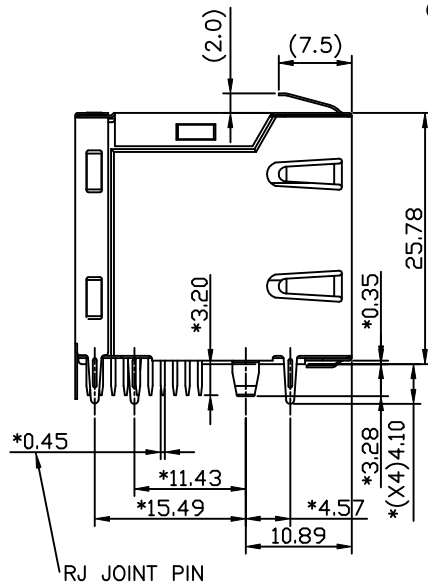
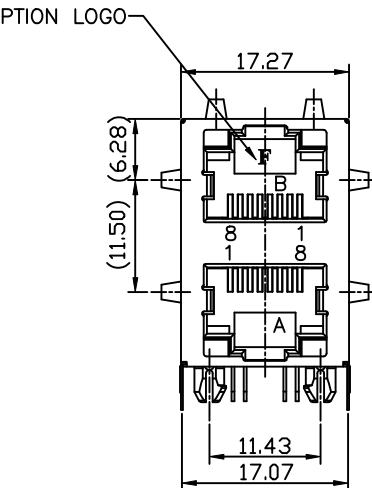
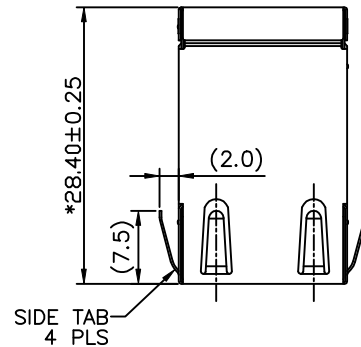
ENVIRONMENTAL:

1. STORAGE : -40°C TO +85°C.
 2. OPERATION: 0°C TO +70°C.
 3. WAVE SOLDERING TEMPERATURE: 230~250° (3~5 SECONDS)
- MATES WITH MODULAR PLUG CONFORMING TO
FCC PART 68, SUBPART F.
UL & CUL FILE NO. E163191

△ ROHS PART NUMBER: E5TAB-GAXXX-L

- S5-LED1&LED3:YELLOW;LED2&LED4:G+O
S6-LED1&LED3:YELLOW;LED2&LED4:GREEN
GW-LED1&LED3:GREEN;LED2&LED4:G+Y
GT-LED1&LED3:G+Y;LED2&LED4:GREEN
△ JF-LED1&LED3:ORANG;LED2&LED4:G+O

Gold Thickness:
1- 3u" 2- 6u" 3-15u"
4-30u" 5-50u"
0-W/O LOGO
1-W/"F" LOGO



MM (INCH)		DFTD SUNLL	DATE 01/20/05	FULL RISE ELECTRONIC CO., LTD	
TOLERANCES EXCEPT AS NOTED		CHKD TIRRY	DATE 2005/11/11	TITLE	
		MFD	DATE	2X1 TRANSFORMER LED GIGA JACK	
		APPV LARTHUR	DATE 2005/11/11	DRAWING NO. GEST3211-LB	
				/PART NO. SEE NOTE	
MATERIAL :		MATERIAL :		SIZE A3	
ANGLES ±		QT'Y :		REV 2	
THIRD ANGLE PROJECTION		FINISH:		11/05/05	
		SCALE : 20:11		SHEET 1 OF 4	
		DO NOT SCALE DRAWING			

REVISION RECORD				
REV	ECD	DESCRIPTION	DRFT	CHKD
⚠		ADD P/N	y/can 11/21/05	
⚠	3	ADD P/N	SWEET 11/05/05	

LED COLOR FOR PART NUMBER:

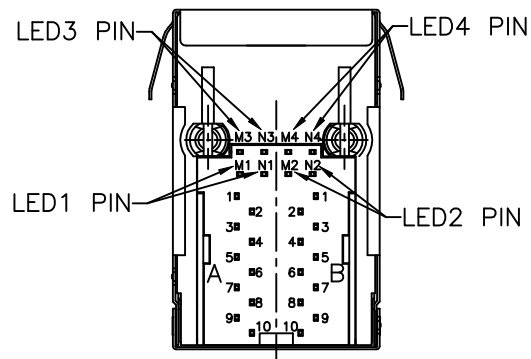
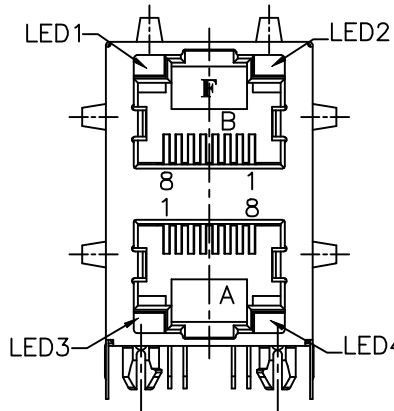
PART NUMBER	LED1 COLOR		LED2 COLOR	
E5TAB-GAGTXX	M1(+)	GREEN	M2(+)	GREEN
	N1(-)			
	M1(-)	YELLOW	N2(-)	GREEN
	N1(+)			
	LED3 COLOR		LED4 COLOR	
	M3(+)	GREEN	M4(+)	GREEN
N3(-)				
M3(-)	YELLOW	N4(-)	GREEN	
N3(+)				

PART NUMBER	LED1 COLOR		LED2 COLOR	
E5TAB-GAGWXX	M1(+)	GREEN	M2(+)	GREEN
	N1(-)			
	M1(-)	YELLOW	N2(-)	GREEN
	N1(+)			
	LED3 COLOR		LED4 COLOR	
	M3(+)	GREEN	M4(+)	GREEN
N3(-)				
M3(-)	YELLOW	N4(-)	YELLOW	
N3(+)				

PART NUMBER	LED1 COLOR		LED2 COLOR	
E5TAB-GAS5XX	M1(+)	YELLOW	M2(+)	GREEN
	N1(-)			
	M1(-)	ORANGE	N2(-)	ORANGE
	N1(+)			
	LED3 COLOR		LED4 COLOR	
	M3(+)	YELLOW	M4(+)	GREEN
N3(-)				
M3(-)	ORANGE	N4(-)	ORANGE	
N3(+)				

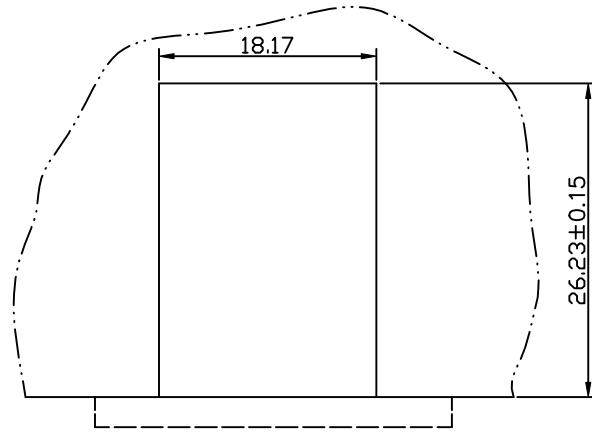
PART NUMBER	LED1 COLOR		LED2 COLOR	
E5TAB-GAJFXX	M1(+)	ORANGE	M2(+)	GREEN
	N1(-)			
	M1(-)	ORANGE	N2(-)	ORANGE
	N1(+)			
	LED3 COLOR		LED4 COLOR	
	⚠	ORANGE	M4(+)	GREEN
M3(+)	ORANGE	N4(-)	ORANGE	
N3(-)				
M3(-)	ORANGE	N4(+)	ORANGE	
N3(+)				

PART NUMBER	LED1 COLOR		LED2 COLOR	
E5TAB-GAS6XX	M1(+)	YELLOW	M2(+)	GREEN
	N1(-)			
	M1(-)	GREEN	N2(-)	GREEN
	N1(+)			
	LED3 COLOR		LED4 COLOR	
	M3(+)	YELLOW	M4(+)	GREEN
N3(-)				
M3(-)	GREEN	N4(-)	GREEN	
N3(+)				

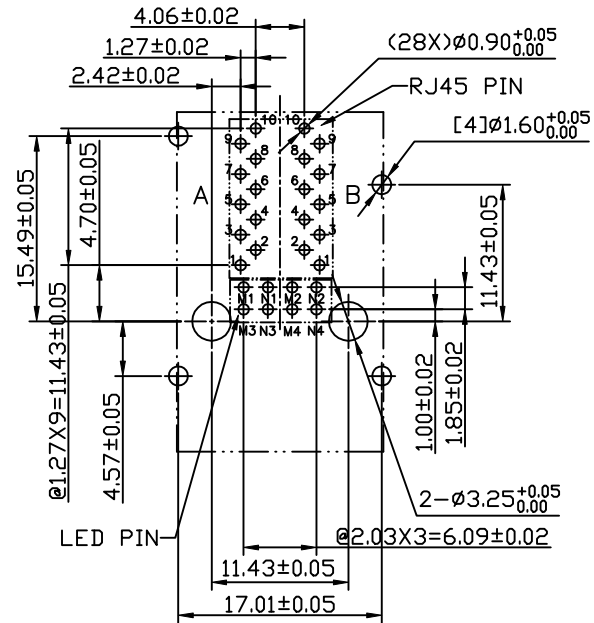


DETACHED LISTS	MM (INCH)		DFTD SUNLL	DATE 01/20/05	FULL RISE ELECTRONIC CO., LTD
	TOLERANCES EXCEPT AS NOTED		CHKD TIRRY	DATE 2005/11/11	
			MFD	DATE	
			APPVL ARTHUR	DATE 2005/11/11	
			MATERIAL		
		ANGLES ±	QTY :	TITLE	
		THIRD ANGLE PROJECTION	FINISH:	2X1 TRANSFORMER LED GIGA JACK	
		SCALE : 20:09	DRAWING NO. GEST3211-LB		SIZE
			/PART NO. SEE NOTE		A3
			DO NOT SCALE DRAWING		REV 2
			SHEET 2		11/05/05
			OF 4		

REVISION RECORD				
REV	ECD	DESCRIPTION	DRFT	CHKD
△		ADD P/N	y/can 11/21/05	
△	3	ADD P/N	SVEEP 11/05/05	



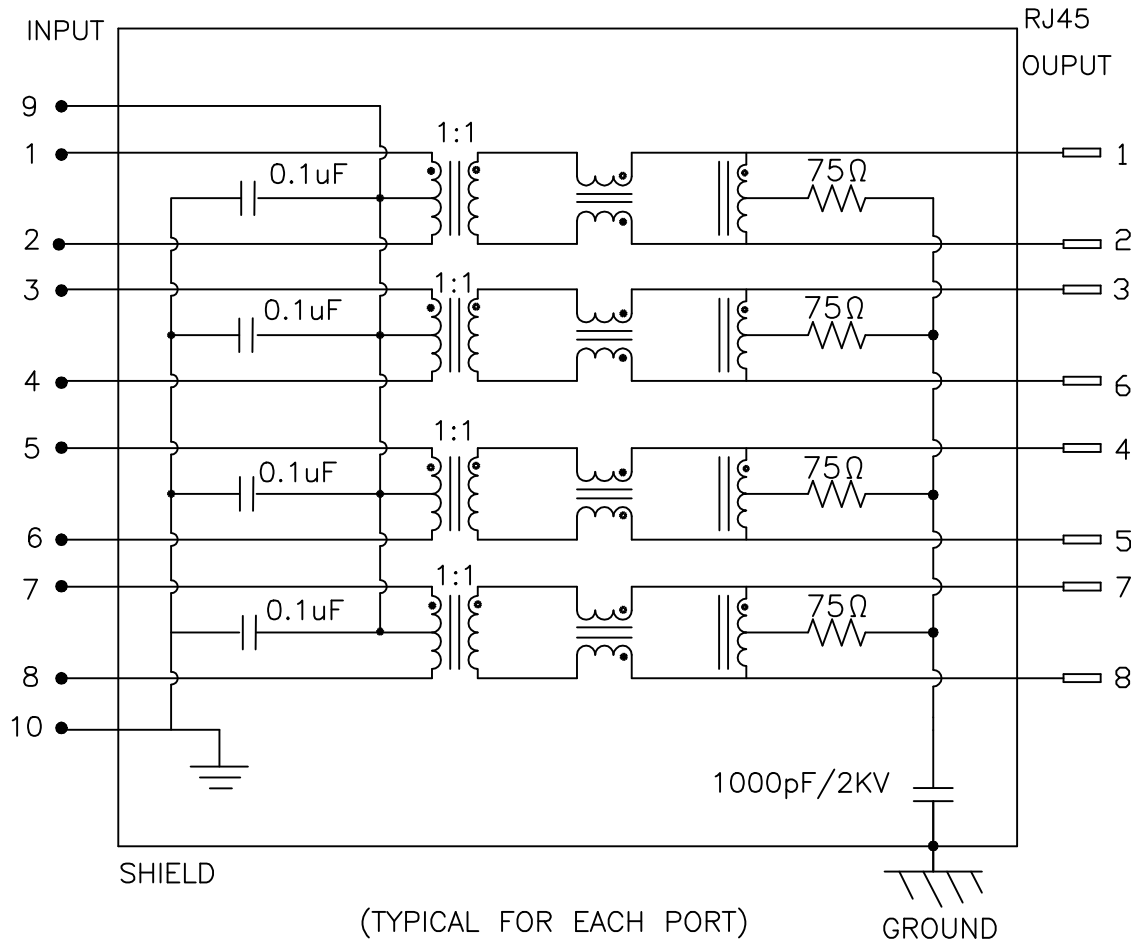
RECOMMENDED PANEL CUT-OUT



PC Board Layout
Component Side Shown

MM (INCH)		DFTD SUNLL CHKD TIRRY MFD	DATE 01/20/05 DATE 2005/11/11 DATE	FULL RISE ELECTRONIC CO., LTD	
TOLERANCES EXCEPT AS NOTED		APPV LARTHUR	DATE 2005/11/11		
.0 ± 0.20 .00 ± 0.15 .000 ± 0.075	± ± ±	MATERIAL :		2X1 TRANSFORMER LED GIGA JACK	
ANGLES ±		QTY :		DRAWING NO. GEST3211-LB	
 THIRD ANGLE PROJECTION		FINISH:		/PART NO. SEE NOTE	
		SCALE : 20:09		DO NOT SCALE DRAWING	
				SIZE A3	REV 2 11/05/05
				SHEET 3	OF 4

REVISION RECORD				
REV	ECO	DESCRIPTION	DRFT	CHKD
△		ADD P/N	yicon 10/21/05	
△	3	ADD P/N	SWEEP 10/21/05	



NOTE:

1. Transmitter filter & Receiver filter
 Type : Balance low pass 100 OHM impedance
 Insertion loss : 1~100MHZ-1.0dB Max
 Return : 1~30MHZ-18dB MIN. load 100 OHM
 30~60 MHZ-16dB MIN. load 100 OHM
 60~80 MHZ-12dB MIN. load 100 OHM
 80~100 MHZ-10dB MIN. load 100 OHM
2. Common Mode Rejection
 @1~100 MHZ-30dB MIN.
3. Cross Talk
 @1~100 MHZ-25dB MIN.
4. Inductance @ 100KHz, 0.1V, 8mA DC BIAS
 Input(2-1), Input(4-3): 350 uH MIN.
 Input(6-5), Input(8-7): 350 uH MIN.
5. Hipot TEST
 Input(1-2) to Output(1-2) : 1500VAC, 60 sec
 Input(3-4) to Output(3-6) : 1500VAC, 60 sec
 Input(5-6) to Output(4-5) : 1500VAC, 60 sec
 Input(7-8) to Output(7-8) : 1500VAC, 60 sec

2x1 LED JACK TRANSFORMER TYPE: "A" TYPE

MM (INCH)		DFTDSUNLL	DATE 01/20/05	FULL RISE ELECTRONIC CO., LTD	
TOLERANCES EXCEPT AS NOTED		CHKD TIRRY	DATE 2005/11/1		
.0 ± 0.15 .00 ± 0.075 .000 ± 0.05		MFD	DATE	TITLE	
ANGLES ±		APPVL-ARTHUR	DATE 2005/11/1	2X1 TRANSFORMER LED GIGA JACK	
 THIRD ANGLE PROJECTION		QTY :	FINISH:	DRAWING NO. GE5T3211-LB	SIZE
		SCALE : 20:7		/PART NO. SEE NOTE	A3
				DO NOT SCALE DRAWING	REV 2
				SHEET 4	OF 4