

6 mm Square Long Travel SMD Light Touch Switches

Type: **EVQP0/EVQP1/EVQ9P**



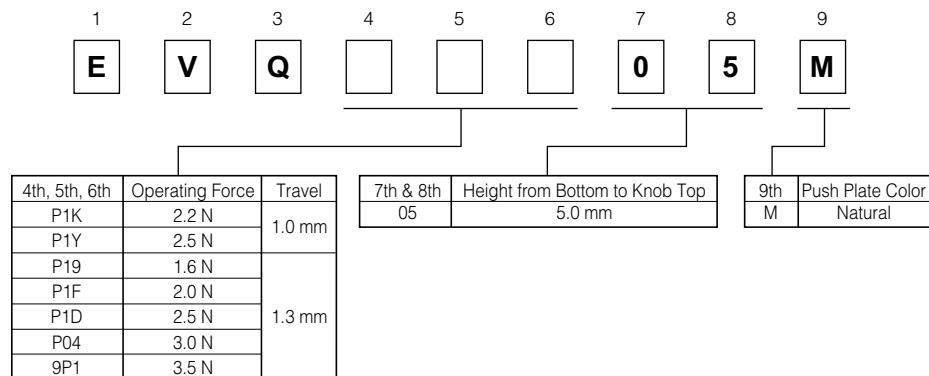
■ Features

- External dimensions : 6.0 mm×6.1 mm, Height 5.0 mm
(Including the push plate)
- Steady and low contact resistance (100 mΩ max.)
- Excellent solderability (J-bent-type terminals)

■ Recommended Applications

- Operating switches for car electronic equipment.
- Input on operating switches for telephones, electronic musical instruments, etc.

■ Explanation of Part Numbers



■ Specifications

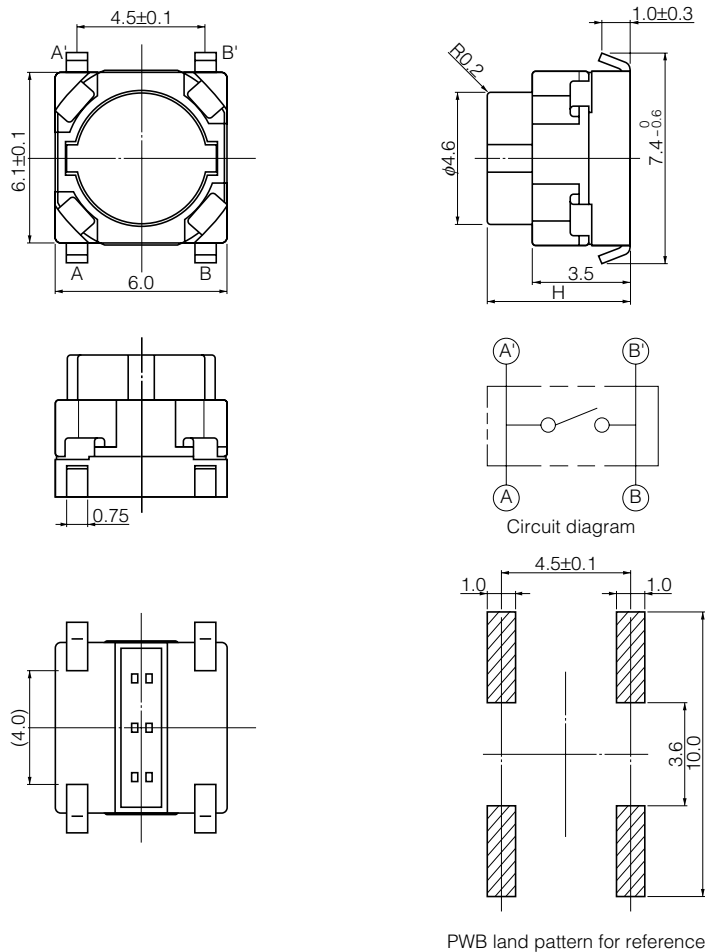
| | | | |
|-------------------------------|---------------------------------|--|----------------------------|
| Type | | Snap action/Push-on type SPST | |
| Electrical | Rating | 10 μA 2 Vdc to 50 mA 12 Vdc (Resistive load) | |
| | Contact Resistance | 100 mΩ max. | |
| | Insulation Resistance | 100 MΩ min. (at 100 Vdc) | |
| | Dielectric Withstanding Voltage | 250 Vac for 1 minute | |
| | Bouncing | 10 ms max. (ON, OFF) | |
| Mechanical | Operating Force | 1.6 N±0.5 N, 2.0 N±0.6 N 2.5 N±0.6 N 3.0 N±0.8 N 3.5 N±1.0 N | 2.2 N±0.6 N 2.5 N±0.6 N |
| | Travel | 1.3 mm±0.2 mm | 1.0 mm±0.2 mm |
| Endurance | Operating Life | 3.5 N type: 30000 cycles min. 1.6 N, 2.0 N, 2.2 N, 2.5 N, 3.0 N types: 100000 cycles min. | |
| Operating Temperature | | -40 °C to +85 °C | |
| Storage Temperature | | -40 °C to +85 °C (Bulk) -20 °C to +60 °C (Taping) | |
| Minimum Quantity/Packing Unit | | 2000 pcs. Embossed Taping (Reel Pack) | |
| Quantity/Carton | | 10000 pcs. | |

Design and specifications are each subject to change without notice. Ask factory for the current technical specifications before purchase and/or use.
Should a safety concern arise regarding this product, please be sure to contact us immediately.

■ Dimensions in mm (not to scale)

EVQP0
EVQP1
EVQ9P

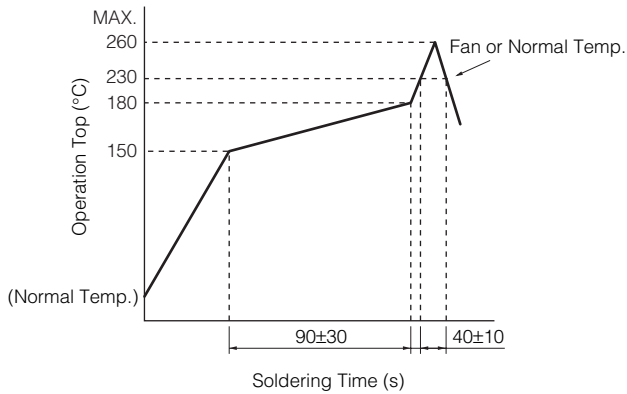
(Embossed Taping)



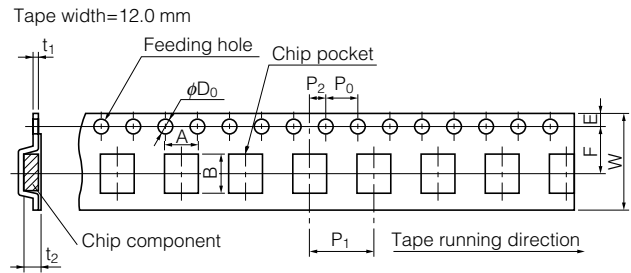
| Part Numbers | Operating Force | Travel | H=Height | Push Plate Color | Operating Life |
|--------------|-----------------|--------|----------|------------------|----------------|
| EVQP1K05M | 2.2 N | 1.0 mm | 5.0 mm | Natural | 100000 cycles |
| EVQP1Y05M | 2.5 N | 1.0 mm | 5.0 mm | Natural | 100000 cycles |
| EVQP1905M | 1.6 N | 1.3 mm | 5.0 mm | Natural | 100000 cycles |
| EVQP1F05M | 2.0 N | 1.3 mm | 5.0 mm | Natural | 100000 cycles |
| EVQP1D05M | 2.5 N | 1.3 mm | 5.0 mm | Natural | 100000 cycles |
| EVQP0405M | 3.0 N | 1.3 mm | 5.0 mm | Natural | 100000 cycles |
| EVQ9P105M | 3.5 N | 1.3 mm | 5.0 mm | Natural | 30000 cycles |

Design and specifications are each subject to change without notice. Ask factory for the current technical specifications before purchase and/or use. Should a safety concern arise regarding this product, please be sure to contact us immediately.

■ Recommended Reflow Soldering Conditions



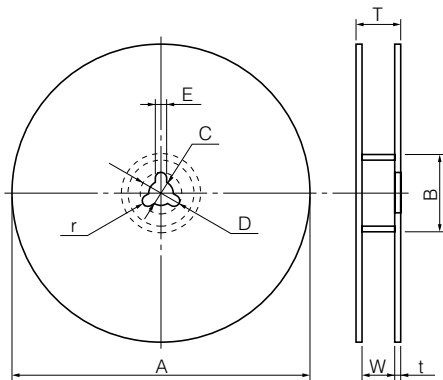
● Embossed Carrier Taping



Unit: mm

| Part No. | Height | A | B | W | F | E | P_1 | P_2 | P_0 | D_0 Dia. | t_1 | t_2 |
|-------------------------|--------|---------|---------|----------|---------|-----------|---------|---------|---------|-----------------------------------|---------|-----------|
| EVQP0 EVQP1 EVQ9P | 5.0 | 6.4±0.2 | 7.9±0.2 | 12.0±0.3 | 5.5±0.1 | 1.75±0.10 | 8.0±0.1 | 2.0±0.1 | 4.0±0.1 | 1.5 ^{+0.1} ₋₀ | 0.4±0.1 | 5.25±0.20 |

● Standard Reel Dimensions in mm (not to scale)



| Item | A | B | C | D | E |
|-----------|----------------------|------------------|---------------------|---------------------|---------|
| Rate (mm) | $\phi 370.0 \pm 2.0$ | $\phi 50.0$ min. | $\phi 13.0 \pm 0.5$ | $\phi 21.0 \pm 1.0$ | 2.0±0.5 |

| Item | W | T | t | r |
|-----------|----------|---|------------|---------|
| Rate (mm) | 14.0±1.5 | — | 1.0 to 3.0 | 1.0±0.5 |