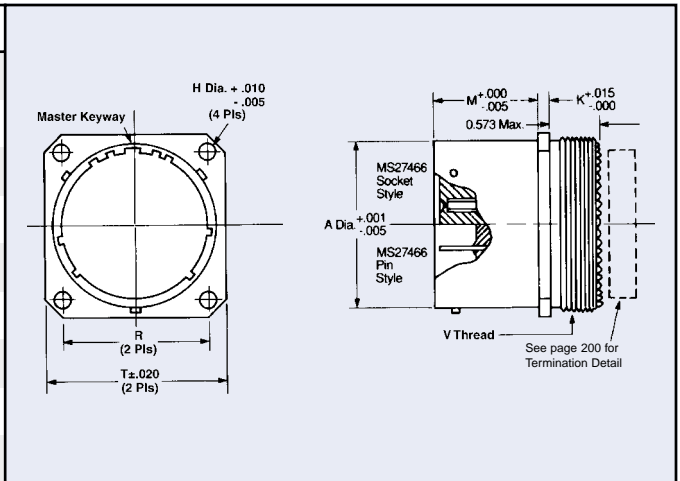


MIL-C-38999, Compact Shell Series I



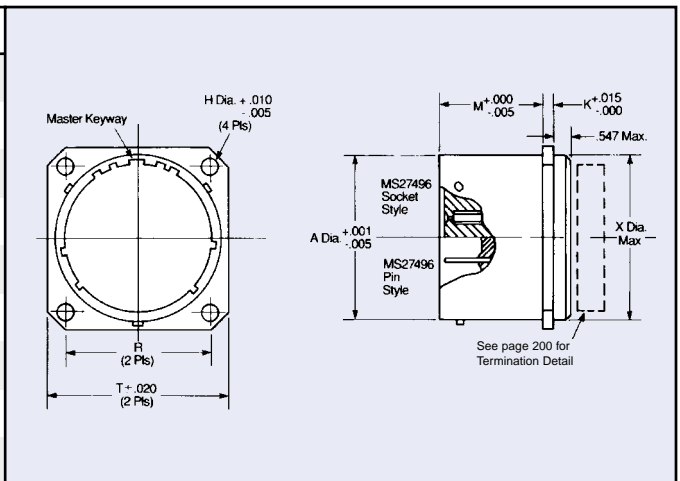
MS27466 Wall Mount, Front Panel Mounting

Shell Size	A Dia.	M	H Dia.	K	R	T	V Thread UNEF-2A
9	.572 (14.55)	.632 (16.07)	.128 (3.26)	.085 (2.16)	.719 (18.28)	.938 (23.85)	.4375-18
11	.700 (17.80)	.632 (16.07)	.128 (3.26)	.085 (2.16)	.812 (20.65)	1.031 (26.22)	.5625-24
13	.850 (21.62)	.632 (16.07)	.128 (3.26)	.085 (2.16)	.906 (23.04)	1.125 (28.61)	.6875-24
15	.975 (24.79)	.632 (16.07)	.128 (3.26)	.085 (2.16)	.969 (24.64)	1.219 (31.00)	.8125-20
17	1.100 (27.97)	.632 (16.07)	.128 (3.26)	.085 (2.16)	1.062 (27.01)	1.312 (33.36)	.9375-20
19	1.207 (30.69)	.632 (16.07)	.128 (3.26)	.085 (2.16)	1.156 (29.40)	1.438 (36.51)	1.0625-18
21	1.332 (33.87)	.602 (15.31)	.128 (3.26)	.115 (2.92)	1.250 (31.79)	1.562 (39.72)	1.1875-18
23	1.475 (37.61)	.602 (15.31)	.147 (3.74)	.115 (2.92)	1.375 (34.97)	1.688 (42.93)	1.3125-18
25	1.582 (40.23)	.602 (15.31)	.147 (3.74)	.115 (2.92)	1.500 (38.15)	1.812 (46.08)	1.4375-18



MS27496 Box Mount, Front Panel Mounting

Shell Size	A Dia	M	K	X Dia.	H Dia.	R	T
9	.572 (14.55)	.632 (16.07)	.085 (2.16)	.469 (11.93)	.128 (3.26)	.719 (18.28)	.938 (23.85)
11	.700 (17.80)	.632 (16.07)	.085 (2.16)	.594 (15.11)	.128 (3.26)	.812 (20.65)	1.031 (26.22)
13	.850 (21.62)	.632 (16.07)	.085 (2.16)	.719 (18.28)	.128 (3.26)	.906 (23.04)	1.125 (28.61)
15	.975 (24.79)	.632 (16.07)	.085 (2.16)	.844 (21.46)	.128 (3.26)	.969 (24.64)	1.219 (31.00)
17	1.100 (27.97)	.632 (16.07)	.085 (2.16)	.969 (24.64)	.128 (3.26)	1.062 (27.01)	1.312 (33.36)
19	1.207 (30.69)	.632 (16.07)	.085 (2.16)	1.078 (27.41)	.128 (3.26)	1.156 (29.40)	1.438 (36.57)
21	1.332 (33.87)	.602 (15.31)	.115 (2.92)	1.203 (30.59)	.128 (3.26)	1.250 (31.79)	1.562 (39.72)
23	1.457 (36.91)	.602 (15.31)	.115 (2.92)	1.328 (33.77)	.147 (3.74)	1.375 (34.97)	1.688 (42.93)
25	1.582 (40.23)	.602 (15.31)	.115 (2.92)	1.453 (36.95)	.147 (3.74)	1.500 (38.15)	1.812 (46.08)



Dimensions in inches (mm)