

# PulseJack™

## 1X1 Tab-Up RJ45

100 Base-TX RJ45 1X1 Tab-Up 8 pin Integrated Magnetics Connector, designed for industrial rated applications and is suitable for reflow solder mounting.



### Features and Benefits:

- High Temperature rated parts designed for use in Pin-in-Paste processing with 260°C max reflow temperature
- Meets IEEE802.3 specification
- 350µH minimum OCL with 8mA DC bias current
- Extended Temperature range from -40°C to 85°C

### Electrical Specifications @ 25°C - Operating Temperature -40°C to +85°C

Part Number <sup>1</sup>	EMI Fingers	LED (L/R)	Insertion Loss 1 - 65MHz (dB TYP)	Return Loss (dB TYP)			CCMR (dB TYP)		Crosstalk (db TYP)			Hipot (Vrms)
				1 - 10 MHz	30 MHz	60 - 80 MHz	1 - 50 MHz	50 - 130 MHz	1 - 10 MHz	30 - 60 MHz	60 - 100 MHz	
JXR1-0001NL	YES	-	-1.0	-20	-16	-10	-30	-20	-40	-35	-30	1500
JXR1-0005NL	NO	-	-1.0	-20	-16	-10	-30	-20	-40	-35	-30	1500
JXR1-0011NL	YES	G/Y	-1.0	-20	-16	-10	-30	-20	-40	-35	-30	1500
JXR1-0015NL	NO	G/Y	-1.0	-20	-16	-10	-30	-20	-40	-35	-30	1500

#### Notes:

1. When ordering JXR0-0011NL supplied in **Tape and Reel**, please add a "T" on the end of the part code - e.g. JXR1-0011NL becomes JXR1-0011NL.T
2. Maximum Reflow Solder Temperature: 2x SRP 260°C for 5 seconds with LEDs and 2x SRP 260°C for 10 seconds without LEDs

### RJ45 Durability Testing Rating

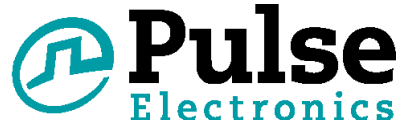
Part Number	Mating Force (MAX)	Unmating Force (MAX)	Durability	Plug to Jack Retention (MIN)
JXR1 - Series	5 lbs./2.268 kgs.	5 lbs./2.268 kgs.	750 Insertions	20 lbs./9.072 kgs.

### RJ45 Material Specification

Part Number	Shield		Contact			Housing		MSL <sup>2</sup>
	Material	Finish	Material	Plating Area	Solder Area	Material	Specification	Rating
JXR1 - Series	Brass	10-20m inches Nickel over 10-20m inches Brass	Phosphor Bronze	Nickel underplating and selective gold plating 30µ inches	Matte Tin finish over Nickel	Thermoplastic	UL 94 V-0	3

Notes: 1. Connector dimensions comply with FCC dimension requirements. 2. MSL = Moisture Sensitivity Level rating from 1 to 5 (highest rating = 1, lowest rating = 5).

# PulseJack™ 1X1 Tab-Up RJ45



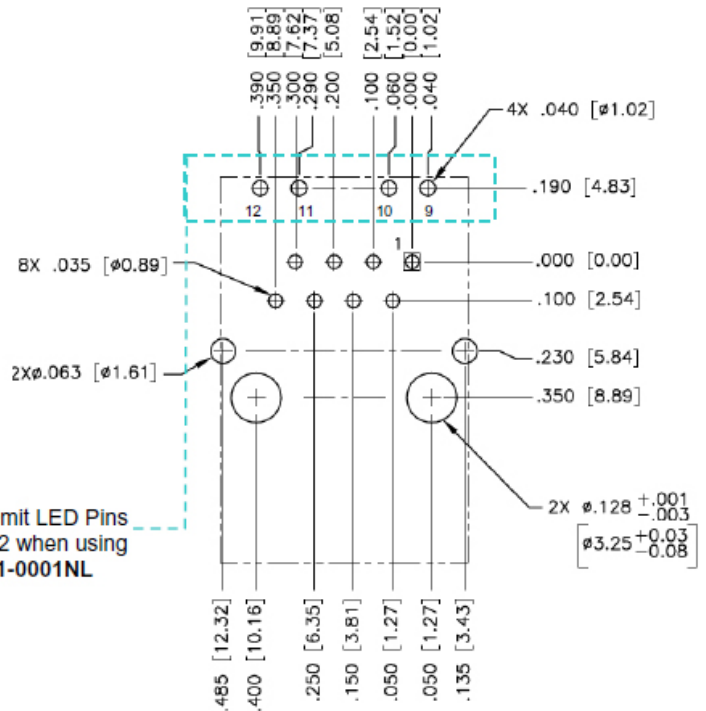
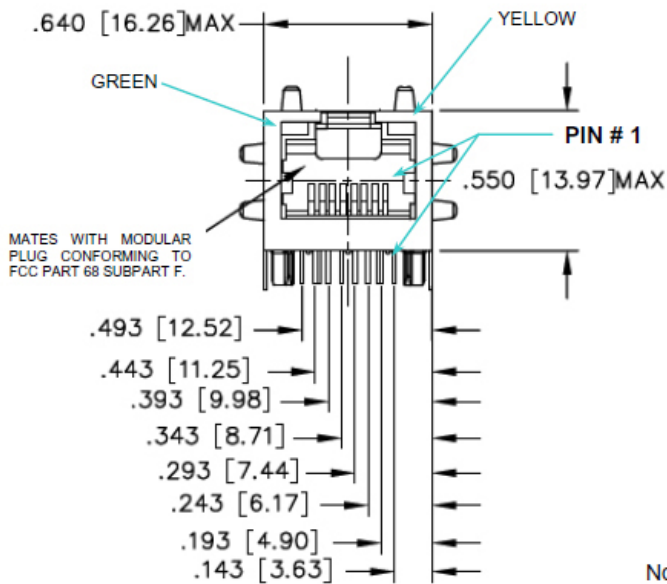
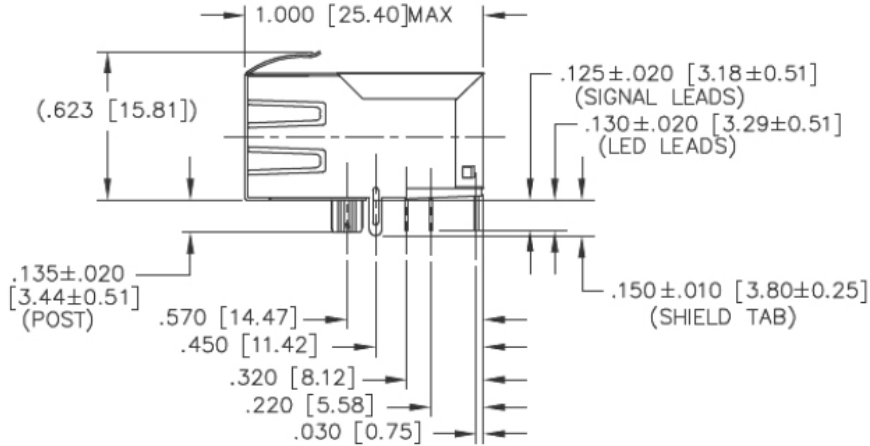
100 Base-TX RJ45 1X1 Tab-Up 8 pin Integrated Magnetics Connector, designed for industrial rated applications and is suitable for reflow solder mounting.

## Mechanicals

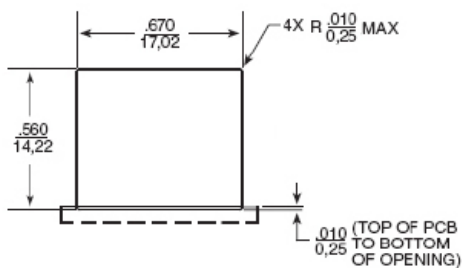
JXR1-0001/JXR1-0011NL

Dimensions:  $\frac{\text{Inches}}{\text{mm}}$

Unless otherwise specified, all tolerances are  $\pm \frac{.010}{0,25}$



Note: Omit LED Pins #9 to #12 when using JXR1-0001NL



FACE VIEW

RECOMMENDED PANEL CUTOUT

RECOMMENDED PCB LAYOUT VIEWED FROM COMPONENT SIDE

PCB LAYOUT DIMENSIONS REFERENCED TO PIN#1 AND  $\pm .003$  UNLESS OTHERWISE SPECIFIED

J437.B (04/12)

# PulseJack™ 1X1 Tab-Up RJ45

100 Base-TX RJ45 1X1 Tab-Up 8 pin Integrated Magnetics Connector, designed for industrial rated applications and is suitable for reflow solder mounting.

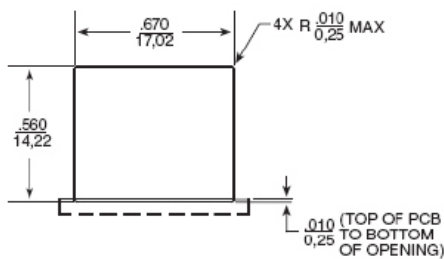
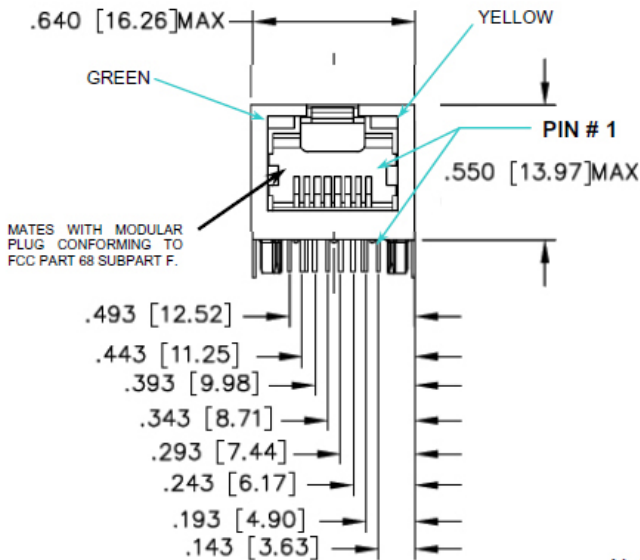
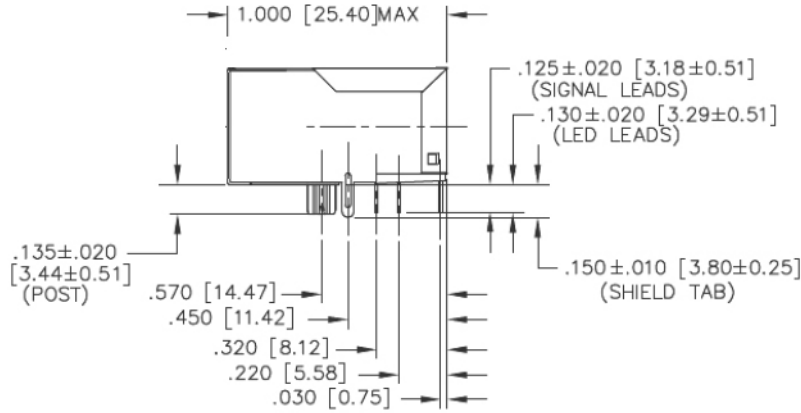


## Mechanicals (continued)

JXR1-0005/JXR1-0015NL

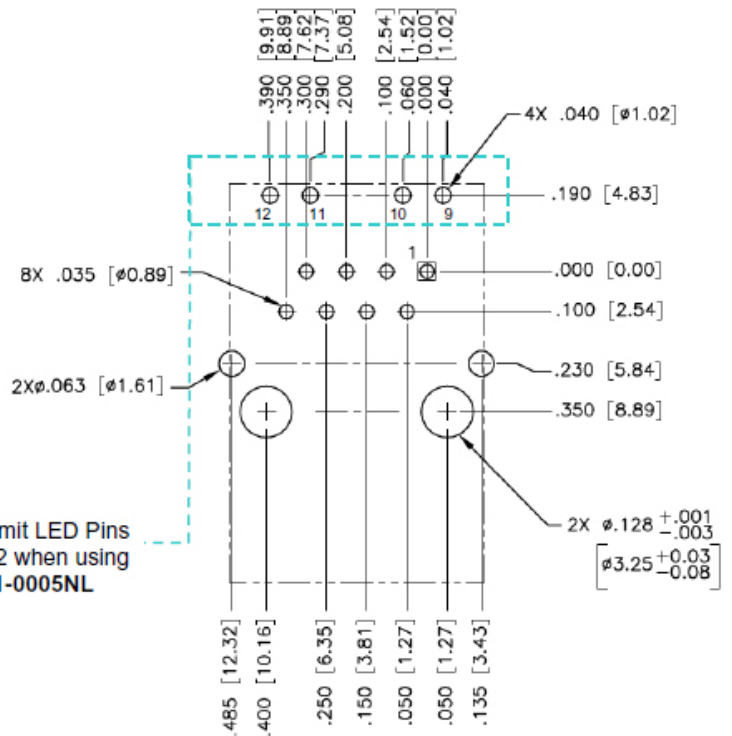
Dimensions: Inches  
mm

Unless otherwise specified,  
all tolerances are  $\pm \frac{.010}{0,25}$



FACE VIEW

### RECOMMENDED PANEL CUTOUT



Note: Omit LED Pins #9 to #12 when using JXR1-0005NL

### RECOMMENDED PCB LAYOUT VIEWED FROM COMPONENT SIDE

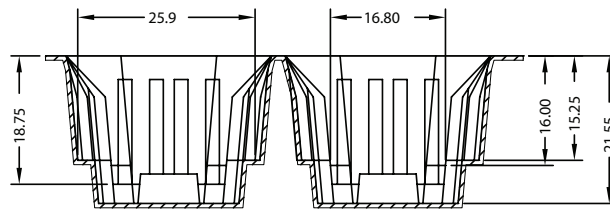
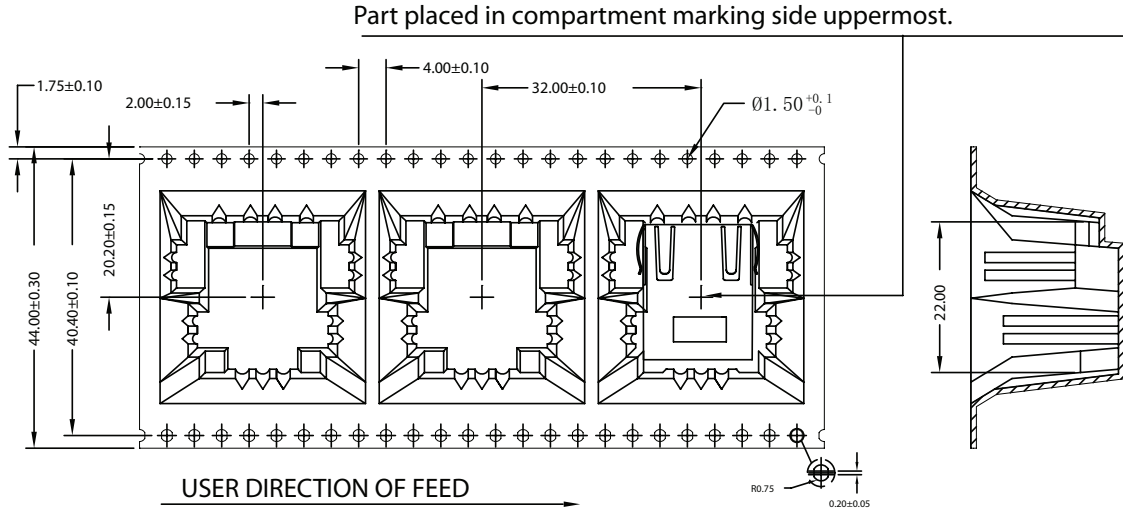
PCB LAYOUT DIMENSIONS REFERENCED TO PIN#1 AND  $\pm .003$  UNLESS OTHERWISE SPECIFIED

# PulseJack™ 1X1 Tab-Up RJ45

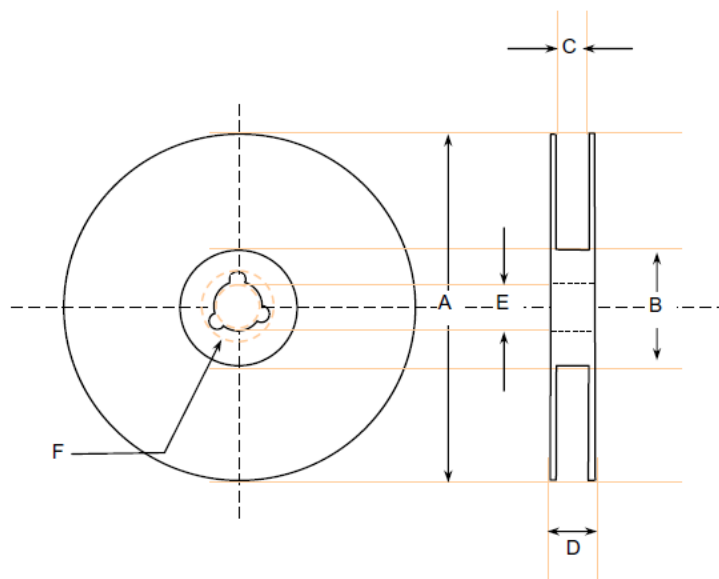
100 Base-TX RJ45 1X1 Tab-Up 8 pin Integrated Magnetics Connector, designed for industrial rated applications and is suitable for reflow solder mounting.



## Tape and Reel Specification



**Dimensions:** given in mm  
Unless otherwise specified, all tolerances are  $\pm 0.15$



### PACKING SPECIFICATION:

JXR1-00xxNLT = TAPE and REEL .....80 parts/reel  
JXR1-00xxNL = TRAY .....25 parts

### REEL SPECIFICATION in mm

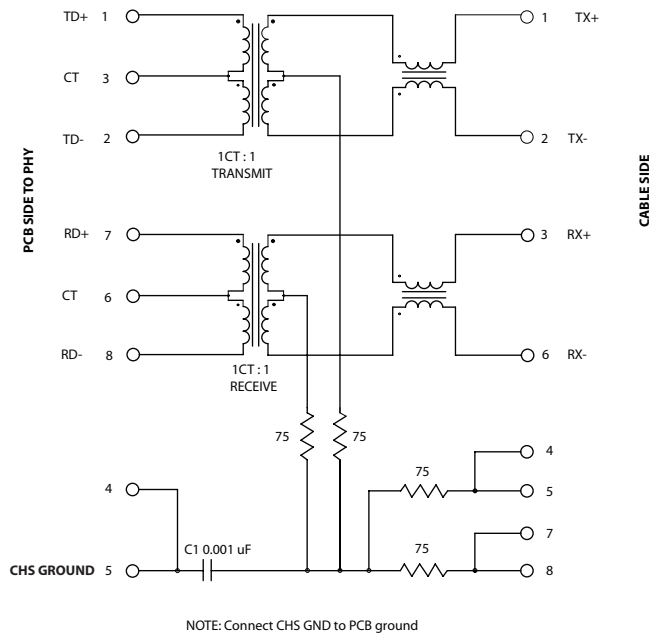
A =  $\text{Ø } 360.0 \pm 2.0$     C =  $\text{Ø } 45.4 \pm 1.0$     C =  $\text{Ø } 13.1 \pm 0.3$   
B =  $\text{Ø } 100.0 \pm 0.5$     D =  $\text{Ø } 50.4 \pm 1.0$     D =  $\text{Ø } 21.0 \pm 0.5$

# PulseJack™

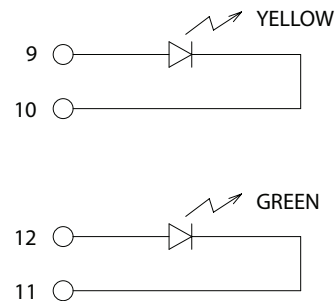
## 1X1 Tab-Up RJ45

100 Base-TX RJ45 1X1 Tab-Up 8 pin Integrated Magnetics Connector, designed for industrial rated applications and is suitable for reflow solder mounting

### Electrical Schematic



### LED Specification



Emitted Color	Green	Yellow
<b>Wavelength (nm)</b>	585 nm	2.1 V
<b>Brightness (mCD)</b>	8 to 12 TYP. @ 20mA	8 to 12 TYP. @ 20 mA
<b>Viewing Angle</b>	100°	100°
<b>Power Dissipation (Pd)</b>	68 mW MAX	68 mW MAX
<b>DC Forward Current</b>	25 mA MAX	30 mA MAX
<b>Reverse Voltage (Vr)</b>	5.0 V MAX	5.0 V MAX

### For More Information

**Pulse Worldwide Headquarters**  
12220 World Trade Drive  
San Diego, CA  
92128  
U.S.A.

Tel: 858 674 8100  
Fax: 858 674 8262

**Pulse Europe**  
Einsteinstrasse 1  
D-71083 Herrenberg  
Germany

Tel: 49 7032 78060  
Fax: 49 7032 7806 135

**Pulse China Headquarters**  
B402, Shenzhen Academy of  
Aerospace Technology Bldg.  
10th Kejian Road  
High-Tech Zone  
Nanshan District  
Shenzhen, PR China  
518057  
Tel: 86 755 33966678  
Fax: 86 755 33966700

**Pulse North China**  
Room 2704/2705  
Super Ocean Finance  
Ctr.  
2067 Yan An Road  
West  
Shanghai 200336  
China  
Tel: 86 21 62787060  
Fax: 86 2162786973

**Pulse South Asia**  
135 Joo Seng Road  
#03-02  
PM Industrial Bldg.  
Singapore 368363  
Tel: 65 6287 8998  
Fax: 65 6287 8998

**Pulse North Asia**  
3F, No. 198  
Zhongyuan Road  
Zhongli City  
Taoyuan County 320  
Taiwan R. O. C.  
Tel: 886 3 4356768  
Fax: 886 3 4356823 (Pulse)  
Fax: 886 3 4356820 (FRE)

Performance warranty of products offered on this data sheet is limited to the parameters specified. Data is subject to change without notice. Other brand and product names mentioned herein may be trademarks or registered trademarks of their respective owners. © Copyright, 2012. Pulse Electronics, Inc. All rights reserved.