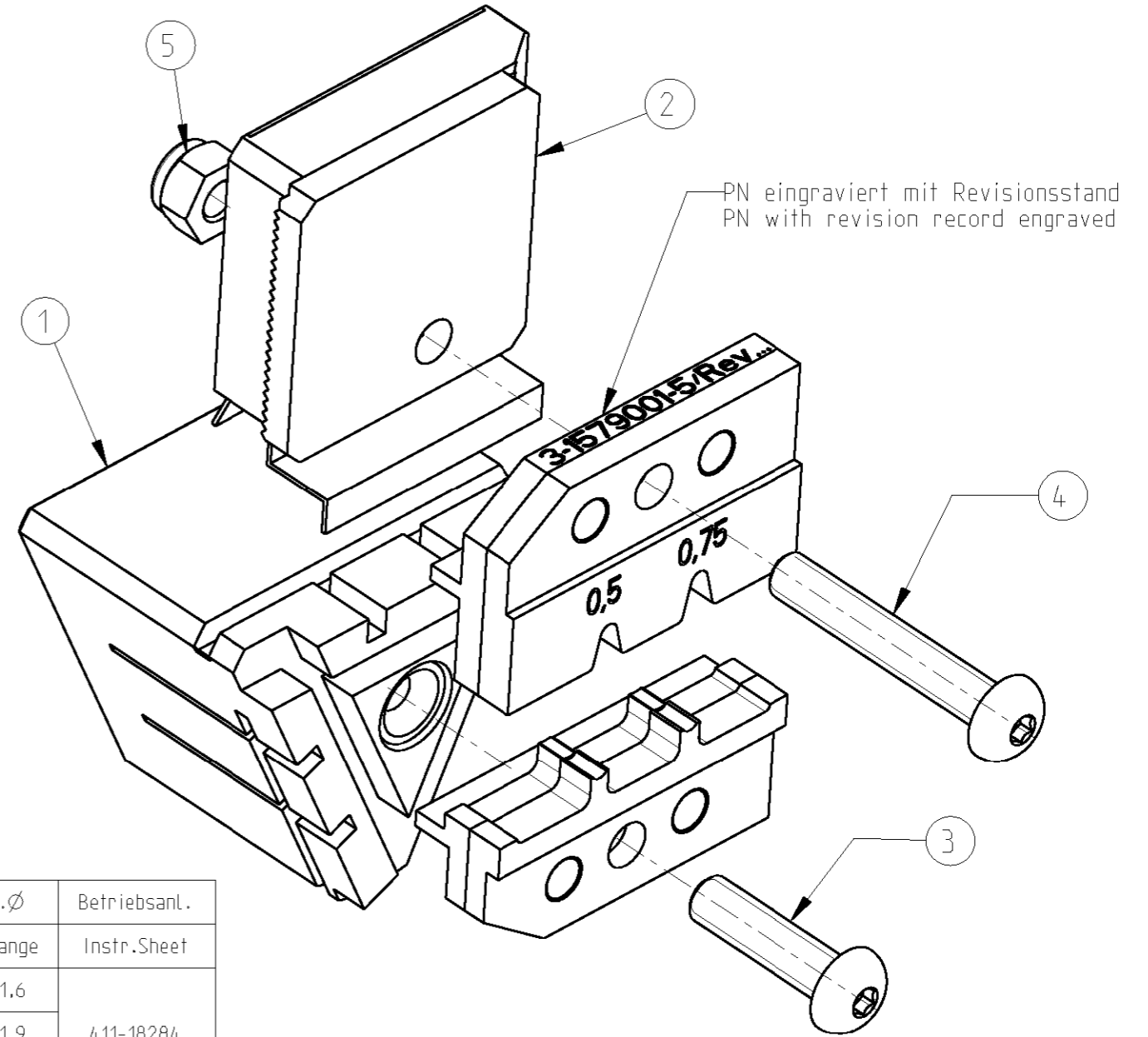


THIS DRAWING IS UNPUBLISHED. RELEASED FOR PUBLICATION 2003  
 © COPYRIGHT 2003 BY TYCO ELECTRONICS CORPORATION. ALL RIGHTS RESERVED.

LOC	DIST	REVISIONS				
P	LTR	DESCRIPTION	DATE	DWN	APVD	
A	-	EGCO-0193-04	07.09.2004	witt	-	

Matrize in Kombination mit Ergocrimp Basishandzange PN 539635-1 verwenden  
 Use die in combination with Ergocrimp basis hand tool PN 539635-1

Matrize im Karton mit Bedienungsanleitung 411-18284 verpackt  
 Die packed in a cardboard with instruction sheet 411-18284



3-1579001-5	1	5-0744010-1	Instruction Sheet	Bedienungsanleitung	6
	1	0-0519024-2	Nut M4 DIN 985	Mutter M4 DIN 985	5
	1	1-0519151-3	Screw M4x25	Schraube M4x25	4
	1	1-0519151-1	Screw M4x16	Schraube M4x16	3
	1	8-1579005-9	Locator Assembly	Drahtanschlag	2
	1	8-1579005-4	Contact Locator	Kontaktpositionierer	1
	QTY Stck	PN	Description	Benennung	Pos.

Kontakt	DGB (mm <sup>2</sup> )	Drahtcrimp / Wire Crimp		Isolationscrimp/Insulationcrimp		Isol.Ø	Betriebsanl.
Contact	Wire Range	Hoehe/Height mm	Breite/Width mm	Hoehe/Height mm	Breite/Width mm	Ins.Range	Instr.Sheet
963729 / 963730 968221 / 1241921 1452014	0.50	0.93 ±0.03	1.40	1.7 ±0.1	2.03 ±0.1	1.4-1.6	411-18284
	0.75	1.07 ±0.03		2.05 ±0.1		1.7-1.9	
	-----	-----		-----		-----	

THIS DRAWING IS A CONTROLLED DOCUMENT FOR TYCO ELECTRONICS CORPORATION IT IS SUBJECT TO CHANGE AND THE CONTROLLING ENGINEERING ORGANIZATION SHOULD BE CONTACTED FOR THE LATEST REVISION.		DWN Ch.Witt	07SEP2004	<b>tyco</b> Electronics		tyco Electronics AMP GmbH D - 64625 Bensheim	
DIMENSIONS: mm		TOLERANCES UNLESS OTHERWISE SPECIFIED:		NAME ERGOCRIMP-DIE SET Ergocrimp Matrize			
		0 PLC ± 1 PLC ± 2 PLC ± 3 PLC ± 4 PLC ± ANGLES ±1°		PRODUCT SPEC -			
MATERIAL -		FINISH -		APPLICATION SPEC -			
				SIZE A3		CAGE CODE 00779	
				DRAWING NO C-3-1579001-5		RESTRICTED TO -	
				WEIGHT -		SCALE 2:1	
				CUSTOMER DRAWING		SHEET 1 OF 1	
						REV A	