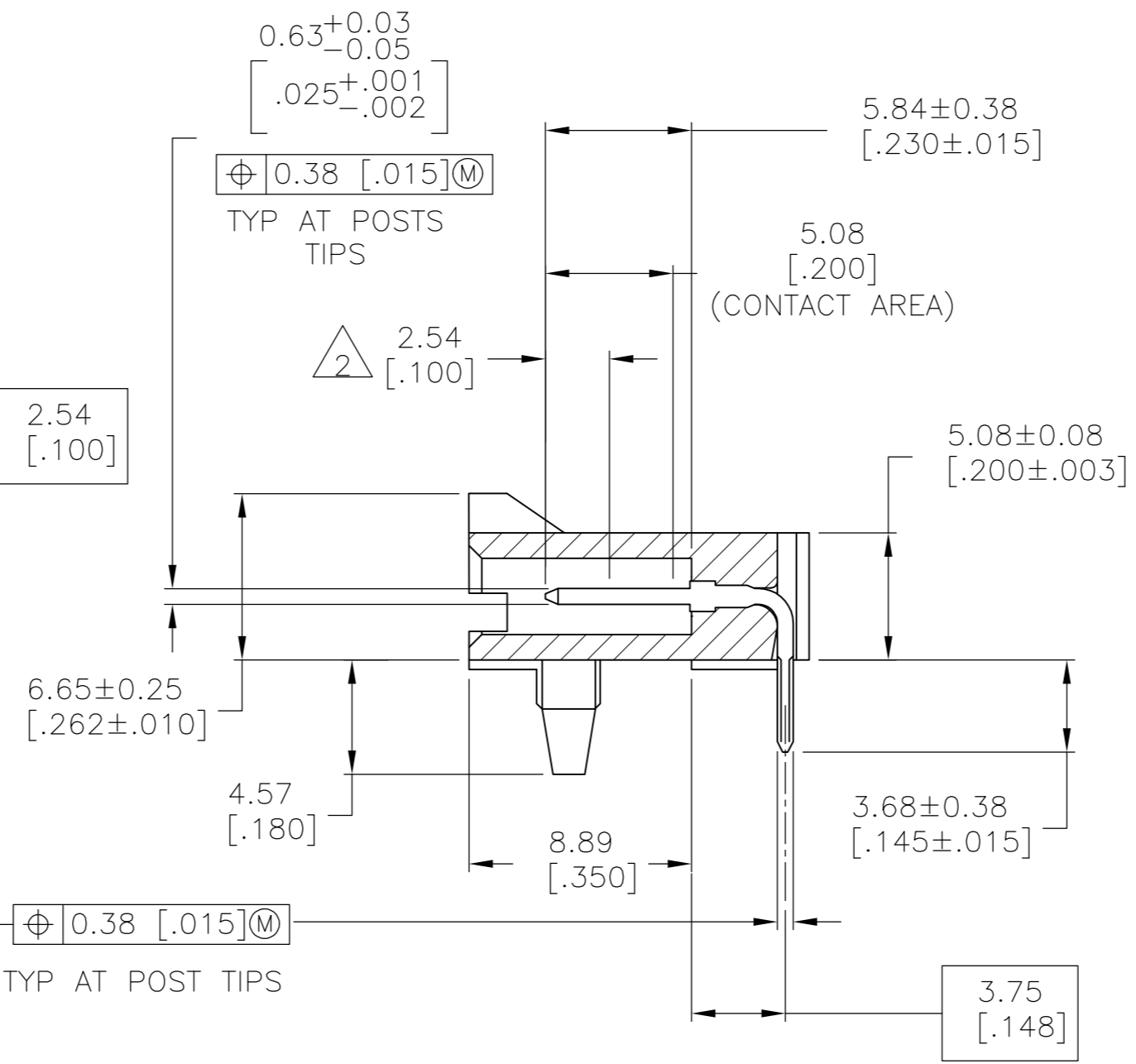
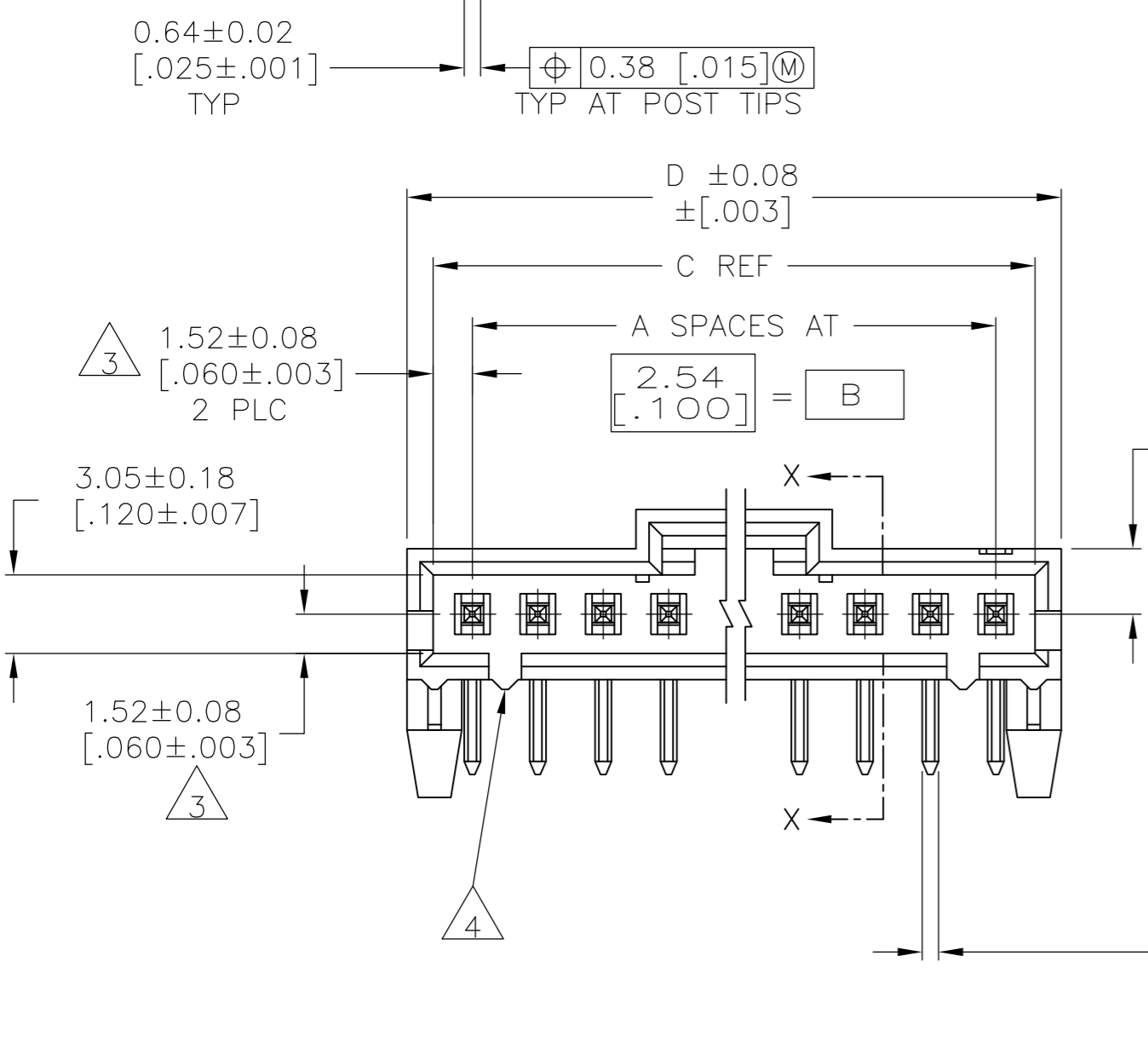
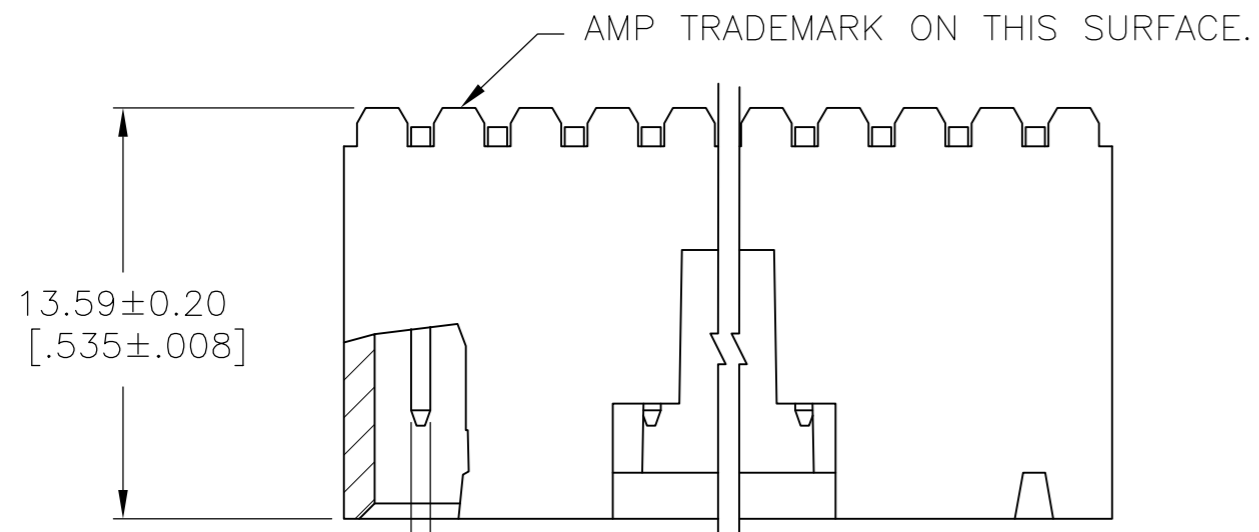
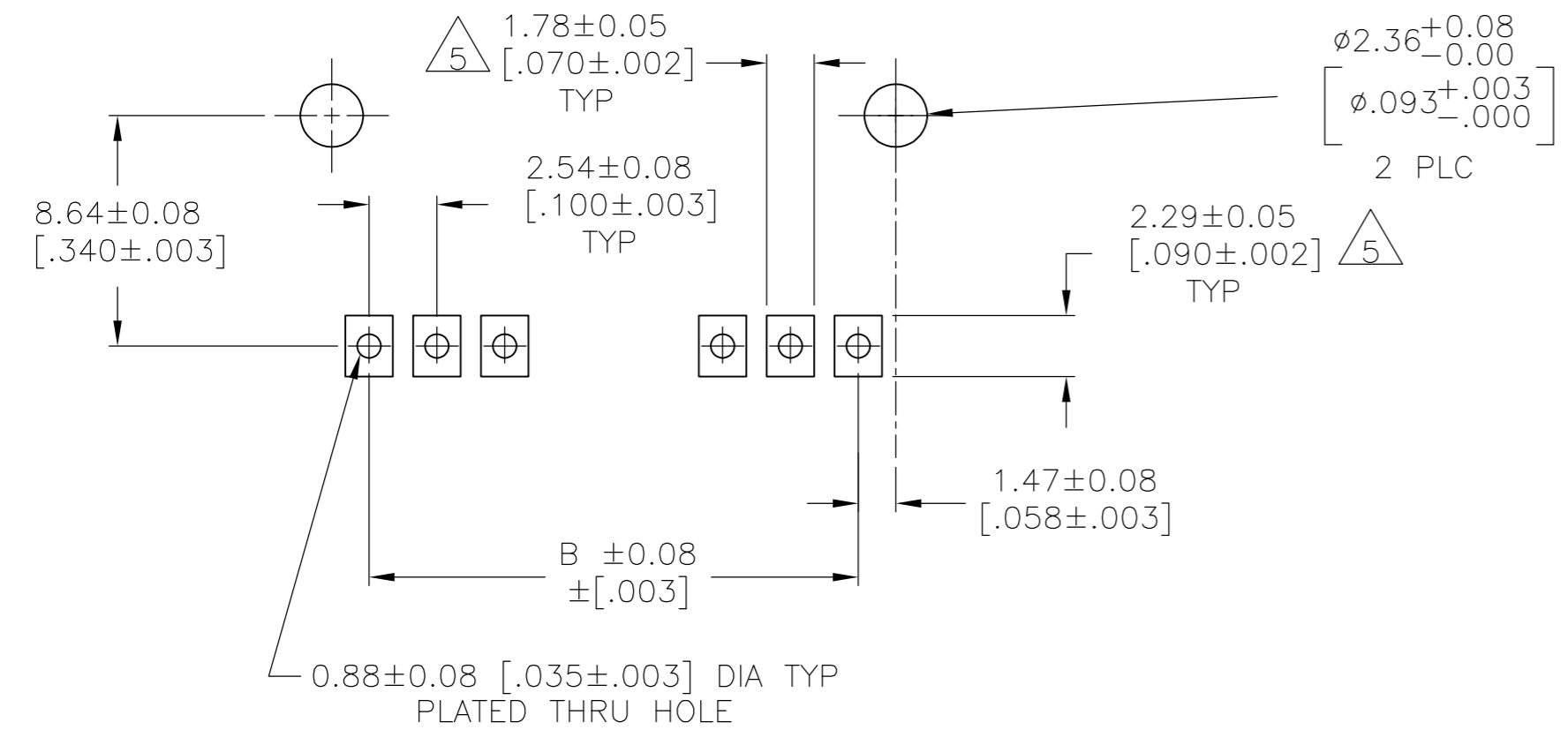


THIS DRAWING IS UNPUBLISHED. RELEASED FOR PUBLICATION  
 © COPYRIGHT - By - ALL RIGHTS RESERVED.

LOC		DIST		REVISIONS			
P	LTR	DESCRIPTION		DATE	DWN	APVD	
AD	00	P2		REVISED PER ECO-11-004587	11MAR11	RK	HMR



- 1 0.000381 [.000015] GOLD IN THE CONTACT AREA, 0.00254-0.00508 [.000100-.000200] MATTE TIN-LEAD ON THE SOLDER TAIL, ALL OVER 0.00127 [.000050] NICKEL.
- 2 POINT OF MEASUREMENT FOR PLATING THICKNESS
- 3 THE NOTED DIMENSIONS APPLY FROM THE BASIC DIMENSION LINE (NOT THE POST CENTERLINE) TO THE SURFACE INDICATED
- 4 ON ASSEMBLIES WITH FOUR OR MORE POSITIONS, TWO POLARIZATION SLOTS. ON ASSEMBLIES WITH TWO OR THREE POSITIONS, ONE POLARIZATION SLOT.
- 5 DIMENSIONS NOTED ARE FOR SOLDER STENCIL LAYOUT FOR USE WITH A 1.57±0.20 [.062±.008] THICK. PRINTED CIRCUIT BOARD
- 6 PARTS ARE PACKAGED IN GANG OF TUBES
- 7 0.000381 [.000015] GOLD IN THE CONTACT AREA, 0.00254-0.00508 [.000100-.000200] MATTE TIN ON THE SOLDER TAIL, ALL OVER 0.00127 [.000050] NICKEL.
- 8 OBSOLETE PARTS: OBSOLETE CIS STREAMLINING PER D.RENAUD/D.SINISI



RECOMMENDED PC BOARD MOUNTING DIMENSIONS  
 RECOMMENDED STENCIL THICKNESS = 0.25 [.010]

SEE SHEET 2 FOR PART NUMBER TABLE

THIS DRAWING IS A CONTROLLED DOCUMENT.		DWN	2-22-88	 TE Connectivity
DIMENSIONS: mm [INCHES]		CHK	2-22-88	
TOLERANCES UNLESS OTHERWISE SPECIFIED:		APVD	2-22-88	
0 PLC ± - 1 PLC ± - 2 PLC ± 0.13 [.005] 3 PLC ± - 4 PLC ± - ANGLES ± -		NAME		
MATERIAL: HOUSING: HIGH TEMPERATURE THERMOPLASTIC, COLOR: BLACK POSTS: BRASS		FINISH	SEE TABLE	WEIGHT - CUSTOMER DRAWING
		SIZE	A2	CAGE CODE 00779 DRAWING NO C=104361 RESTRICTED TO -
		SCALE	4:1	SHEET 1 OF 2 REV P2

THIS DRAWING IS UNPUBLISHED. RELEASED FOR PUBLICATION  
 © COPYRIGHT - By - ALL RIGHTS RESERVED.

LOC		DIST		REVISIONS				
AD	00	P	LTR	DESCRIPTION	DATE	DWN	APVD	
		-		SEE SHEET 1	-	-	-	

7	66.04	[2.600]	64.01	[2.520]	60.96	[2.400]	24	25	7-104361-4
7	63.5	[2.500]	61.47	[2.420]	58.42	[2.300]	23	24	7-104361-3
7	60.96	[2.400]	58.93	[2.320]	55.88	[2.200]	22	23	7-104361-2
7	58.42	[2.300]	56.39	[2.220]	53.34	[2.100]	21	22	7-104361-1
7	55.88	[2.200]	53.85	[2.120]	50.8	[2.000]	20	21	7-104361-0
7	53.34	[2.100]	51.31	[2.020]	48.26	[1.900]	19	20	6-104361-9
7	50.8	[2.000]	48.77	[1.920]	45.72	[1.800]	18	19	6-104361-8
7	48.26	[1.900]	46.23	[1.820]	43.18	[1.700]	17	18	6-104361-7
7	45.72	[1.800]	43.69	[1.720]	40.64	[1.600]	16	17	6-104361-6
7	43.18	[1.700]	41.15	[1.620]	38.1	[1.500]	15	16	6-104361-5
7	40.64	[1.600]	38.61	[1.520]	35.56	[1.400]	14	15	6-104361-4
7	38.1	[1.500]	36.07	[1.420]	33.02	[1.300]	13	14	6-104361-3
7	35.56	[1.400]	33.53	[1.320]	30.48	[1.200]	12	13	6-104361-2
7	33.02	[1.300]	30.99	[1.220]	27.94	[1.100]	11	12	6-104361-1
7	30.48	[1.200]	28.45	[1.120]	25.4	[1.000]	10	11	6-104361-0
7	27.94	[1.100]	25.91	[1.020]	22.86	[.900]	9	10	5-104361-9
7	25.4	[1.000]	23.37	[.920]	20.32	[.800]	8	9	5-104361-8
7	22.86	[.900]	20.83	[.820]	17.78	[.700]	7	8	5-104361-7
7	20.32	[.800]	18.29	[.720]	15.24	[.600]	6	7	5-104361-6
7	17.78	[.700]	15.75	[.620]	12.7	[.500]	5	6	5-104361-5
7	15.24	[.600]	13.21	[.520]	10.16	[.400]	4	5	5-104361-4
7	12.7	[.500]	10.67	[.420]	7.62	[.300]	3	4	5-104361-3
7	10.16	[.400]	8.13	[.320]	5.08	[.200]	2	3	5-104361-2
7	7.62	[.300]	5.59	[.220]	2.54	[.100]	1	2	5-104361-1
1	66.04	[2.600]	64.01	[2.520]	60.96	[2.400]	24	25	2-104361-4
1	63.5	[2.500]	61.47	[2.420]	58.42	[2.300]	23	24	2-104361-3
1	60.96	[2.400]	58.93	[2.320]	55.88	[2.200]	22	23	2-104361-2
1	58.42	[2.300]	56.39	[2.220]	53.34	[2.100]	21	22	2-104361-1
1	55.88	[2.200]	53.85	[2.120]	50.8	[2.000]	20	21	2-104361-0
1	53.34	[2.100]	51.31	[2.020]	48.26	[1.900]	19	20	1-104361-9
1	50.8	[2.000]	48.77	[1.920]	45.72	[1.800]	18	19	1-104361-8
1	48.26	[1.900]	46.23	[1.820]	43.18	[1.700]	17	18	1-104361-7
1	45.72	[1.800]	43.69	[1.720]	40.64	[1.600]	16	17	1-104361-6
1	43.18	[1.700]	41.15	[1.620]	38.1	[1.500]	15	16	1-104361-5
1	40.64	[1.600]	38.61	[1.520]	35.56	[1.400]	14	15	1-104361-4
1	38.1	[1.500]	36.07	[1.420]	33.02	[1.300]	13	14	1-104361-3
1	35.56	[1.400]	33.53	[1.320]	30.48	[1.200]	12	13	1-104361-2
1	33.02	[1.300]	30.99	[1.220]	27.94	[1.100]	11	12	1-104361-1
1	30.48	[1.200]	28.45	[1.120]	25.4	[1.000]	10	11	1-104361-0
1	27.94	[1.100]	25.91	[1.020]	22.86	[.900]	9	10	104361-9
1	25.4	[1.000]	23.37	[.920]	20.32	[.800]	8	9	104361-8
1	22.86	[.900]	20.83	[.820]	17.78	[.700]	7	8	104361-7
1	20.32	[.800]	18.29	[.720]	15.24	[.600]	6	7	104361-6
1	17.78	[.700]	15.75	[.620]	12.7	[.500]	5	6	104361-5
1	15.24	[.600]	13.21	[.520]	10.16	[.400]	4	5	104361-4
1	12.7	[.500]	10.67	[.420]	7.62	[.300]	3	4	104361-3
1	10.16	[.400]	8.13	[.320]	5.08	[.200]	2	3	104361-2
1	7.62	[.300]	5.59	[.220]	2.54	[.100]	1	2	104361-1
PLATING	D		C		B		A	NO OF POSN	ASSEMBLY PART NUMBER

- △ SUPERSEDED BY 7-104361-4
- △ SUPERSEDED BY 7-104361-3
- △ SUPERSEDED BY 7-104361-2
- △ SUPERSEDED BY 7-104361-1
- △ SUPERSEDED BY 7-104361-0
- △ SUPERSEDED BY 6-104361-8
- △ SUPERSEDED BY 6-104361-7
- △ SUPERSEDED BY 6-104361-6
- △ SUPERSEDED BY 6-104361-5
- △ SUPERSEDED BY 6-104361-4
- △ SUPERSEDED BY 6-104361-2
- △ SUPERSEDED BY 6-104361-0

THIS DRAWING IS A CONTROLLED DOCUMENT.

DWN 2-22-88  
G DOUTY  
CHK 2-22-88  
T C CLARK  
APVD 2-22-88  
T C CLARK  
PRODUCT SPEC

TE Connectivity

NAME: HEADER ASSY, AMPMODU MTE, RIGHT ANGLE, SINGLE ROW, .100 POSTS, WITH LATCH & HOLD DOWNS

SIZE: A2 CAGE CODE: 00779 DRAWING NO: 104361 RESTRICTED TO: -

MATERIAL: SEE TABLE FINISH: WEIGHT: -

CUSTOMER DRAWING SCALE: 4:1 SHEET: 2 OF 2 REV: P2