

# KEYSTONE PTFE Insulated Terminals & Pins

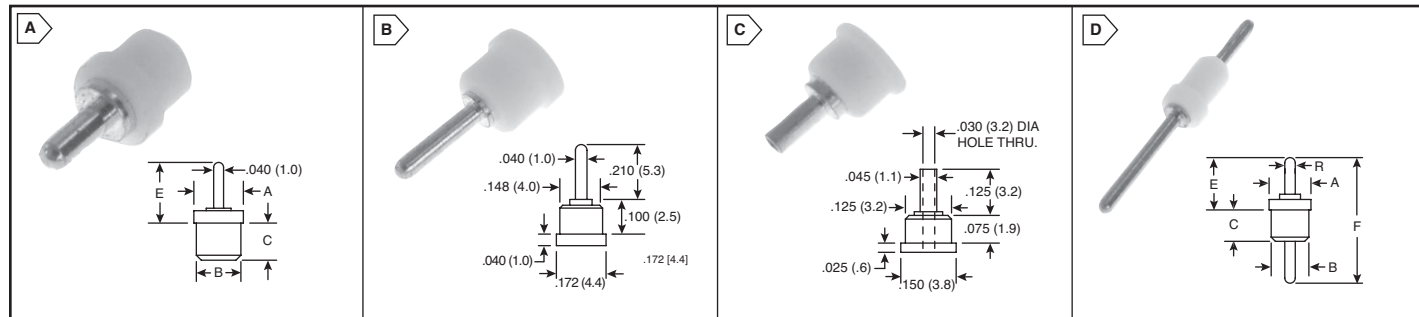


RoHS Compliant This product is RoHS compliant.

**Features:**

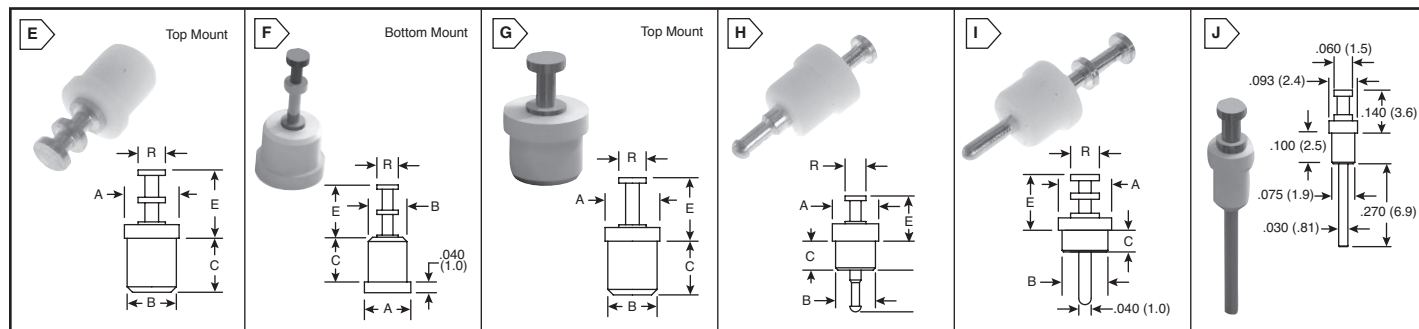
- Outstanding Electrical, Mechanical, Thermal and Chemical properties.
- Provides greater pull-out strength and high torque resistance
- Ideal for high quality terminal and connector applications
- Custom PTFE jacks manufactured to your specifications
- Other platings and bushing colors available upon request
- Space saving design for high density packaging

**Bushing:** White PTFE RoHS  
**Terminal:** Brass, Tin Plate



**PINS** For quantities greater than listed, call for quote.

| MOUSER STOCK NO.                 | Keystone Part No. | Fig. | Dimensions: in. (mm) |            |            |             |             |            |                | Price Each |     |     |      |  |  |  |
|----------------------------------|-------------------|------|----------------------|------------|------------|-------------|-------------|------------|----------------|------------|-----|-----|------|--|--|--|
|                                  |                   |      | A                    | B          | C          | E           | F           | R          | Mtg. Hole Dia. | 1          | 100 | 500 | 1000 |  |  |  |
| <b>Top Mount</b>                 |                   |      |                      |            |            |             |             |            |                |            |     |     |      |  |  |  |
| 534-11065                        | 11065             | A    | .125 (3.2)           | .104 (2.6) | .089 (2.3) | .161 (4.1)  | --          | --         | .091 (2.3)     |            |     |     |      |  |  |  |
| 534-11066                        | 11066             | A    | .125 (3.2)           | .093 (2.4) | .100 (2.5) | .925 (23.5) | --          | --         | .086 (2.2)     |            |     |     |      |  |  |  |
| 534-11067                        | 11067             | A    | .172 (4.4)           | .148 (3.8) | .100 (2.5) | .150 (3.8)  | --          | --         | .136 (3.5)     |            |     |     |      |  |  |  |
| 534-11068                        | 11068             | A    | .172 (4.4)           | .148 (3.8) | .075 (1.9) | .185 (4.7)  | --          | --         | .136 (3.5)     |            |     |     |      |  |  |  |
| 534-11069                        | 11069             | A    | .172 (4.4)           | .148 (3.8) | .050 (1.3) | .260 (6.6)  | --          | --         | .136 (3.5)     |            |     |     |      |  |  |  |
| 534-11070                        | 11070             | A    | .172 (4.4)           | .148 (3.8) | .075 (1.9) | .260 (6.6)  | --          | --         | .136 (3.5)     |            |     |     |      |  |  |  |
| 534-11071                        | 11071             | A    | .172 (4.4)           | .148 (3.8) | .100 (2.5) | .250 (6.4)  | --          | --         | .136 (3.5)     |            |     |     |      |  |  |  |
| 534-11072                        | 11072             | A    | .172 (4.4)           | .148 (3.8) | .160 (4.1) | .250 (6.4)  | --          | --         | .136 (3.5)     |            |     |     |      |  |  |  |
| 534-11073                        | 11073             | A    | .172 (4.4)           | .148 (3.8) | .100 (2.5) | .490 (12.4) | --          | --         | .136 (3.5)     |            |     |     |      |  |  |  |
| 534-11074                        | 11074             | A    | .172 (4.4)           | .148 (3.8) | .100 (2.5) | .585 (14.9) | --          | --         | .136 (3.5)     |            |     |     |      |  |  |  |
| <b>Pin - Bottom Mount</b>        |                   |      |                      |            |            |             |             |            |                |            |     |     |      |  |  |  |
| 534-11075                        | 11075             | B    | .148 (4.0)           | .172 (4.4) | .100 (2.5) | .210 (5.3)  | --          | --         | .136 (3.5)     |            |     |     |      |  |  |  |
| <b>Hollow Pin - Bottom Mount</b> |                   |      |                      |            |            |             |             |            |                |            |     |     |      |  |  |  |
| 534-11076                        | 11076             | C    | .125 (3.2)           | .150 (3.8) | .075 (1.9) | .125 (3.2)  | --          | --         | .113 (2.9)     |            |     |     |      |  |  |  |
| <b>Pin-To-Pin Feed-Thru</b>      |                   |      |                      |            |            |             |             |            |                |            |     |     |      |  |  |  |
| 534-11150                        | 11150             | D    | .093 (2.4)           | .075 (1.9) | .100 (2.5) | .315 (8.0)  | .550 (13.9) | .030 (7.6) | .069 (1.8)     |            |     |     |      |  |  |  |
| 534-11151                        | 11151             | D    | .125 (3.2)           | .093 (2.4) | .100 (2.5) | .196 (5.0)  | .453 (11.5) | .040 (1.0) | .086 (2.2)     |            |     |     |      |  |  |  |
| 534-11152                        | 11152             | D    | .125 (3.2)           | .093 (2.4) | .100 (2.5) | .250 (6.4)  | .515 (13.1) | .040 (1.0) | .086 (2.2)     |            |     |     |      |  |  |  |
| 534-11153                        | 11153             | D    | .125 (3.2)           | .093 (2.4) | .100 (2.5) | .250 (6.4)  | .443 (11.3) | .040 (1.0) | .086 (2.2)     |            |     |     |      |  |  |  |
| 534-11154                        | 11154             | D    | .150 (3.8)           | .125 (3.2) | .100 (2.5) | .250 (6.4)  | .443 (11.3) | .040 (1.0) | .113 (2.9)     |            |     |     |      |  |  |  |
| 534-11155                        | 11155             | D    | .172 (4.4)           | .148 (3.8) | .100 (2.5) | .250 (6.4)  | .515 (13.1) | .040 (1.0) | .136 (3.5)     |            |     |     |      |  |  |  |
| 534-11156                        | 11156             | D    | .172 (4.4)           | .148 (3.8) | .110 (2.8) | .260 (6.6)  | .535 (13.6) | .040 (1.0) | .136 (3.5)     |            |     |     |      |  |  |  |
| 534-11157                        | 11157             | D    | .172 (4.4)           | .148 (3.8) | .250 (6.4) | .303 (7.7)  | .719 (18.3) | .040 (1.0) | .136 (3.5)     |            |     |     |      |  |  |  |
| 534-11158                        | 11158             | D    | .172 (4.4)           | .148 (3.8) | .160 (4.1) | .250 (6.4)  | .725 (18.4) | .040 (1.0) | .136 (3.5)     |            |     |     |      |  |  |  |
| 534-11159                        | 11159             | D    | .172 (4.4)           | .148 (3.8) | .170 (4.3) | .250 (6.4)  | .630 (16.0) | .040 (1.0) | .136 (3.5)     |            |     |     |      |  |  |  |
| 534-11160                        | 11160             | D    | .172 (4.4)           | .148 (3.8) | .170 (4.3) | .250 (6.4)  | .630 (16.0) | .040 (1.0) | .136 (3.5)     |            |     |     |      |  |  |  |



**SOLDER TERMINALS**

\*Hollow turret For quantities greater than listed, call for quote.

| MOUSER STOCK NO.                  | Keystone Part No. | Fig. | Dimensions: in. (mm) |            |            |             |            | Price Each     |   |     |     |      |
|-----------------------------------|-------------------|------|----------------------|------------|------------|-------------|------------|----------------|---|-----|-----|------|
|                                   |                   |      | A                    | B          | C          | E           | R          | Mtg. Hole Dia. | 1 | 100 | 500 | 1000 |
| <b>Turret</b>                     |                   |      |                      |            |            |             |            |                |   |     |     |      |
| 534-11300                         | 11300             | E    | .125 (3.2)           | .039 (2.4) | .100 (2.5) | .210 (5.3)  | .060 (1.5) | .086 (2.2)     |   |     |     |      |
| 534-11301                         | 11301             | E    | .125 (3.2)           | .093 (2.4) | .080 (2.0) | .250 (6.4)  | .080 (2.0) | .086 (2.2)     |   |     |     |      |
| 534-11302                         | 11302             | E    | .125 (3.2)           | .093 (2.4) | .100 (2.5) | .250 (6.4)  | .080 (2.0) | .086 (2.2)     |   |     |     |      |
| 534-11303                         | 11303             | E    | .172 (4.4)           | .148 (3.8) | .140 (3.6) | .194 (4.9)  | .093 (2.4) | .136 (3.5)     |   |     |     |      |
| 534-11304                         | 11304             | E    | .172 (4.4)           | .148 (3.8) | .110 (2.8) | .250 (6.4)  | .080 (2.0) | .136 (3.5)     |   |     |     |      |
| 534-11305                         | 11305             | E    | .172 (4.4)           | .148 (3.8) | .125 (3.2) | .303 (7.7)  | .080 (2.0) | .136 (3.5)     |   |     |     |      |
| 534-11306                         | 11306             | E    | .172 (4.4)           | .148 (3.8) | .165 (4.2) | .290 (7.4)  | .093 (2.4) | .136 (3.5)     |   |     |     |      |
| 534-11307                         | 11307             | E    | .172 (4.4)           | .148 (3.8) | .250 (6.4) | .290 (7.4)  | .093 (2.4) | .136 (3.5)     |   |     |     |      |
| 534-11308                         | 11308             | E    | .172 (4.4)           | .148 (3.8) | .165 (4.2) | .437 (11.1) | .093 (2.4) | .136 (3.5)     |   |     |     |      |
| 534-11310                         | 11310             | F    | .125 (3.2)           | .093 (2.4) | .100 (2.5) | .170 (4.3)  | .060 (1.5) | .086 (2.2)     |   |     |     |      |
| 534-11311                         | 11311             | F    | .172 (4.4)           | .148 (3.8) | .100 (2.5) | .210 (5.3)  | .080 (2.0) | .136 (3.5)     |   |     |     |      |
| 534-11312                         | 11312             | F    | .187 (4.8)           | .171 (4.3) | .155 (3.9) | .210 (5.3)  | .080 (2.0) | .158 (4.0)     |   |     |     |      |
| 534-11320                         | 11320             | G    | .172 (4.4)           | .148 (3.8) | .100 (2.5) | .150 (3.8)  | .080 (2.0) | .136 (3.5)     |   |     |     |      |
| 534-11321                         | 11321             | G    | .187 (4.8)           | .165 (4.2) | .150 (3.8) | .370 (9.4)  | .090 (2.3) | .152 (3.9)     |   |     |     |      |
| * 534-11322                       | 11322             | G    | .150 (3.8)           | .125 (3.2) | .110 (2.8) | .180 (4.6)  | .090 (2.3) | .113 (2.9)     |   |     |     |      |
| <b>Turret-To-Turret Feed-thru</b> |                   |      |                      |            |            |             |            |                |   |     |     |      |
| 534-11250                         | 11250             | H    | .312 (7.9)           | .171 (4.3) | .171 (4.3) | .196 (5.0)  | .093 (2.4) | .158 (4.0)     |   |     |     |      |
| 534-11251                         | 11251             | H    | .200 (5.1)           | .172 (4.4) | .125 (3.2) | .195 (5.0)  | .090 (2.3) | .158 (4.0)     |   |     |     |      |
| <b>Turret-To-Pin Feed-thru</b>    |                   |      |                      |            |            |             |            |                |   |     |     |      |
| 534-11216                         | 11216             | I    | .172 (4.4)           | .148 (3.8) | .100 (2.5) | .250 (6.4)  | .080 (2.0) | .136 (3.5)     |   |     |     |      |
| 534-11217                         | 11217             | I    | .172 (4.4)           | .148 (3.8) | .230 (5.8) | .375 (9.5)  | .093 (2.4) | .066 (1.7)     |   |     |     |      |
| 534-11218                         | 11218             | J    | .093 (2.4)           | .075 (1.9) | .100 (2.5) | .140 (3.6)  | .060 (1.5) | .066 (1.7)     |   |     |     |      |