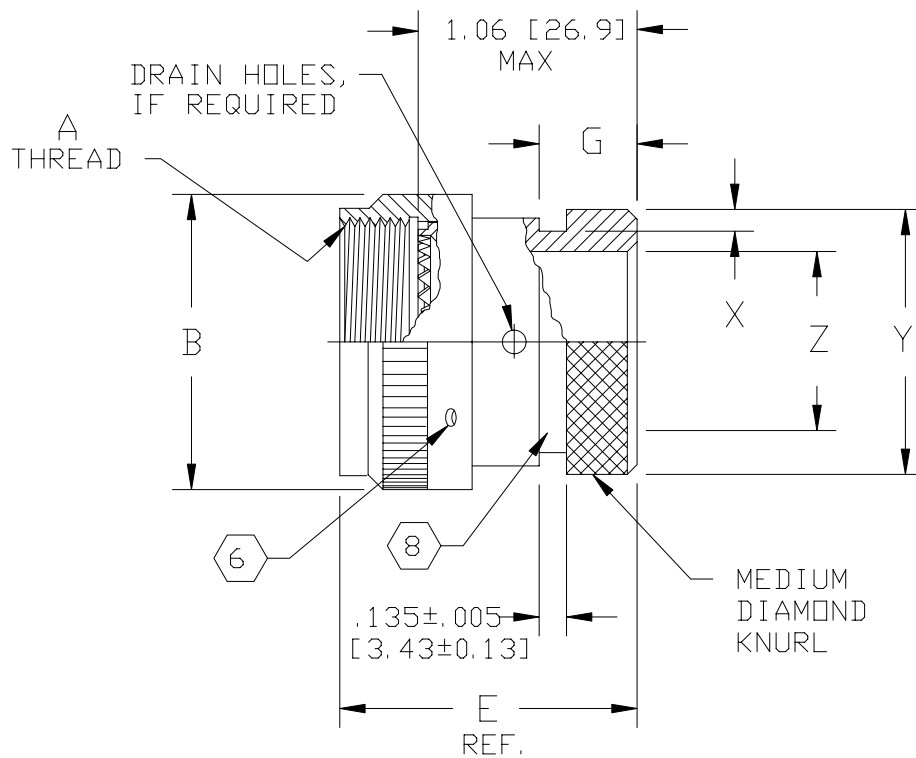


REVISIONS			
LTR	DESCRIPTION	DATE	APPROVED
J	REVISED PER ECN AD93014		



NOTES:

- THIS PRODUCT IS DESIGNED TO TERMINATE A HEAT SHRINKABLE LIPPED BOOT TO A CONNECTOR.
- FOR ADDITIONAL DIMENSIONS, ORDERING INFORMATION AND MODIFICATIONS, SEE CH00-0250-0
- ADAPTER TO BE PERMANENTLY MARKED WITH CODE IDENT. NO. AND PART NO. (E.G.: 06090-201M112-19A).
- ADAPTER MATES TO MIL-C-81703, SERIES III, MS3424, MS3446, MS3464, MS3467, MS3468, CLASS E & L
- ADAPTER MATES TO MIL-C-5015G, MS3400 SERIES, CLASS D, E, K, L, U & W: MS3400, MS3401, MS3404, MS3406, MS3450, MS3451, MS3454, MS3456, MS3470, MS3471, MS3472, MS3474, MS3475, MS3476. MIL-C-83723, SERIES II, CLASS A & L. MIL-C-83723, SERIES I & III, CLASS A, G, K, R & S: M83723/1, /2, /3, /4, /5, /6, /7, /8, /13, /14, /36, /37, /38, /39, /40, /41, /42, /43, /48, /49, /65, /66, /67, /68, /69, /70, /71, /72, /73, /74, /75, /76, /77, /78, /82, /83, /84, /85, /86, /87, /91, /92, /95, /97, /98, (MS3155 CONTROLLED INTERFACE).
- COUPLING NUT SHALL HAVE 3 LOCK WIRE HOLES, 120° APART.
- THIS PRODUCT IS A FUNCTIONAL EQUIVALENT OF MIL-C-85049/60-1.
- KNURL INSIDE BOOT GROOVE MAY BE SUPPLIED AT MANUFACTURER'S OPTION.

If this document is printed it becomes uncontrolled.
Check for the latest revision.

SPECIFICATION CONTROL DRAWING

UNLESS OTHERWISE SPECIFIED DIMENSIONS ARE IN INCHES. METRIC DIMENSIONS ARE IN BRACKETS. DECIMALS .XXX ± — [mm] .XX ± — [mm] .X ± — [mm] ANGLES .X ± —	DRAWN R. RAMIREZ	DATE 03-18-93		Tyco Electronics Corporation 300 Constitution Drive Menlo Park, CA. 94025 U.S.A.		
	CHECKED	DATE				
	APPROVED W. C. GAY	DATE 05-19-93	TITLE ADAPTER, SPIN COUPLING CODE 54			
	APPROVED	DATE	CAD NAME \ACAD12\201M1XX	SIZE A	CODE IDENT. NO. 06090	DWG. NO. 201M1XX
THIRD ANGLE PROJECTION			DO NOT SCALE THIS DWG		SHEET 1 OF 2	

BASE PART NO.	SHELL SIZE		A THREAD CLASS 2B	B MAX DIA	Y	X	E REF. DIM	Z MIN DIA	G MAX DIM
	4	5			+0.00 -0.020 [+0.00] [-0.51] DIA	+0.008 -0.000 [+0.20] [-0.00] DIM			
201M103	3		.562-24 UNEF	.669 [16.99]	.533 [13.54]	.044 [1.12]	1.125 [28.58]	.250 [6.35]	.425 [10.80]
201M108		8 & 8S	.500-20 UNF	.617 [15.67]	.533 [13.54]	↑	↑	.250 [6.35]	↑
201M110		10, 10S & 10SL	.625-24 UNEF	.734 [18.64]	.605 [15.37]	↑	↑	.355 [9.02]	↑
201M112	7	12 & 12S	.750-20 UNEF	.858 [21.79]	.774 [19.66]	↑	↑	.491 [12.47]	↑
201M114	12	14 & 14S	.875-20 UNEF	.984 [24.99]	.838 [21.29]	↑	↑	.565 [14.35]	↑
201M116	19	16 & 16S	1.000-20 UNEF	1.112 [28.24]	.963 [24.46]	↓	↓	.690 [17.53]	↓
201M118	27	18	1.062-18 UNEF	1.218 [30.94]	1.042 [26.47]	.044 [1.12]	↓	.769 [19.53]	↓
201M120	37	20	1.188-18 UNEF	1.345 [34.16]	1.217 [30.91]	.069 [1.75]	↓	.894 [22.71]	↓
201M122		22	1.312-18 UNEF	1.468 [37.29]	1.355 [34.42]	↑	↓	1.019 [25.88]	↓
201M124		24	1.438-18 UNEF	1.593 [40.46]	1.443 [36.65]	↓	1.125 [28.58]	1.134 [28.80]	↓
201M128		28	1.750-18 UNS	1.969 [50.01]	1.709 [43.41]	.069 [1.75]	1.287 [32.69]	1.369 [34.77]	.425 [10.80]
201M132		32	2.000-18 UNS	2.219 [56.36]	1.919 [48.74]	.086 [2.18]	1.449 [36.80]	1.615 [41.02]	.587 [14.91]
201M136		36	2.250-16 UN	2.469 [62.71]	2.169 [55.09]	↑	↑	1.830 [46.48]	↑
201M140		40	2.500-16 UN	2.719 [69.06]	2.402 [61.01]	↑	↑	2.045 [51.94]	↑
201M144		44	2.750-16 UN	2.969 [75.41]	2.657 [67.49]	↓	↓	2.300 [58.42]	↓
201M148		48	3.000-16 UN	3.219 [81.76]	2.907 [73.84]	.086 [2.18]	1.449 [36.80]	2.550 [64.77]	.587 [14.91]
201M161	61		1.500-18 UNEF	1.653 [41.99]	1.443 [36.65]	.069 [1.75]	1.125 [28.58]	1.174 [29.82]	.425 [10.80]

If this document is printed it becomes uncontrolled.
Check for the latest revision.

SIZE	CODE IDENT. NO.	DWG. NO.	REV
A	06090	201M1XX	J
DO NOT SCALE THIS DWG		CAD NAME \ACAD12\201M1X-2	SHEET 2 OF 2