

Specifications List by Part Number

Part Number	Absolute Maximum Ratings						I _{GSS}		I _{BSS}		V _{TH}				
	V _{DSS} (V)	V _{GSS} (V)	I _D (A)	I _{D (pulse)} (A)	P _D (W)	E _{AS} (mJ)	Conditions						Conditions		
							(nA)	V _{GS} (V)	(μA)	V _{DS} (V)	(V)	V _{DS} (V)	I _D (μA)		
	max						min	max	min	max	min	max	min	max	
2SK1179	500	±20	±8.5	±34	85	400	±500	±20		250	500	2.0	4.0	10	250
2SK1183	200	±20	±3	±12	25	30	±500	±20		250	200	2.0	4.0	10	250
2SK1188	60	±20	±10	±40	25	2.1	±500	±20		250	60	2.0	4.0	10	250
2SK2419	60	±20	±25	±100	35	26	±100	±20		100	60	2.0	4.0	10	250
2SK2420	60	±20	±30	±120	40	38	±100	±20		100	60	2.0	4.0	10	250
2SK2701	450	±30	±7	±28	35	130	±100	±30		100	450	2.0	4.0	10	1m
2SK2702*	450	±30	±10	±40	35	300	±100	±30		100	450	2.0	4.0	10	1m
2SK2704	450	±30	±13	±52	40	400	±100	±30		100	450	2.0	4.0	10	1m
2SK2707*	600	±30	±4.5	±18	35	50	±100	±30		100	600	2.0	4.0	10	1m
2SK2709*	600	±30	±8.5	±34	85	300	±100	±30		100	600	2.0	4.0	10	1m
2SK2710A	600	±30	±12	±48	85	400	±100	±30		100	600	2.0	4.0	10	1m
2SK2778	100	±20	±12	±48	30	70	±100	±20		100	100	1.0	2.0	10	250
2SK2779	100	±20	±20	±80	35	200	±100	±20		100	100	1.0	2.0	10	250
2SK2803	450	±30	±3	±12	30	30	±100	±30		100	450	2.0	4.0	10	1m
2SK2805*	450	±30	±15	±60	80	550	±100	±30		100	450	2.0	4.0	10	1m
2SK2848	600	±30	±2	±8	30	10	±100	±30		100	600	2.0	4.0	10	250
2SK2943	900	±30	±3	±12	30	60	±100	±30		100	900	2.0	4.0	10	1m
2SK2945	900	±30	±5	±20	35	120	±100	±30		100	900	2.0	4.0	10	1m
2SK3002*	200	±20	±8	±32	30	55	±100	±20		100	200	2.0	4.0	10	1m
2SK3003	200	±20	±18	±72	35	120	±100	±20		100	200	2.0	4.0	10	1m
2SK3004	250	±20	±18	±72	35	120	±100	±20		100	250	2.0	4.0	10	1m
2SK3199	500	±30	±5	±20	30	35	±100	±30		100	500	2.0	4.0	10	1m
2SK3710*	60	±20	±70	±140	90	468	±10μ	±15		100	60	2.0	4.0	10	1m
2SK3711	60	±20	±70	±140	130		±10μ	±15		100	60	2.0	4.0	10	1m
2SK3724*	60	±20	±80	±160	80	400	±10μ	±20		100	60	1.0	2.0	10	1m
2SK3800	40	±20	±70	±140	80	400	±10	±15		100	40	2.0	4.0	10	1m
2SK3801	40	±20	±70	±140	100	400	±10	±15		100	40	2.0	4.0	10	1m
2SK3851*	60	±20	±85	±280	150	280	±10μ	±20		100	60	2.0	3.0	10	1m
EKV550	50	±20	±50	±150	85	150	±10μ	±20		100	50	3.0	4.2	10	250
FKP202	250	±30	±45	±180	40	200	±100	±30		100	200	3.0	4.5	10	1m
FKP250A	250	±30	±50	±200	85	400	±100	±30		100	250	3.0	4.5	10	1m
FKP252	250	±30	±25	±100	40	200	±100	±30		100	250	3.0	4.5	10	1m
FKP253	250	±30	±20	±80	40	160	±100	±30		100	250	3.0	4.5	10	1m
FKP280A	280	±30	±40	±160	85	400	±100	±30		100	280	3.0	4.5	10	1m
FKP300A	300	±30	±30	±120	85	400	±100	±30		100	300	3.0	4.5	10	1m
FKV460S	40	+20, -10	±60	±180	60		+10, -5μ	+20, -10		100	40	1.0	2.5	10	250
FKV550T	50	±20	±50	±150	35	150	±10μ	±20		100	50	1.0	2.5	10	250
FKV550N	50	±20	±50	±150	35	150	±10μ	±20		100	50	3.0	4.2	10	250
FKV660S	60	+20, -10	±60	±180	60		+10, -5μ	+20, -10		100	60	1.0	2.5	10	250
SKP202	200	±30	±45	±180	95	200	±100	±30		100	200	3.0	4.5	10	1m
SKP253	250	±30	±20	±80	40	160	±100	±30		100	250	3.0	4.5	10	1m

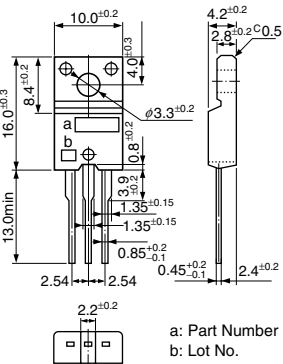
*Under development

Electrical Characteristics																Package
R _e (y/s)		Conditions		C _{iss} (pF)	C _{rss} (pF)	Conditions		R _{DS(ON)}								
								(S)		(Ω)		Conditions		(Ω)		
min	typ	V _{DS} (V)	I _D (A)	typ	typ	V _{GS} (V)	V _{DS} (V)	typ	max	V _{GS} (V)	I _D (A)	typ	max	V _{GS} (V)	I _D (A)	
5.1	7.7	10	4.5	1300		0	25	0.7	0.85	10	4.5					
0.8	1.2	10	1.5	140		0	25	1.2	1.5	10	1.5					TO-220F (FM20)
2.2	3.3	10	5	300		0	25	0.15	0.2	10	5					TO-220F (FM20)
10	15	10	12	1300	200	0	25	31m	37m	10	12					TO-220F (FM20)
13	20	10	15	2200		0	25	21m	28m	10	15					TO-220F (FM20)
3.5	5	20	3.5	720	62	0	10	0.84	1.1	10	3.5					TO-220F (FM20)
5	7	20	5	1000	95	0	10	0.66	0.8	10	5					TO-220F (FM20)
6.0	9.0	20	6.5	1300	130	0	10	0.48	0.57	10	6.5					TO-220F (FM20)
2.4	3.5	20	2	560	65	0	10	1.45	1.85	10	2					TO-220F (FM20)
5.0	7.0	20	4	1200	150	0	10	0.65	0.85	10	4					TO-3PF (FM100)
7.5	11	20	6	1900	240	0	10	0.42	0.55	10	6					TO-3PF (FM100)
7	11	10	6	740	75	0	10	105m	175m	10	6	130m	220m	4	6	TO-220F (FM20)
12	20	10	10	1630	180	0	10	60m	80m	10	10	75m	95m	4	10	TO-220F (FM20)
1.5	2.1	20	1.5	340	26	0	10	2.1	2.8	10	1.5					TO-220F (FM20)
8.0	11.5	20	7.5	2100	210	0	10	0.30	0.38	10	7.5					TO-3PF (FM100)
1.2	1.7	20	1	290	30	0	10	3	3.8	10	1					TO-220F (FM20)
1.8	2.8	20	1.5	600	40	0	10	4	5	10	1.5					TO-220F (FM20)
2.0	4.5	20	2.5	880	70	0	10	2.3	3	10	2.5					TO-220F (FM20)
2.5	5.5	10	4	450	120	0	10	0.27	0.35	10	4					TO-220F (FM20)
7	11	10	9	850	250	0	10	130m	175m	10	9					TO-220F (FM20)
7	11	10	9	850	250	0	10	0.2	0.25	10	9					TO-220F (FM20)
3.5	5.2	20	2.5	650	110	0	10	1.2	1.5	10	2.5					TO-220F (FM20)
30	80	10	35	8000	1000	0	10	5m	6m	10	35					TO-220S (Surface-mount)
30	80	10	35	8000	1000	0	10	5m	6m	10	35					TO-3P (MT100)
				10600	1300	0	10	4m	5m	10	40					TO-220S (Surface-mount)
30	50	10	35	5100	860	0	10	5.0	6.0	10	35					TO-220S (Surface-mount)
30	50	10	35	5100	860	0	10	5.0	6.0	10	35					TO-3P (MT100)
30		10	42	11500	1100	0	10	4m	4.7m	10	42					TO-3P (MT100)
17		10	25	2000	500	0	10	12m	15m	10	25					TO-220 (MT25)
18	28	10	22	2000	80	0	25	45m	53m	10	22					TO-220F (FM20)
30	42	10	25	3800	210	0	25	37m	43m	10	25					TO-3PF (FM100)
13	21	10	12	2000	70	0	25	68m	75m	10	12					TO-220F (FM20)
8	17	10	10	1600	50	0	25	86m	95m	10	10					TO-220F (FM20)
25	38	10	20	3800	190	0	25	46m	53m	10	20					TO-3PF (FM100)
20	33	10	15	3800	180	0	25	57m	65m	10	15					TO-3PF (FM100)
20		10	25	2800	600	0	10	7m	9m	10	25					TO-220S (Surface-mount)
20		10	25	2700	500	0	10	10m	13m	10	25					TO-220F (FM20)
17		10	25	2000	500	0	10	12m	15m	10	25					TO-220F (FM20)
20		10	25	2500	150	0	10	11m	14m	10	25					TO-220S (Surface-mount)
18	28	10	22	2000	80	0	25	45m	53m	10	22					TO-263 (Surface-mount)
8	17	10	10	1600	50	0	25	88m	95m	10	10					TO-263 (Surface-mount)

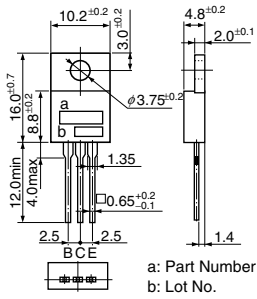
Package Type (Dimensions)

Package Type (Dimensions)

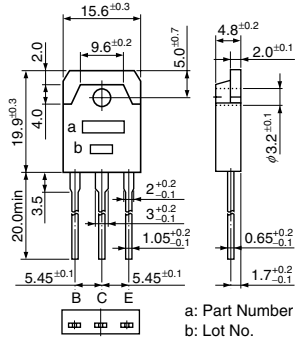
• TO-220F (FM20)



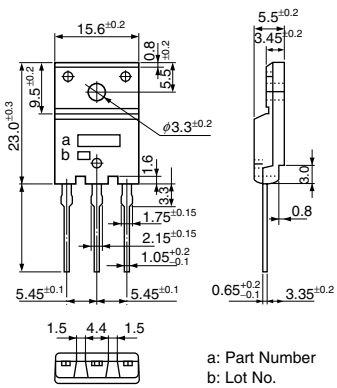
• TO-220 (MT-25)



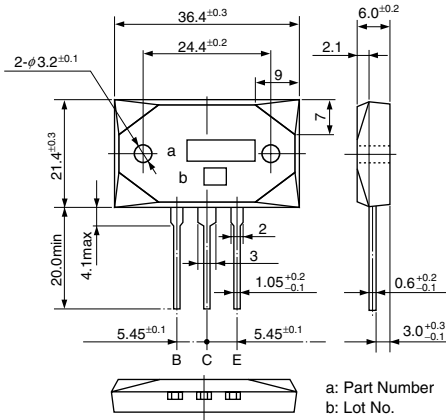
• TO-3P (MT-100)



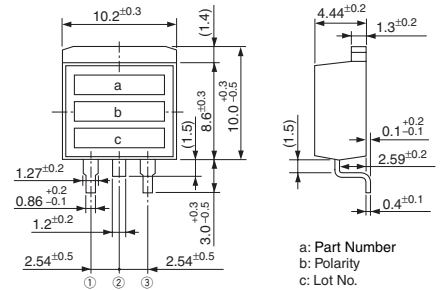
• TO-3PF (FM100)



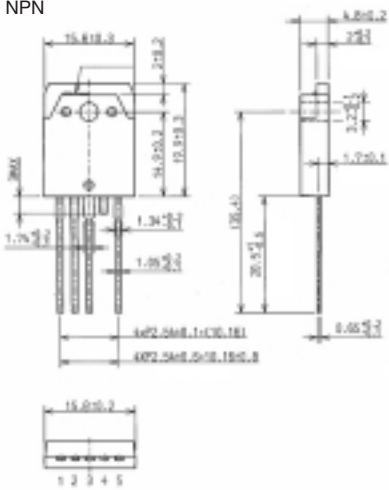
• MT-200



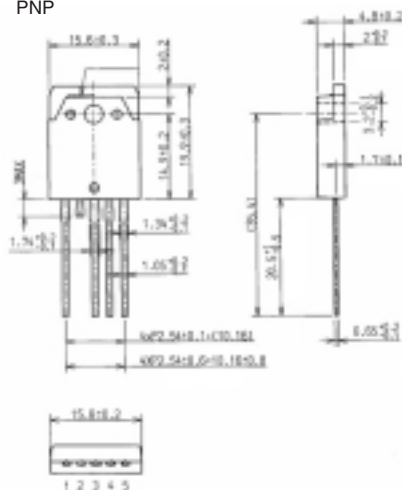
• TO-220S



• TO3P-5Pin
NPN



PNP



(Unit:mm)