

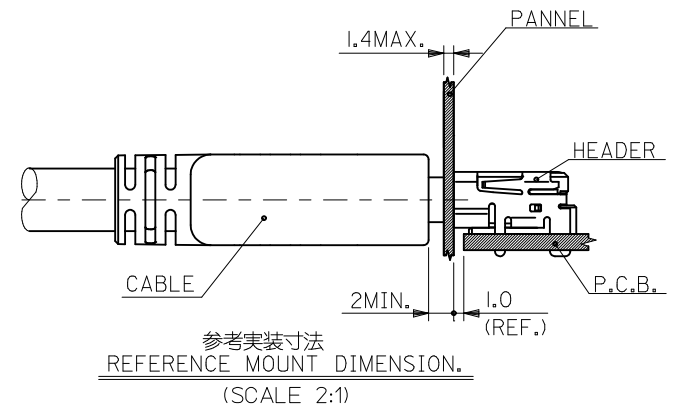
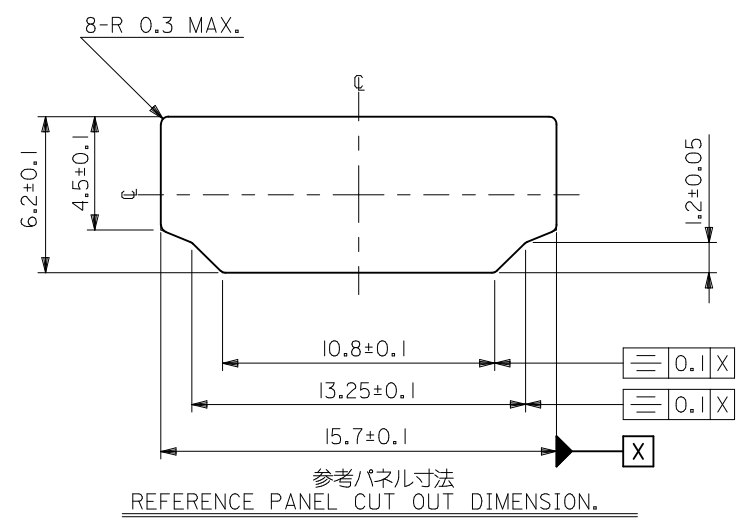
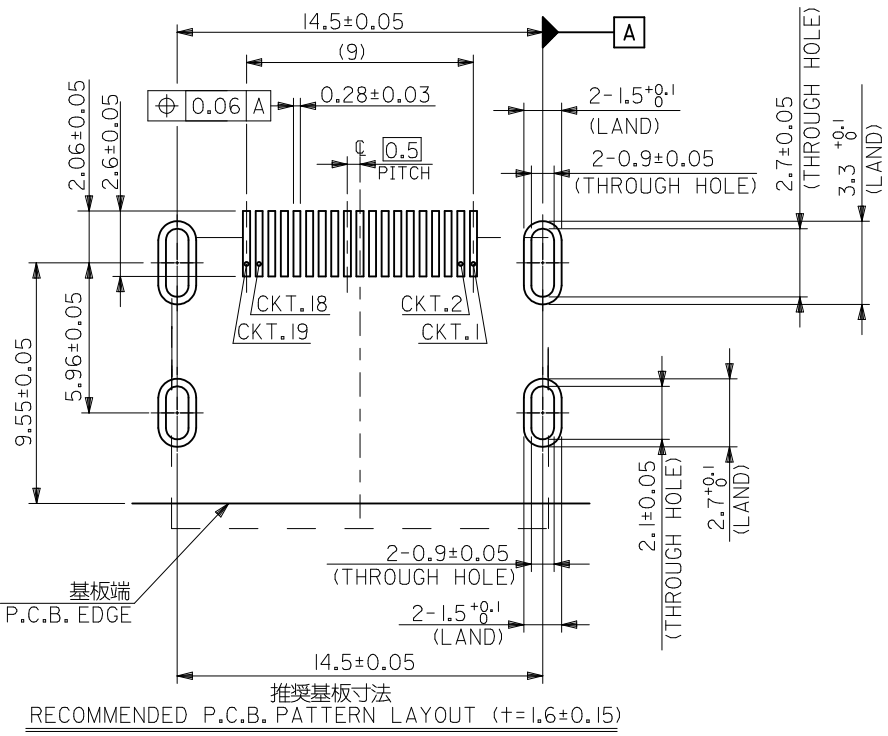
注記
NOTE

- 材質
MATERIAL
ハウジング: ガラス入り耐熱樹脂
HOUSING: GLASS FILLED HEAT-RESISTED RESIN, UL94V-0
ターミナル: 銅合金
TERMINAL: COPPER ALLOY
シェル: 銅合金
SHELL: COPPER ALLOY
- めっき仕様
PLATING
ターミナル: <接点部>金めっき 0.76μm以上
TERMINAL <CONTACT AREA>: (1) GOLD(Au) 0.76 MICROMETER MINIMUM.
(2) GOLD FLASH OVER Pd/Ni

<半田付け部>錫めっき 1.0μm以上
<SOLDER TAIL AREA> TIN(Sn) 1.0 MICROMETER MINIMUM.
<下地>ニッケルめっき 2μm以上
<UNDER-PLATING> NICKEL(Ni) 2 MICROMETER MINIMUM.
シェル: 錫めっき 1.0μm以上
SHELL TIN(Sn) 1.0 MICROMETER MINIMUM.
下地ニッケルめっき 1.27μm以上
UNDER-PLATING NICKEL (Ni) 1.27 MICROMETER MINIMUM.
- テール部の平坦度: 0.1 MAXIMUM.
COPLANALITY OF TAIL: 0.1 MAXIMUM.

| | | |
|------------------|----------------------|-----------|
| 500254-1926 | SEE NOTES 2(2) | 19 |
| 500254-1927 | SEE NOTES 2(1) | |
| EMBOSS PACKAGING | | CURCUIITS |
| MATERIAL NO. | CONTACT AREA PLATING | |

| | | | | | | | | | | |
|---|---------------------------------------|-------------|----------------------------|---|--|--------------|------------------------|-----------|------------------------|--|
| ADD NEW P/N EC NO: S2012-0578 DRWN: ZENG 2012/01/18 CHKD: JESSIECHUA 2012/03/15 APPR: NAGESHKN 2012/03/19 | GENERAL TOLERANCES (UNLESS SPECIFIED) | | DIMENSION STYLE MM ONLY | | SCALE | | DESIGN UNITS METRIC | | THIRD ANGLE PROJECTION | |
| | 10 UNDER | ±0.2 | DRAWN BY | DATE | TITLE | | | | | |
| | 10 OVER 30 UNDER | ±0.25 | K. TOYODA | '04/03/26 | HDMI RIGHT ANGLE HEADER ASSY -LEAD FREE- | | | | | |
| | 30 OVER | ±0.3 | K. ASAKAWA | '04/03/26 | | | | | | |
| | ANGULAR ±3 ° | | APPROVED BY | | DATE | | MOLEX INCORPORATED | | | |
| DRAFT WHERE APPLICABLE MUST REMAIN WITHIN DIMENSIONS | | S. ICHIKAWA | | '04/03/26 | | DOCUMENT NO. | | SHEET NO. | | |
| C1 | REV | SEE CHART | | SD-500254-005 | | 1 OF 3 | | | | |
| | | SIZE A3 | | THIS DRAWING CONTAINS INFORMATION THAT IS PROPRIETARY TO MOLEX INCORPORATED AND SHOULD NOT BE USED WITHOUT WRITTEN PERMISSION | | | | | | |

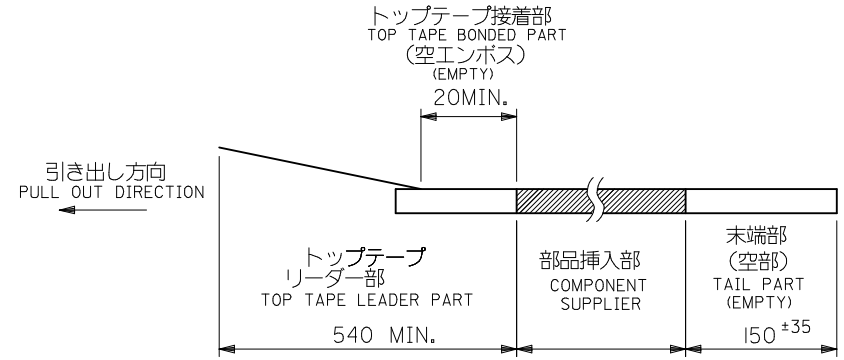
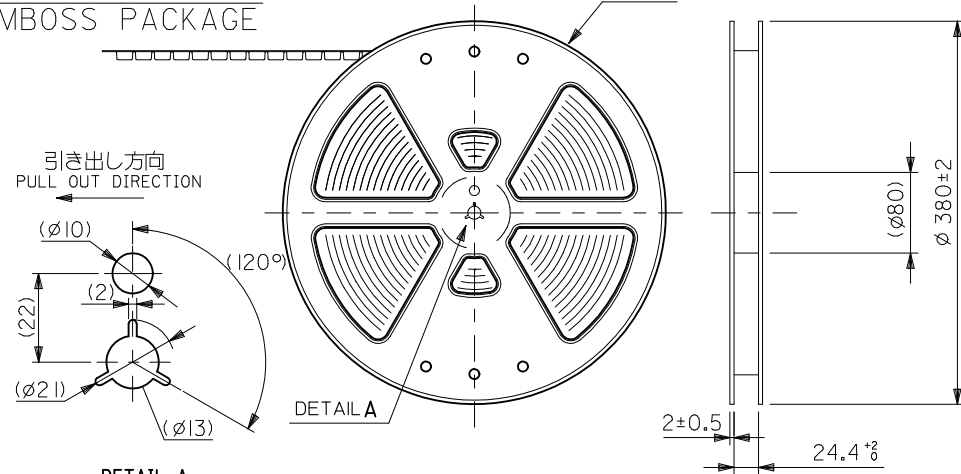


| | | | | | | |
|--|---------------------------------------|---------------------------|----------------------------|---|---|------------------------|
| SEE SHEET1 EC NO: S2012-0578 DRWN: ZENG 2012/01/18 CHKD: JESSIECHUA 2012/03/15 APPR: NAGESHKN 2012/03/19 | GENERAL TOLERANCES (UNLESS SPECIFIED) | | DIMENSION STYLE MM ONLY | SCALE | DESIGN UNITS METRIC | THIRD ANGLE PROJECTION |
| | 10 UNDER | ±0.2 | DRAWN BY K. TOYODA | DATE '04/03/26 | TITLE HDMI RIGHT ANGLE HEADER ASSY -LEAD FREE- | |
| | 10 OVER 30 UNDER | ±0.25 | CHECKED BY K. ASAKAWA | DATE '04/03/26 | MOLEX INCORPORATED | |
| | 30 OVER | ±0.3 | APPROVED BY S. ICHIKAWA | DATE '04/03/26 | DOCUMENT NO. SD-500254-005 | SHEET NO. 2 OF 3 |
| ANGULAR | ±3 ° | MATERIAL NO. SEE CHART | | THIS DRAWING CONTAINS INFORMATION THAT IS PROPRIETARY TO MOLEX INCORPORATED AND SHOULD NOT BE USED WITHOUT WRITTEN PERMISSION | | |
| DRAFT WHERE APPLICABLE MUST REMAIN WITHIN DIMENSIONS | | | | | | |

エンボス梱包
EMBOSS PACKAGE

NOTE

- 梱包数量： 500 個/リール
NUMBER OF CONNECTORS:500 PCS/REEL
- リードテープ長さ
LEAD TAPE LENGTH

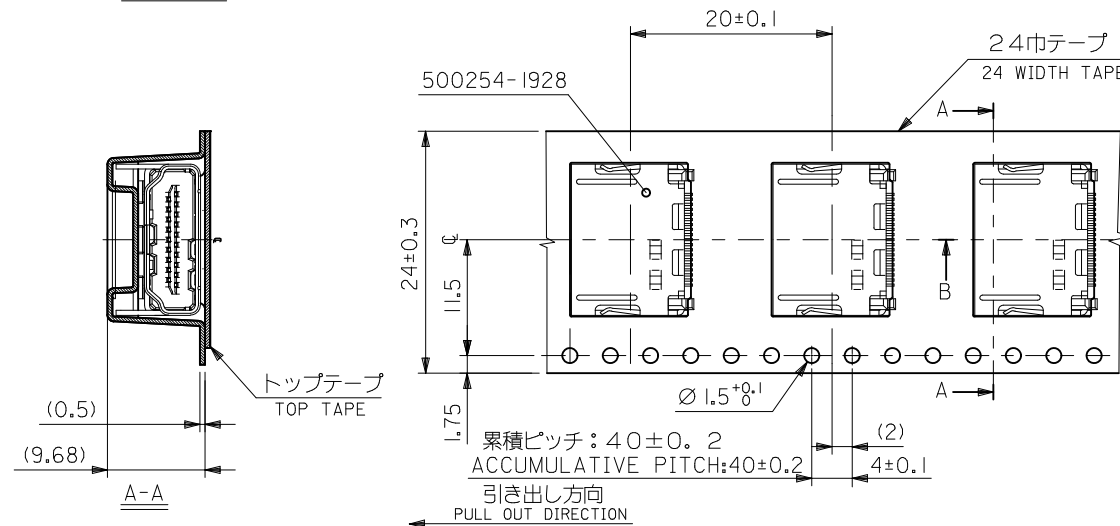


- トップテープの剥離強度：0.1 □ 1.3N (10 □ 130gf)
(剥離方向は下図参照) キャリアテープ幅：2.4 mm
PEEL-OFF FORCE OF TOP TAPE: 0.1 □ 1.3N (10 □ 130gf)
(PEELING DIRECTION AS SHOWN IN FOLLOWING FIG.)
CARRIER TAPE WIDTH

尚、本規格値は、出荷時に適用。
THIS REQUIREMENT SHOULD BE APPLIED AT SHIPMENT
(但し、輸送時に剥離が発生しない事。)
(PEEL OFF SHOULD NOT BE ALLOWED, DURING TRANSPORTATION)



- 材料
MATERIAL
キャリアテープ：ポリプロピレン
CARRIER TAPE: POLYPROPYLENE
トップテープ：ポリエステル、ポリエチレン
TOP TAPE: POLYESTER, POLYETHYLENE
リール：ポリスチレン
REEL: POLYSTYRENE



エンボステープ内の製品の向き
DIRECTION OF CONNECTOR IN EMBOSS TAPE

| | |
|--------------|----------|
| 500254-1926 | |
| 500254-1927 | 19 |
| MATERIAL NO. | CURCUITS |

| | | | | | | | | | | |
|---|--------------------|--|-------|----------------------------|-------------------|-------------------------------|--|------------------------|--|--|
| SEE SHEET 1 EC NO: S2012-0578 DRWN: ZENG 2012/01/18 CHKD: JESSIECHUA 2012/03/15 APPR: MAGESHKN 2012/03/19 | DESCRIPTION REV | GENERAL TOLERANCES (UNLESS SPECIFIED) | | DIMENSION STYLE MM ONLY | | SCALE | DESIGN UNITS METRIC | THIRD ANGLE PROJECTION | | |
| | | 10 UNDER | ±0.2 | DRAWN BY K. TOYODA | DATE '04/03/26 | TITLE | HDMI RIGHT ANGLE HEADER ASSY -LEAD FREE- | | | |
| | | 10 OVER 30 UNDER | ±0.25 | CHECKED BY K. ASAKAWA | DATE '04/03/26 | MOLEX INCORPORATED | | | | |
| | | 30 OVER | ±0.3 | APPROVED BY S. ICHIKAWA | DATE '04/03/26 | | | | | |
| ANGULAR ±3 ° | | DRAFT WHERE APPLICABLE MUST REMAIN WITHIN DIMENSIONS | | MATERIAL NO. SEE CHART | | DOCUMENT NO. SD-500254-005 | | SHEET NO. 3 OF 3 | | |
| THIS DRAWING CONTAINS INFORMATION THAT IS PROPRIETARY TO MOLEX INCORPORATED AND SHOULD NOT BE USED WITHOUT WRITTEN PERMISSION | | | | | | | | | | |