

TECHNICAL CHARACTERISTICS

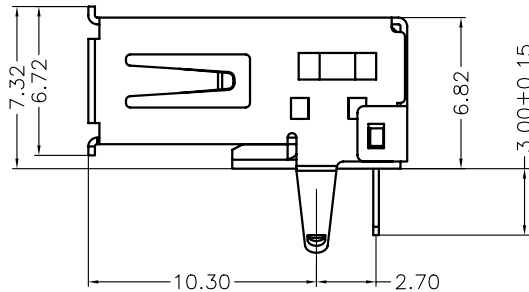
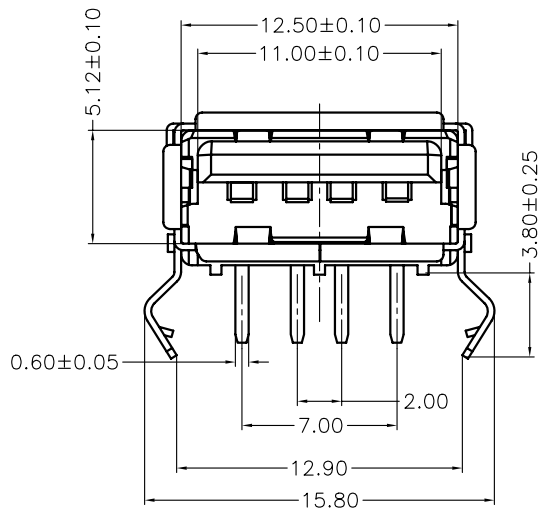
MATERIAL
 INSULATOR: PBT
 COLOR: WHITE
 CONTACT MATERIAL: COPPER ALLOY
 CONTACT TYPE: STAMPED
 CONTACT PLATING: SELECTIVE GOLD
 SHIELDING: BRASS NI PLATED
 QUALITY CLASS: 1500 MATING CYCLES

ENVIRONMENTAL
 OPERATING TEMPERATURE: -40 UP TO 105°C
 FLAMABILITY RATING: UL94-V0
 COMPLIANCE: LEAD FREE AND ROHS

ELECTRICAL
 CURRENT RATING: 1A
 WORKING VOLTAGE: 30V AC
 INSULATOR RESISTANCE: >1000 MOHM
 DIELECTRIC WITHSTANDING VOLTAGE: 750V AC/MN
 CONTACT RESISTANCE: 20 mOHM MAX

SOLDERING
 WAVE PROCESS ONLY

PACKAGING
 TRAY



RoHS Compliant	
G	08-JUL-09
F	05-DEC-07
E	02-MAR-07
D	01-FEB-07
C	10-JAN-06
B	29-MAR-04
A	31-JAN-01
REV	DATE

PACKAGING	JC
MODIFICATIONS	EC
UPDATE	EC
DRAW	EC
LEAD FREE	JP
PDF	JP
DRAW	PEARL
FILE	BY

PROJECTION:	
APPROVAL: RJ	

GENERAL TOLERANCE
.X = +/- 0.2
.XX = +/- 0.15
UNIT: MM
SCALE:
SHEET: 1/2
DRAW: PEARL

DESCRIPTION: USB FEMALE R/A A TYPE	
WERI PART NO: 61400416021	

SIZE
A4

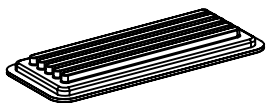
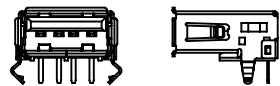
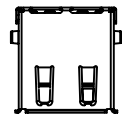
1

2

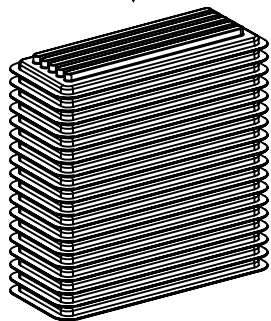
3

4

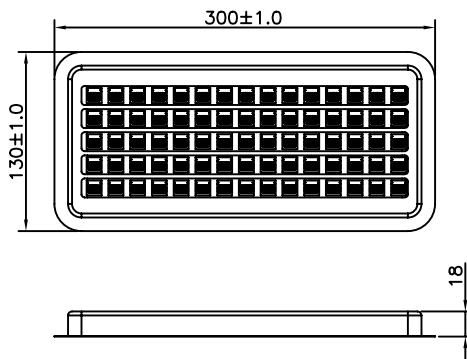
5



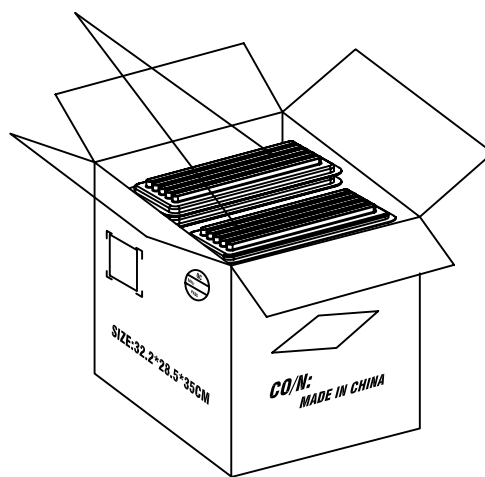
TRAY



22 TRAYS



Two Row

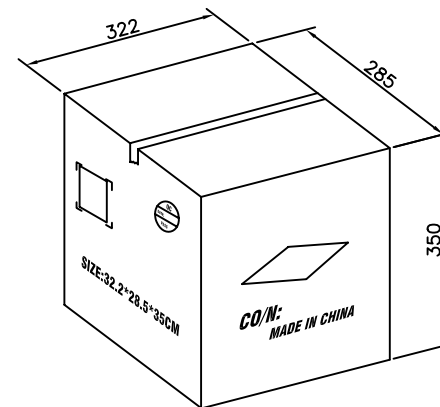


Note:

1.Dimension:
Tray Size: 300(L)X130(W)X18.0(H) (mm)
Carton Size: 322X285X350 (mm)

2.Quqntity:
60pcs/Tray
44Tray/ Carton
Q'TY: 2640pcs

3.G.W: 7.12KG/Carton

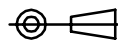


CARTON

RoHS Compliant

G			
F			
E			
D			
C			
B			
A			
REV	DATE	FILE	BY

PROJECTION:



APPROVAL: RJ

GENERAL TOLERANCE

.X = +/- 0.2

.XX = +/- 0.15

UNIT: MM

SCALE:

SHEET: 2/2

DRAW: PEARL



DESCRIPTION: USB FEMALE R/A A TYPE

WERI PART NO: 61400416021

SIZE

A4