

80mm sq.

San Ace 80

15mm thick, 20mm thick, 25mm thick
 25mm thick (San Cooler), 32mm thick
 38mm thick (GV type), 38mm thick (G type)



General Specifications With a pulse sensor Specifications for pulse sensors ⇨ Refer to Page 291

With PWM speed control function ⇨ Refer to Page 293

- Material Frame: Plastics (Flammability: UL94V-0),
 Impeller: Plastics (Flammability: UL94V-1)
- Life Expectancy Varies for each model (L10: Survival rate: 90% at 60°C,
 rated voltage, and continuously run in a free air state)
- Lead Wire ⊕ red ⊖ black (Sensor) yellow (Control) brown
- Storage Temperature -30°C to +70°C (Non-condensing)

80×80×38mm (Mass : 220g)

GV type

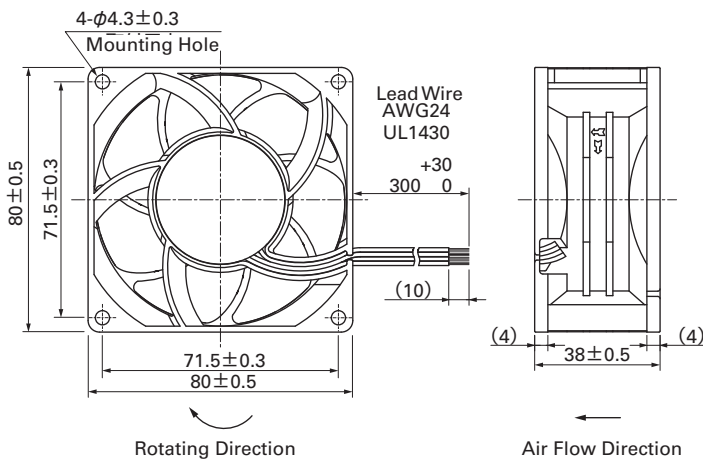
Specifications The numbers in () represent ribless models.

Model No.	Rated Voltage [V]	Operating Voltage Range [V]	PWM duty cycle※ [%]	Rated Current [A]	Rated Input [W]	Rated Speed [min ⁻¹]	Air Flow [m ³ /min] [CFM]	Static Pressure [Pa] [inchH ₂ O]	SPL [dB(A)]	Operating Temperature [°C]	Life Expectancy [h]
9GV0812P1G03(031)	12	10.8 to 13.2	100	3.80	45.60	10,200	3.90 138.0	490.0 1.97	65	-10 to +70	40,000
			0	0.32	3.84	3,000	1.15 40.6	42.4 0.17	34		
9GV0812P1H03(031)			100	3.00	36.00	9,700	3.70 131.0	440.0 1.77	63		
			0	0.20	2.40	2,900	1.11 39.2	39.0 0.16	34		
9GV0812P1F03		10.2 to 13.8	100	1.5	18	8,000	3.05 108.0	301.0 1.21	58		
			0	0.12	1.44	2,400	0.92 32.0	27.1 0.11	26		
9GV0812P1M03	100		0.75	9	6,000	2.29 81.0	169.0 0.68	51			
	0		0.09	1.08	1,700	0.65 23.0	13.6 0.05	19			
9GV0848P1G03	48	40.8 to 55.2	100	0.84	40.32	10,200	3.9 138.0	490.0 1.97	65		
			0	0.15	7.2	4,700	1.79 63.2	104.0 0.41	44		

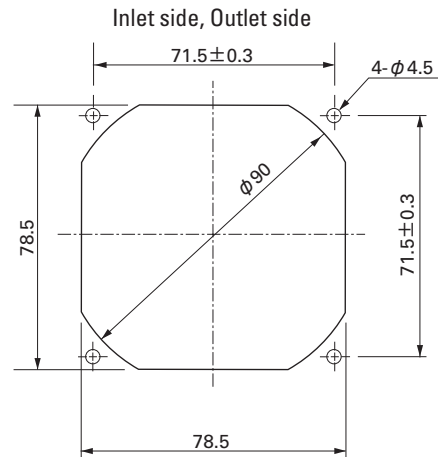
※PWM Frequency : 25kHz

Without Sensor **Pulse Sensor** **PWM Control** Available in all models. **Lock Sensor** Please inquire as the availability of these functions depend on the model.

Dimensions (Unit : mm) (With ribs)



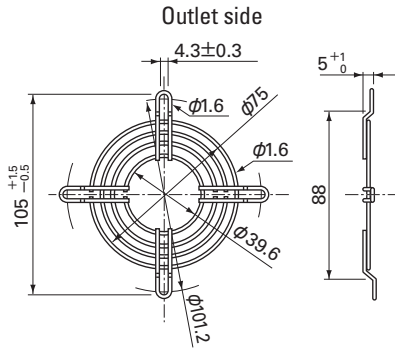
Reference dimension of mounting holes and vent opening (Unit : mm)



Options (Unit : mm)

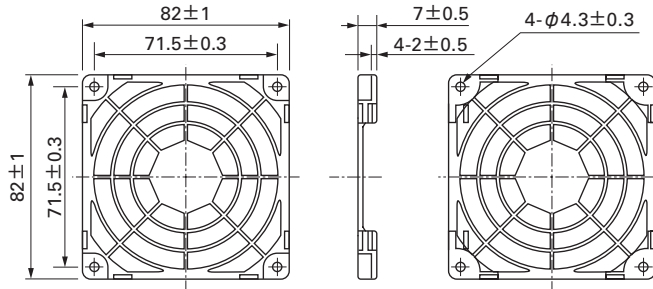
Finger guards

Model : 109-049C Color : Nickel-chrome plating (silver)
 Surface treatment : Nickel-chrome plating (silver)



Resin finger guards

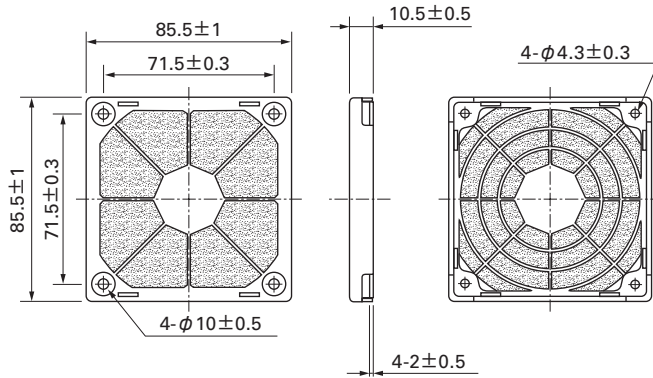
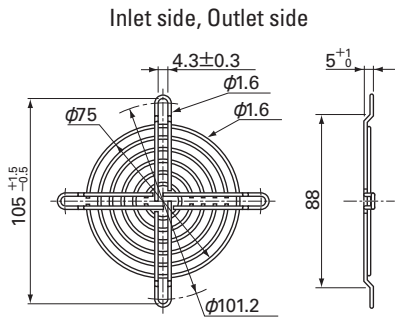
Model : 109-1002G



Model : 109-049E Color : Nickel-chrome plating (silver)
 Surface treatment : Nickel-chrome plating (silver)
 : 109-049H : Cation electropainting (black)

Resin filter kits

Model : 109-1002F13 (13PPI), 109-1002F20 (20PPI)
 : 109-1002F30 (30PPI), 109-1002F40 (40PPI)



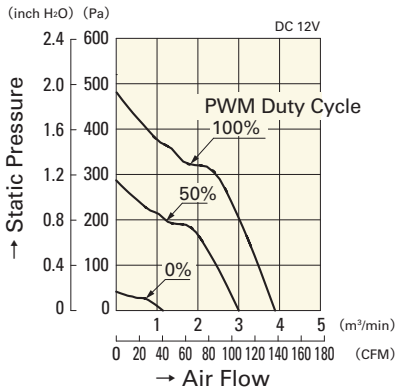
80 mm sq.

San Ace 80

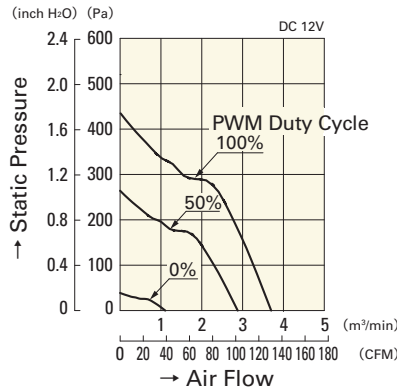
80×80×38mm [Mass : 220g]

Air Flow - Static Pressure Characteristics

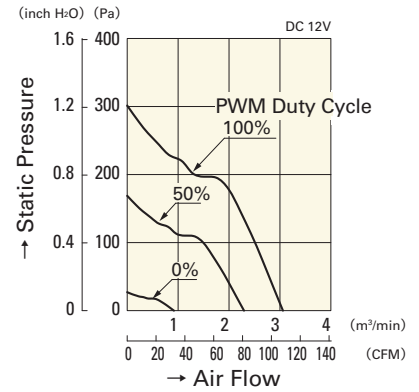
PWM Duty Cycle



9GV0812P1G03(031)

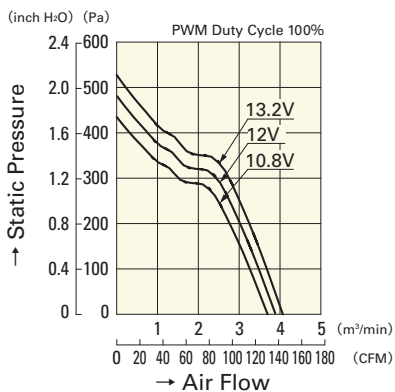


9GV0812P1H03(031)

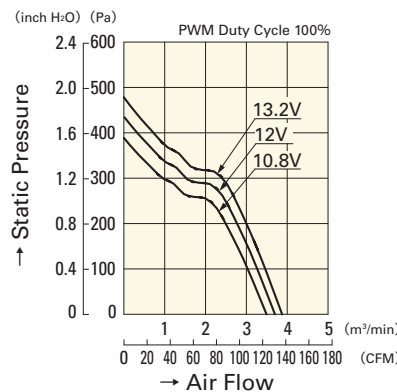


9GV0812P1F03

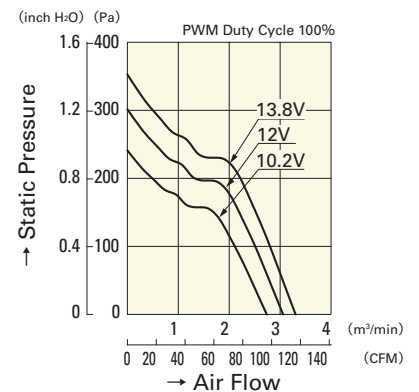
Operating Voltage Range



9GV0812P1G03(031)

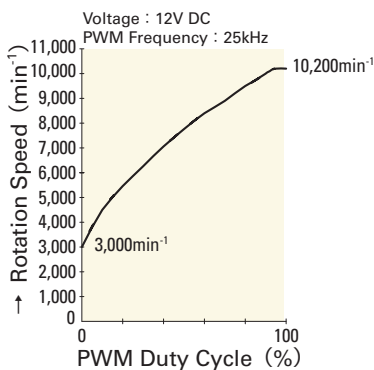


9GV0812P1H03(031)

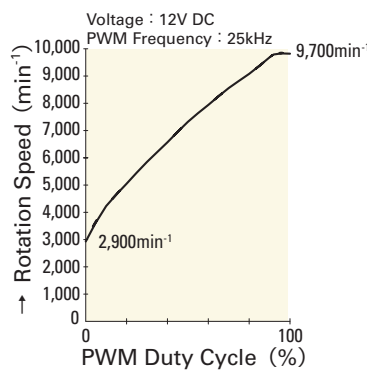


9GV0812P1F03

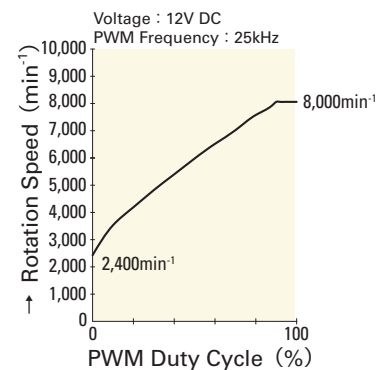
PWM Duty - Speed Characteristics Example



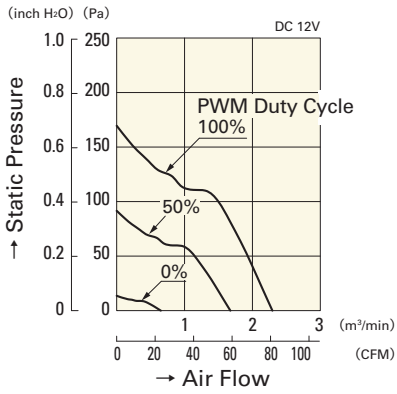
9GV0812P1G03(031)



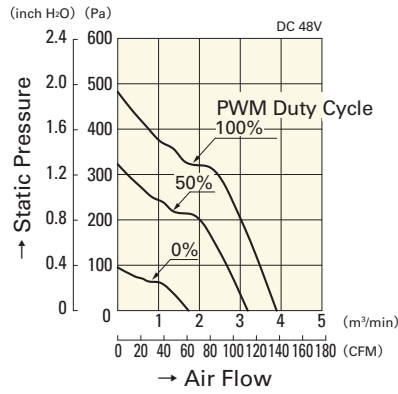
9GV0812P1H03(031)



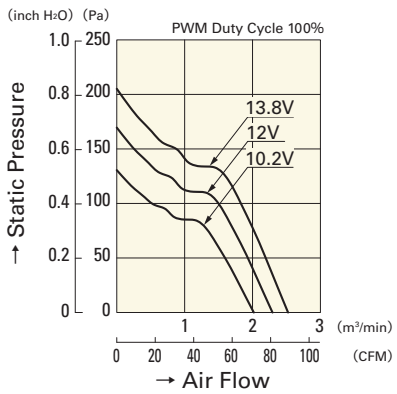
9GV0812P1F03



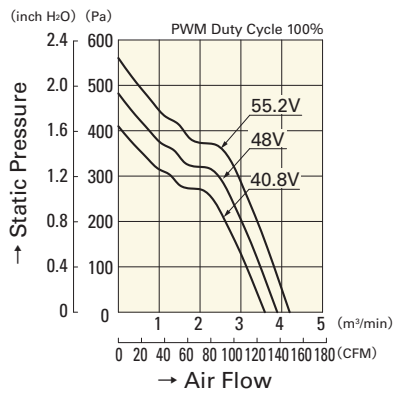
9GV0812P1M03



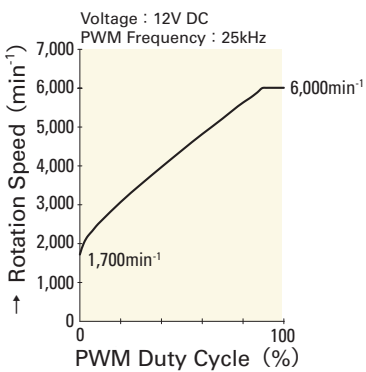
9GV0848P1G03



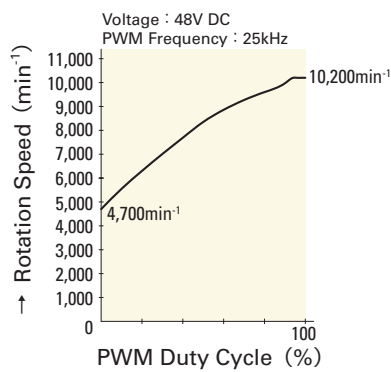
9GV0812P1M03



9GV0848P1G03



9GV0812P1M03



9GV0848P1G03