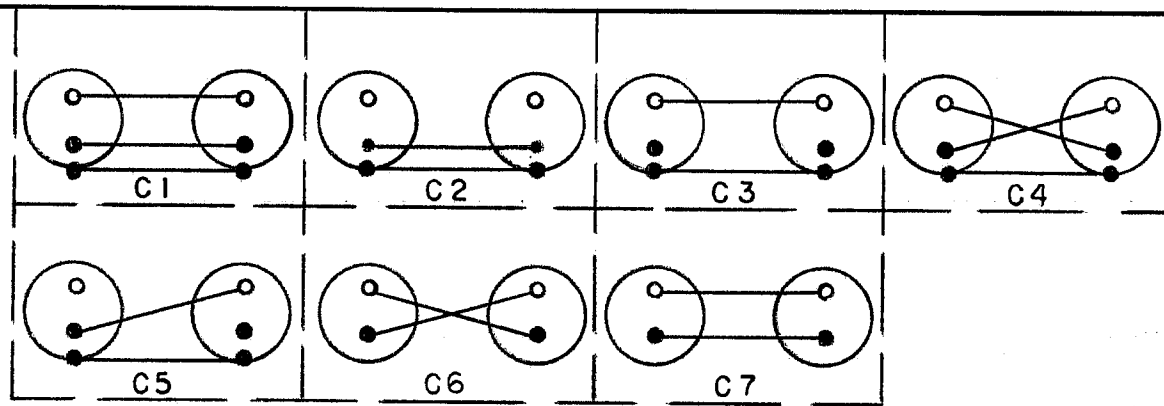
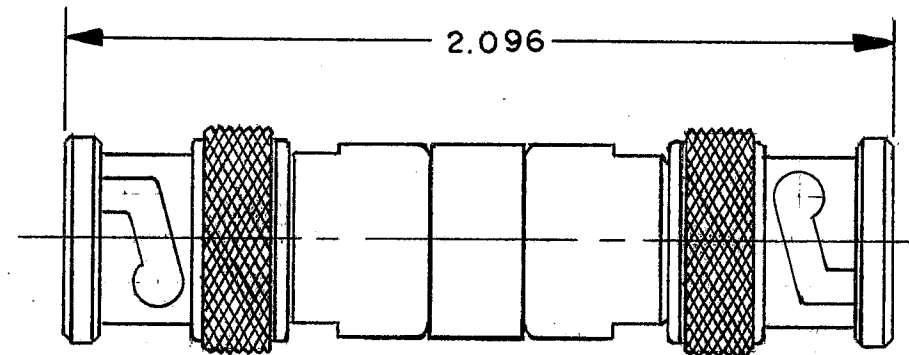
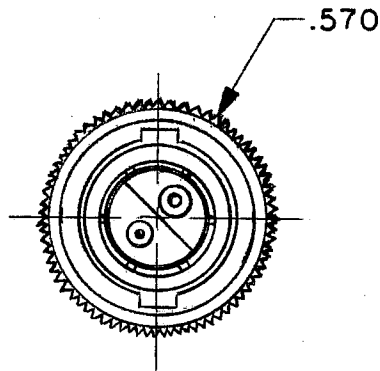


DASH NO	MODEL NO	SCHEM
-1	AD-PL30-C1-PL30	C1
-2	AD-PL30-C2-PL30	C2
-3	AD-PL30-C3-PL30	C3
-4	AD-PL30-C4-PL30	C4
-5	AD-PL30-C5-PL30	C5
-6	AD-PL30-C6-PL30	C6
-7	AD-PL30-C7-PL30	C7



REVISIONS			2005-0019		SH 1
REV	EO	DESCRIPTION	DWN	APPROVED	DATE
B	5269	REV & REDWN, -1 WAS BASIC	RJS	<i>Tm</i>	5-13-81

INCH	MM
.570	14.48
2.096	53.24



3. WITHIN SERIES ADAPTER, MALE TWINAXIAL BNC TYPE TWO-PIN PLUG TO PLUG

2. FINISH: TFS-1A (NICKEL)

1. ALL DIM ARE REF IN INCHES

QTY	DESCRIPTION		PART NUMBER		ITEM
TOL UNLESS SPECIFIED .XX ± .XXX ± .XXXX± ANGLES±			<b>TROMPETER ELECTRONICS, INC.</b>		AD-PL30-C1/C2/C3/C4/ C5/C6/C7-PL30
DWN	RJS	5-8-81	MATERIAL	CODE IDENT	DRAWING NO.
CHK	<i>Tm</i>	5-12-81	—	<b>14949</b>	<b>2005-0019</b>
ENGR					REV
APPR	<i>OT</i>	5-12-81	SCALE 2/1	DATE 11-22-72	SHEET 1 OF 2

NEXT ASSY