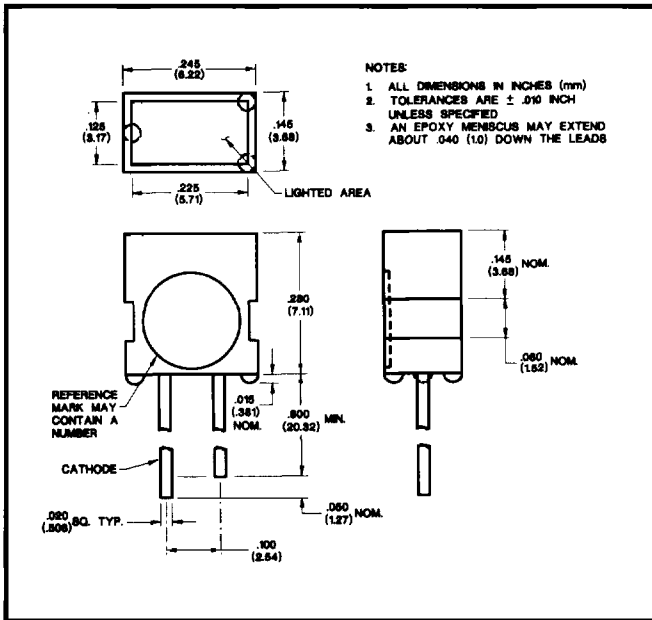




## High Performance Rectangular LED Lamps

### DESCRIPTION AND FEATURES



The CMD5X124A Series of high performance rectangular LED lamps with reflector cap has been engineered for superior light uniformity. Designed for direct viewing and legend backlighting, these lamps are stackable in X or Y direction without crosstalk. The White diffused Green/Red dual chip lamp is produced with GaP/GaP and AlGaAs. The High Efficiency Red and Yellow lamps are produced with GaAsP/GaP and the High Efficiency Green lamp is produced with GaP/GaP. Typical applications include legend backlighting, panel indication and high quality bar graphs.

**4**  
Solid State  
Products

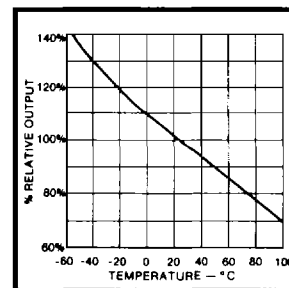
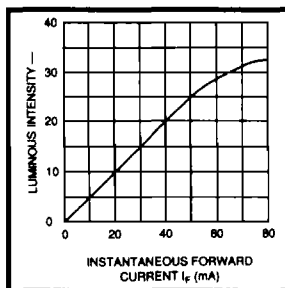
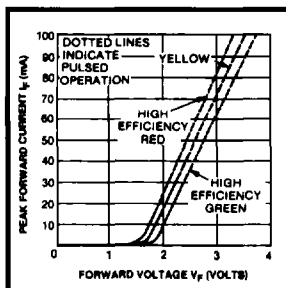
### ELECTRO-OPTICAL CHARACTERISTICS

Part Number	Emitted Color	Lens Color	Lens Type	Luminous Intensity			Forward Voltage			Capacitance pF Vr=0, f=1MHz	Peak Wavelength (nm)	View Angle (Degrees)
				Min. mcd	Typ. mcd	mA	Typ. mA	Max. mA	mA			
CMD53124A	Yellow	Yellow	Diffused	1.0	6.0	20	2.0	3.0	20	—	585	100
CMD54124A	H.E. Green	Green	Diffused	1.0	6.0	20	2.2	3.0	20	—	562	100
CMD57124A	H.E. Red	Red	Diffused	1.0	6.0	20	2.0	3.0	20	—	635	100
CMD49124A	H.E. Green/Red	White	Diffused	1.0	6.0	20	2.2	3.0	20	—	562/660	100

### ABSOLUTE MAXIMUM RATINGS

Power Dissipation.....	120 mW
Storage/Operating Temperature.....	-55°C to +100°C
Lead Solder Time at 260°C.....	5 Seconds
Peak Forward Current (1 micro second pulse, 0.3% duty cycle).....	90 mA
Reverse Voltage (IR = 100µA).....	5.0 V
Average Forward Current.....	30 mA

### TYPICAL CHARACTERISTIC CURVES



Chicago Miniature Lamp reserves the right to make specification revisions that enhance the design and/or performance of the product.