

**SPECIFICATIONS**

**Header Connector**

**HM40 Series**  
**R/A, T/H Type**  
**Plug**  
**3.0mm [.118"] Pitch**

**Mechanical**

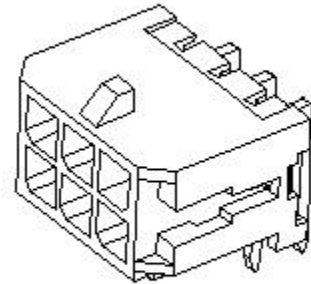
**Contact Retention Force: 0.91Kgf Min.**

**Electrical**

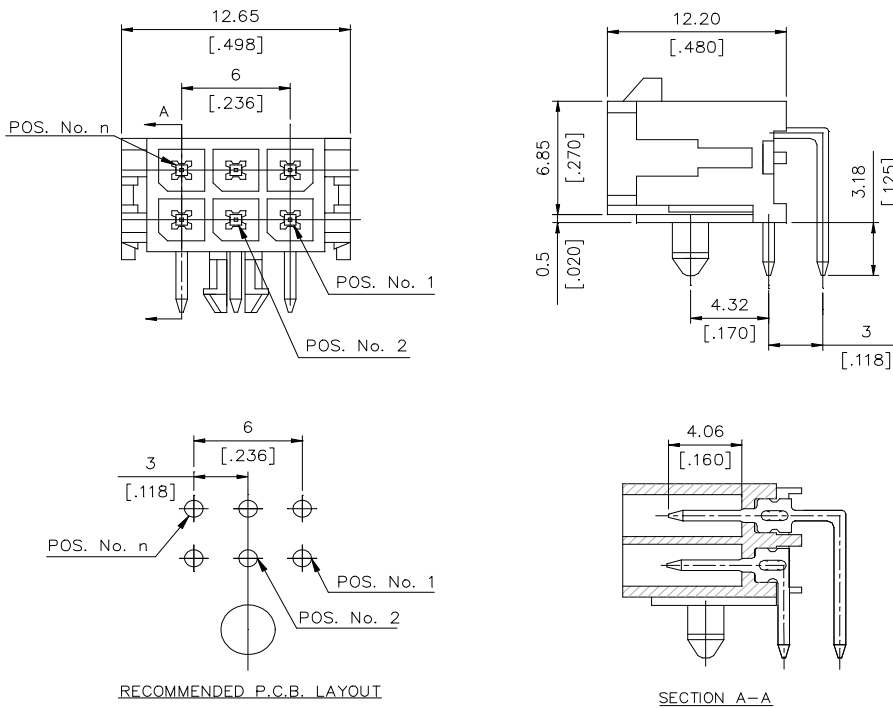
**Voltage Rating: 250V**  
**Current Rating: 5A per pin**  
**Dielectric Withstanding Voltage: 1500 VAC**  
**Insulation Resistance: 1000MΩ min.**

**Physical**

**Housing: Thermoplastic, UL 94V-0 Rating in Black Color**  
**Contact: Brass**  
**Plating: See "ORDERING INFORMATION"**  
**Operating Temperature: -40°C to +105°C**



**DRAWING**



**ORDERING INFORMATION**

PRODUCT No. : HM40 \*\* \*

