

**SPECIFICATIONS**

**Mechanical**

**Contact Retention Force:** 250 gf Min.  
**Mating Force:** 100 gf Max. Per Contact Pair  
**Unmating Force:** 15 gf Min. Per Contact Pair  
**Durability:** 500 Cycles

**Electrical**

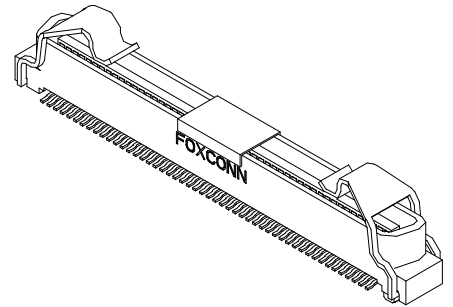
**Voltage Rating:** 250V  
**Current Rating:** 3.0Amps Max In Temp. Rise.  
**Contact Resistance:** 30mΩ max.  
**Dielectric Withstanding Voltage:** 300V AC  
**Insulation Resistance:** 1000MΩ Min.

**Physical**

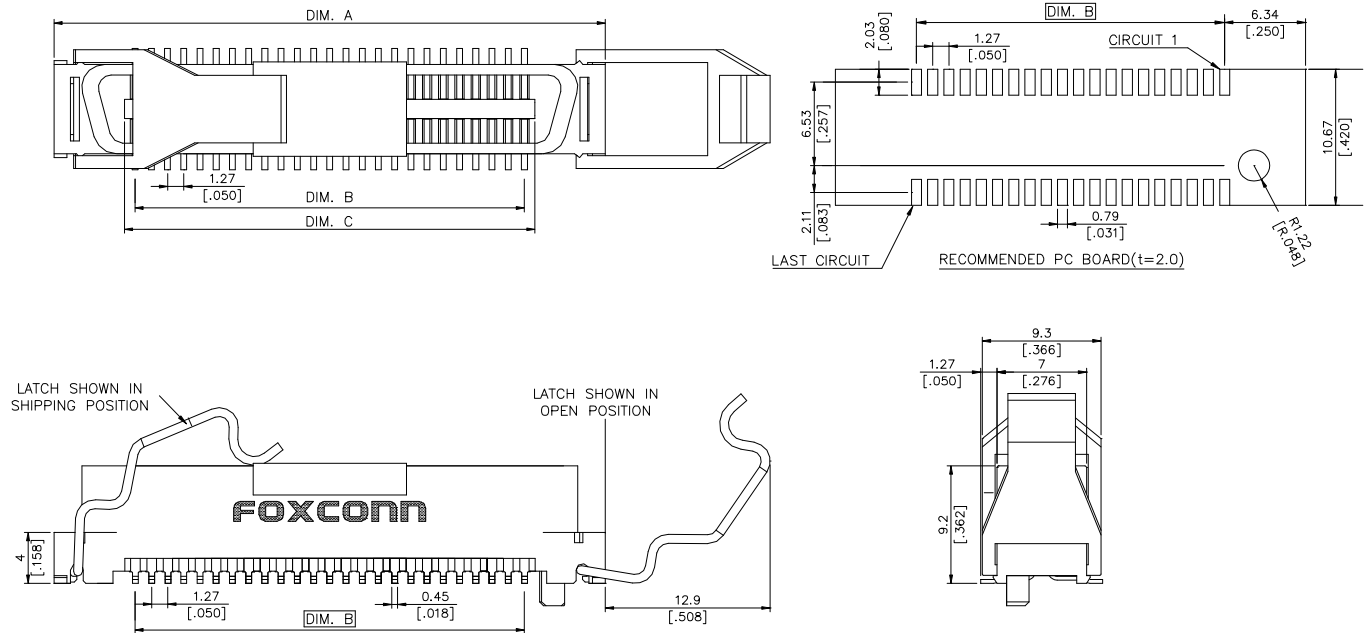
**Housing:** Thermoplastic, UL 94V-0 rated in Black Color  
**Contact:** Phosphor Bronze  
**Plating:** See "ORDERING INFORMATION"  
**Metal Hold Down:** Phosphor Bronze  
**Operating Temperature:** -55°C to +105°C

**FBI Connector**

**LZ12 Series**  
**Vertical, SMT Type**  
**Plug**  
**1.27mm [.050"] Pitch**



**DRAWING**



**ORDERING INFORMATION**

PRODUCT NO. : LZ12 \* \* \* - \* \* \* \* \*  
 25: 50 POS.  
 30: 60 POS.  
 34: 68 POS.  
 40: 80 POS.  
 50: 100 POS.  
 MATING AREA PLATING:  
 H: 30u" GOLD PLATING  
 B12: WITH BOARD LOCK  
 B12N: WITHOUT BOARD LOCK  
 L12N: WITH LATCH  
 R: WITH COVER AND TAPE&REEL PACKAGING  
 T: WITH COVER AND TRAY PACKAGING  
 NONE: WITHOUT COVER AND TRAY PACKAGING  
 P: HOUSING MATERIAL PA9T  
 NONE: HOUSING MATERIAL LCP

LZ1250*-L12R&L12PR	50/100	100	74.90	62.23	63.87
LZ1240*-L12R&L12PR	40/80	80	62.20	49.53	51.17
LZ1234*-L12R&L12PR	34/68	68	54.58	41.91	43.55
LZ1230*-L12R&L12PR	30/60	60	49.50	36.83	38.47
LZ1225*-L12R&L12PR	25/50	50	43.15	30.48	32.12
P/N	POS.	N	DIM. A	DIM. B	DIM. C