



5 mm (.197") CENTER

Approvals: UL - CSA - DIN

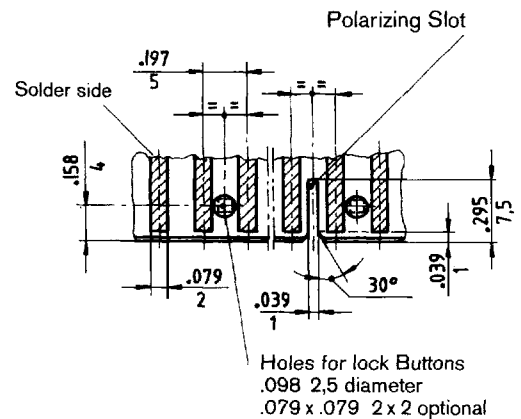
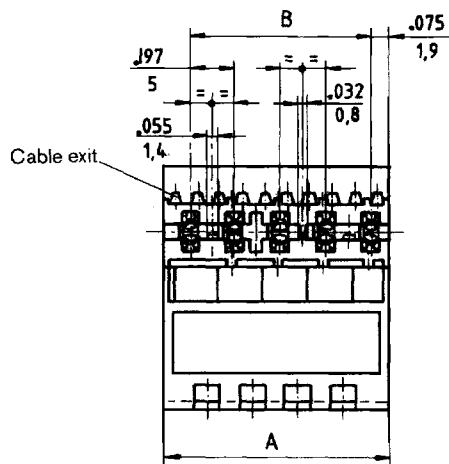
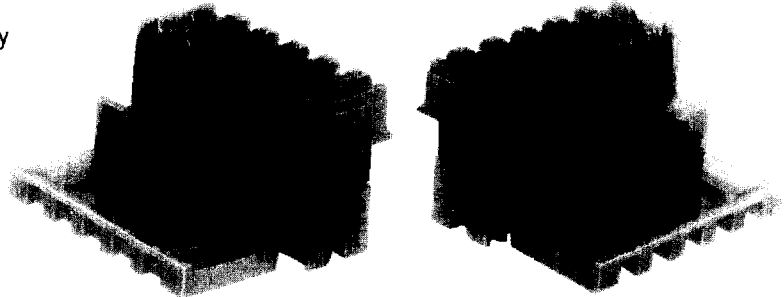
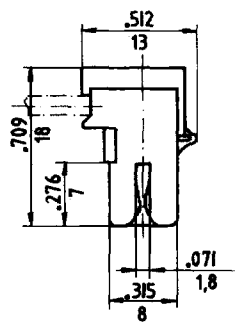
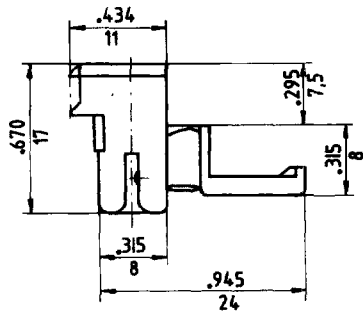
TL 1 Insulation Displacement Connector

Card Edge Type

Features:

- Direct PCB mounting, one piece
- Double IDC slot, 4 contact points
- Designed for economical Automatic assembly

6690 Series



Specifications		Dimensions		Ordering Information	
		A (Inch - mm)	B (Inch - mm)	Pos.	Part Number
Contact spacing:	5 mm (.197")				
Positions:	2 - 12				
Wire size:	AWG 20				
Max. insulation dia.:	2.5 mm (.984")	.394 - 10	.197 - 5	2	MTL 1 F 6692-6-000-202
Type of wire:	Solid or stranded	.591 - 15	.394 - 10	3	MTL 1 F 6693-6-000-303
Materials		.787 - 20	.591 - 15	4	MTL 1 F 6694-6-000-404
Insulator:	Polyamid 6.6/PESU UL 94 V-O	.984 - 25	.787 - 20	5	MTL 1 F 6695-6-000-505
Contacts Socket:	Phosphor bronze tin plated	1.181 - 30	.984 - 25	6	MTL 1 F 6696-6-000-606
Pin:	Brass tin plated	1.378 - 35	1.181 - 30	7	MTL 1 F 6697-6-000-707
Polarisation/coding:	Integrated	1.575 - 40	1.378 - 35	8	MTL 1 F 6698-6-000-808
Contact resistance:	< 5 m Ω	1.772 - 45	1.575 - 40	9	MTL 1 F 6699-6-000-909
Insulation resistance:	< 10 ⁹ Ω	1.969 - 50	1.772 - 45	10	MTL 1 F 6700-6-000-1010
Smallest creepage distance:	≥ 3 mm (.118")	2.165 - 55	1.969 - 50	11	MTL 1 F 6701-6-000-1111
Circuit board thickness:	1.5 ± 0.14 mm (.059" ± .006")	2.362 - 60	2.165 - 55	12	MTL 1 F 6702-6-000-1212
Operating temperature:	- 40° F to + 221° F - 40° C to + 105° C				
Max. current load:	6 A/140° F (60° C)				
Nom. voltage:	250 V _{eff}				