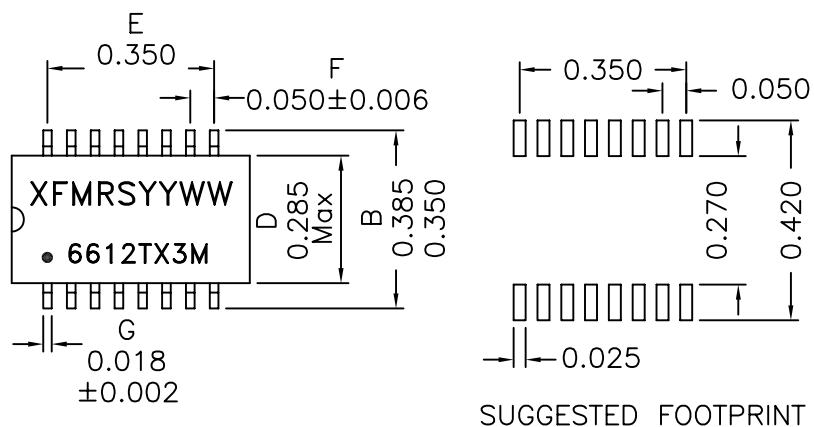
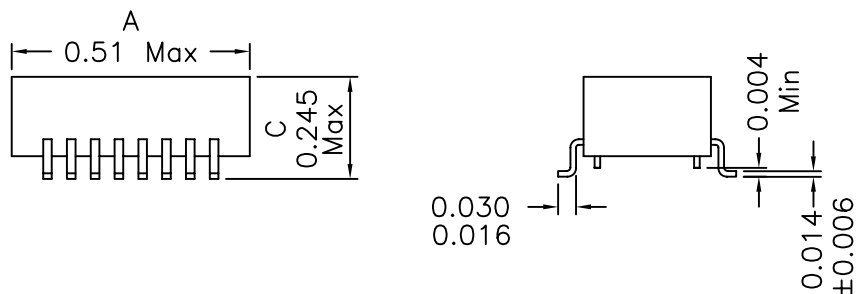


## 1. Mechanical Dimensions:

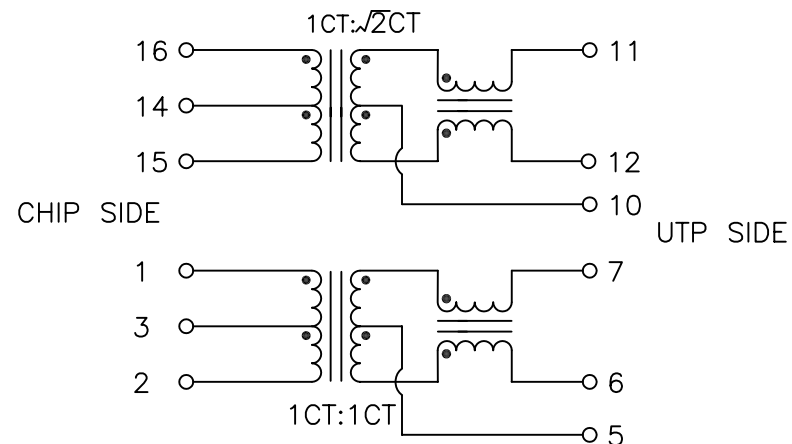


### Notes:

- Solderability: Leads shall meet MIL-STD-202G, Method 208H for solderability.
- Flammability: UL94V-0
- ASTM oxygen index: > 28%
- Insulation System: Class F 155°C. UL file E151556
- Operating Temperature Range: All listed parameters are to be within tolerance from -40°C to +85°C
- Storage Temperature Range: -55°C to +125°C
- Aqueous wash compatible
- SMD Lead Coplanarity: ±0.004"(0.102mm)
- Electrical and mechanical specifications 100% tested
- RoHS Compliant Component

DOC REV: C/5

## 2. Schematic:



## 3. Electrical Specifications: @25°C

UTP Impedance: 100 OHMS  
 Turns Ratio: TX : 1CT:1.4CT (±2%) RX : 1CT:1CT (±2%)  
 Isolation Voltage: 1500 Vrms (Input to Output)  
 UTP Side OCL: 350uH Minimum @100KHz, 100mV 8mADC  
 Rise Time (10-90%): 2.0ns Typical  
 Insertion Loss (1M-100MHz): 1.0dB Maximum  
 Return Loss(5-100MHz): 12dB Minimum  
 CMRR (1-100MHz): 40dB Typical  
 Crosstalk Attenuation: 30dB Minimum

<b>XFMR INC</b> www.XFMR.com		Title: 10/100 BASE MAGNETIC MODULE		
UNLESS OTHERWISE SPECIFIED		P/N: XF6612TX3M		REV. C
TOLERANCES: .xxx ±0.010		DWN.	Xian yi	Dec-28-09
Dimensions in Inch		CHK.	YK Liao	Dec-28-09
SHEET 1 OF 1		APP.	BW	Dec-28-09

**PROPRIETARY**

Document is the property of XFMR Group & is not allowed to be duplicated without authorization.